



US00D734169S

(12) **United States Design Patent**
Harper

(10) **Patent No.:** **US D734,169 S**

(45) **Date of Patent:** **** Jul. 14, 2015**

(54) **CIGAR PACKAGE**

(71) Applicant: **PRINTPACK ILLINOIS, INC.**, Elgin, IL (US)

(72) Inventor: **Terrence P. Harper**, Alpharetta, GA (US)

(73) Assignee: **Printpack Illinois, Inc.**, Elgin, IL (US)

(**) Term: **14 Years**

(21) Appl. No.: **29/469,895**

(22) Filed: **Oct. 15, 2013**

(51) **LOC (10) Cl.** **09-03**

(52) **U.S. Cl.**
USPC **D9/756**

(58) **Field of Classification Search**

USPC D9/756, 737, 748, 749, 754, 755, 700, D9/686, 688, 689, 390, 424, 425, 434, 435, D9/454, 456, 416, 426, 428, 429, 430, 432, D9/759, 760, 761; D3/201, 203.1, 203.2, D3/203.3, 203.4, 203.5, 203.6, 203.7, D3/203.8, 205, 273, 275, 294, 302; 206/228, 354, 553, 557, 541, 775, 776, 206/119, 470, 508, 521.1, 545; D7/509, D7/513, 354, 392.1, 394, 396.1, 538, D7/543-545, 550.1, 551, 554.3, 587, 566, D7/575, 584, 586, 619, 629, 667; D24/104, 226, 230; 229/400-406, 932, 229/906.1; D27/187, 189
CPC B65D 77/24; B65D 77/0433; B65D 81/3862; B65D 1/34; B65D 81/3813; B65D 5/48; B65D 5/48024; B65D 5/5069; B65D 25/00; B65D 85/08; B65D 85/1018; B65D 85/12; B65D 35/00

See application file for complete search history.

(56) **References Cited**

U.S. PATENT DOCUMENTS

D23,579	S	*	8/1894	Walters	D27/189
D26,729	S	*	3/1897	Jacques	D9/755
961,692	A	*	6/1910	Gilfillian	229/87.12
1,076,007	A	*	10/1913	Gilfillian	229/87.12
1,076,008	A	*	10/1913	Gilfillian	229/87.12
1,430,637	A	*	10/1922	Gaede	206/256
1,458,585	A	*	6/1923	McCrosson	206/274
2,005,039	A	*	6/1935	Kayner	206/258
2,275,761	A	*	3/1942	Hoffmann	206/261
D147,120	S	*	7/1947	Dietrich	D27/187
D154,682	S	*	8/1949	Hoag	D9/756
D155,932	S	*	11/1949	Shepard	D9/737
D166,492	S	*	4/1952	Randall	D9/756
D166,493	S	*	4/1952	Randall	D9/756
D172,663	S	*	7/1954	Despres	D9/456
2,885,071	A	*	5/1959	Rodnon	206/258
2,897,962	A	*	8/1959	Zackheim	206/369
3,121,492	A	*	2/1964	De Paul et al.	206/264

(Continued)

Primary Examiner — Susan Bennett Hattan

Assistant Examiner — Marie Fast Horse

(74) *Attorney, Agent, or Firm* — Sutherland Asbill & Brennan LLP

(57)

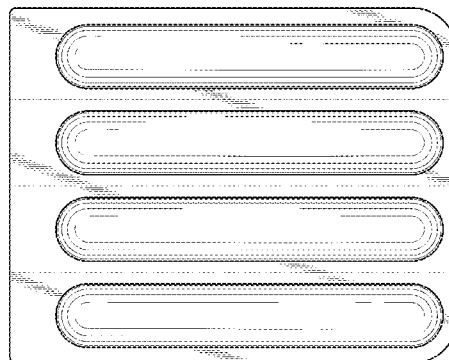
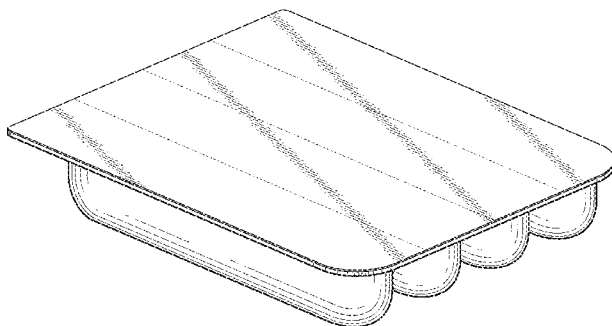
CLAIM

The ornamental design for a cigar package, as shown and described.

DESCRIPTION

FIG. 1 is a forward upper perspective view of a cigar package according to my new design;
FIG. 2 is a forward side view thereof;
FIG. 3 is a top view thereof;
FIG. 4 is a side view thereof;
FIG. 5 is a bottom view thereof;
FIG. 6 is a forward upper perspective view thereof illustrating partial removal of a peel away covering; and,
FIG. 7 is a forward upper perspective view thereof illustrating separation of a portion of the cigar package.
The broken lines are directed to the perforated parts of the cigar package and form no part of the claimed design.

1 Claim, 4 Drawing Sheets



(56)

References Cited

U.S. PATENT DOCUMENTS

D202,529 S * 10/1965 Rosebrook D15/90
 3,214,009 A * 10/1965 Tamarin 206/250
 3,216,832 A * 11/1965 King 53/405
 3,270,877 A * 9/1966 Hecker 206/564
 3,325,000 A * 6/1967 Edwards 206/256
 3,371,775 A * 3/1968 Butler 206/258
 D212,411 S * 10/1968 Schelmetic D9/456
 D215,823 S * 11/1969 Bridgford D9/456
 3,676,159 A * 7/1972 Fallowfield 206/205
 3,809,221 A * 5/1974 Compere 206/531
 D247,425 S * 3/1978 Cordell, Jr. D9/756
 4,173,978 A * 11/1979 Brown 604/3
 4,218,155 A * 8/1980 Weidner 401/132
 4,232,787 A * 11/1980 Holiday 206/443
 D262,095 S * 12/1981 Takahashi D9/700
 4,342,395 A * 8/1982 Brown 206/530
 RE31,571 E * 5/1984 Mann 206/443
 D273,765 S * 5/1984 Cillario D9/761
 D274,098 S * 5/1984 Kaufman D24/119
 D274,693 S * 7/1984 Cruz D9/756
 D330,855 S * 11/1992 Demopoulos D9/415
 D336,406 S * 6/1993 Wytiuk D7/504
 D353,765 S * 12/1994 Kocis et al. D9/761
 D361,936 S * 9/1995 Bankier D9/456
 D370,177 S * 5/1996 Bankier D9/456
 5,586,657 A * 12/1996 Ward et al. 206/705
 D383,495 S * 9/1997 Mollet D19/85
 5,749,461 A * 5/1998 Guzman 206/245
 5,820,904 A * 10/1998 Mello et al. 426/119
 D404,887 S * 2/1999 Prins D1/129
 D417,146 S * 11/1999 St. Pierre et al. D9/732
 D423,344 S * 4/2000 Kumakura et al. D9/415
 D424,941 S * 5/2000 Boutour D9/456
 D430,013 S * 8/2000 Shurtleff et al. D9/749
 6,116,420 A * 9/2000 Hall et al. 206/380

6,413,599 B1 * 7/2002 Petricca et al. 428/35.7
 6,427,841 B2 * 8/2002 Wani et al. 206/705
 6,499,595 B1 * 12/2002 Petricca 206/356
 6,516,949 B2 * 2/2003 Fuller et al. 206/530
 D478,810 S * 8/2003 Wilson D9/732
 D479,125 S * 9/2003 Kumakura et al. D9/415
 D479,126 S * 9/2003 Kumakura et al. D9/415
 D479,688 S * 9/2003 Kumakura et al. D9/457
 D482,970 S * 12/2003 Kumakura et al. D9/457
 D506,396 S * 6/2005 Raile D9/756
 D508,398 S * 8/2005 Lee et al. D9/415
 D510,804 S * 10/2005 Horman D3/304
 D523,751 S * 6/2006 Vetrano D9/456
 D535,054 S * 1/2007 Zilberman D27/189
 D536,261 S * 2/2007 Raile D9/756
 D543,866 S * 6/2007 Mikkelsen D9/732
 D573,303 S * 7/2008 Fuente D27/189
 D575,148 S * 8/2008 Sagel D9/761
 D580,788 S * 11/2008 Scholefield D9/756
 D636,219 S * 4/2011 Cornu et al. D7/354
 D649,886 S * 12/2011 Ocampo D9/748
 D655,165 S * 3/2012 Jensen et al. D9/456
 D660,719 S * 5/2012 McDermott et al. D9/707
 D665,250 S * 8/2012 Kirk et al. D9/416
 D669,367 S * 10/2012 McDermott et al. D9/707
 D671,146 S * 11/2012 Kathmann D15/21
 D676,334 S * 2/2013 McDermott et al. D9/707
 D682,710 S * 5/2013 McDermott et al. D9/707
 D685,651 S * 7/2013 Hjalmarsson D9/732
 D703,551 S * 4/2014 Kirchmayr et al. D9/732
 D714,161 S * 9/2014 Crawford et al. D9/707
 D719,719 S * 12/2014 Grolimund D1/121
 8,919,544 B2 * 12/2014 Lee 206/45.24
 D725,264 S * 3/2015 Zhang et al. D24/133
 2010/0065562 A1 * 3/2010 Vovan 220/23.4
 2011/0139646 A1 * 6/2011 Sonnenberg 206/352
 2012/0042883 A1 * 2/2012 Hillard 131/58

* cited by examiner

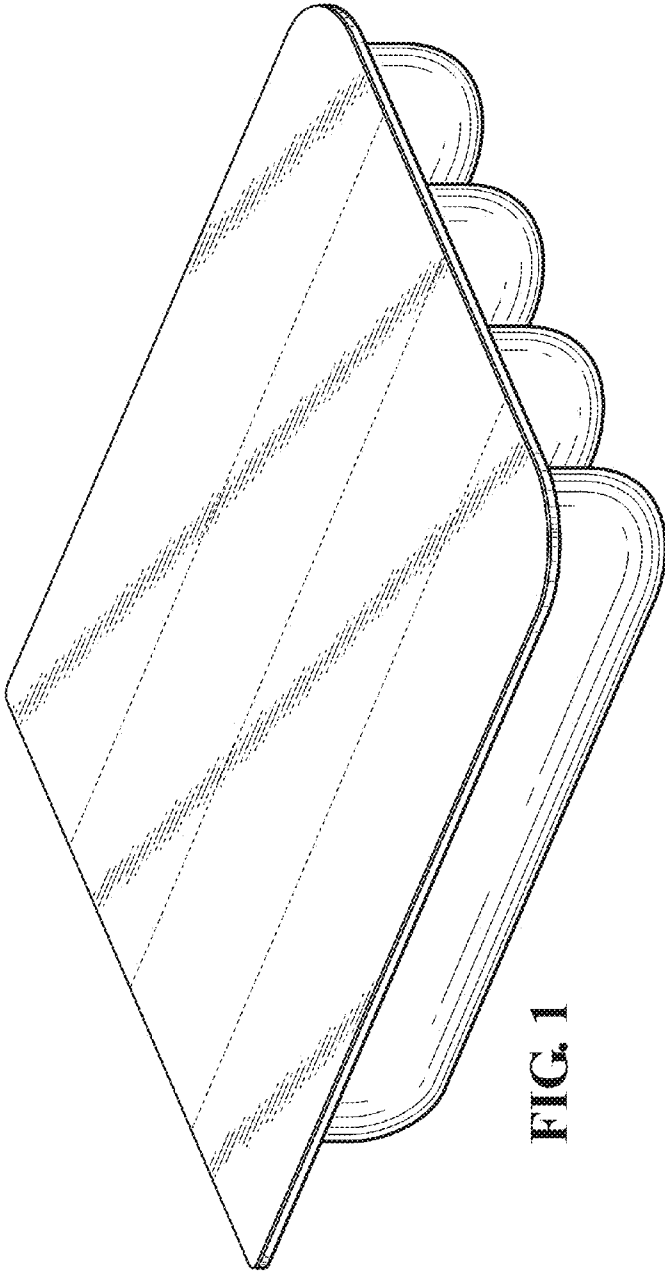


FIG. 1

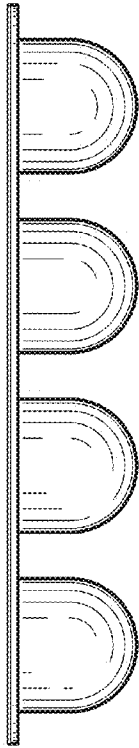


FIG. 2

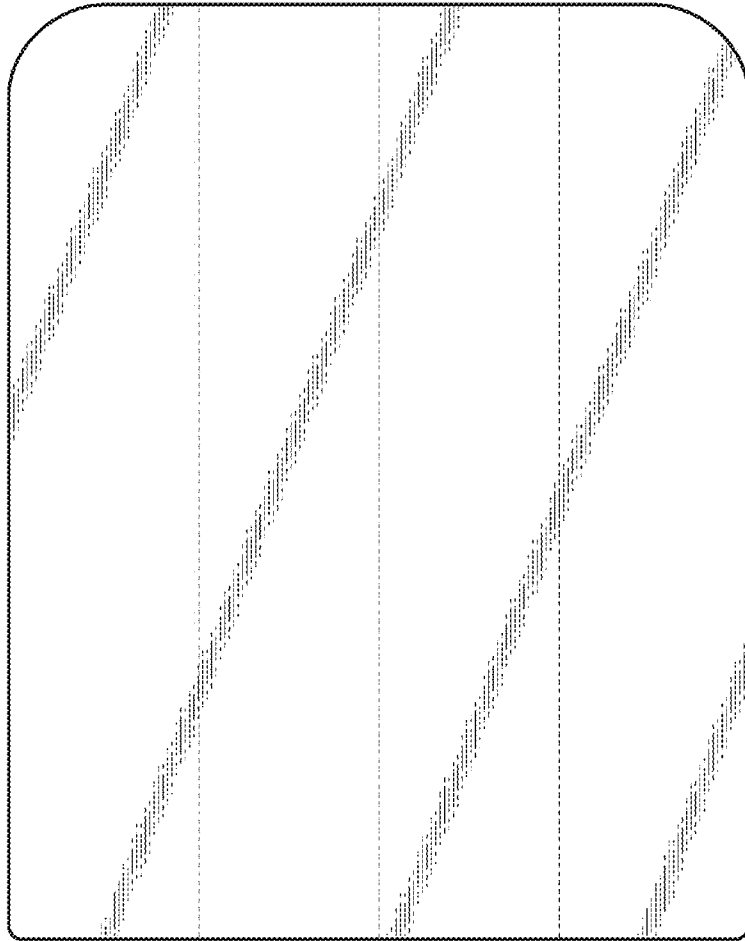


FIG. 3

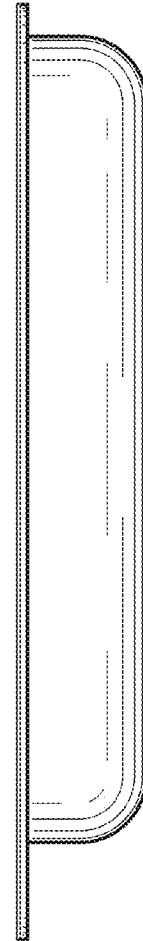


FIG. 4

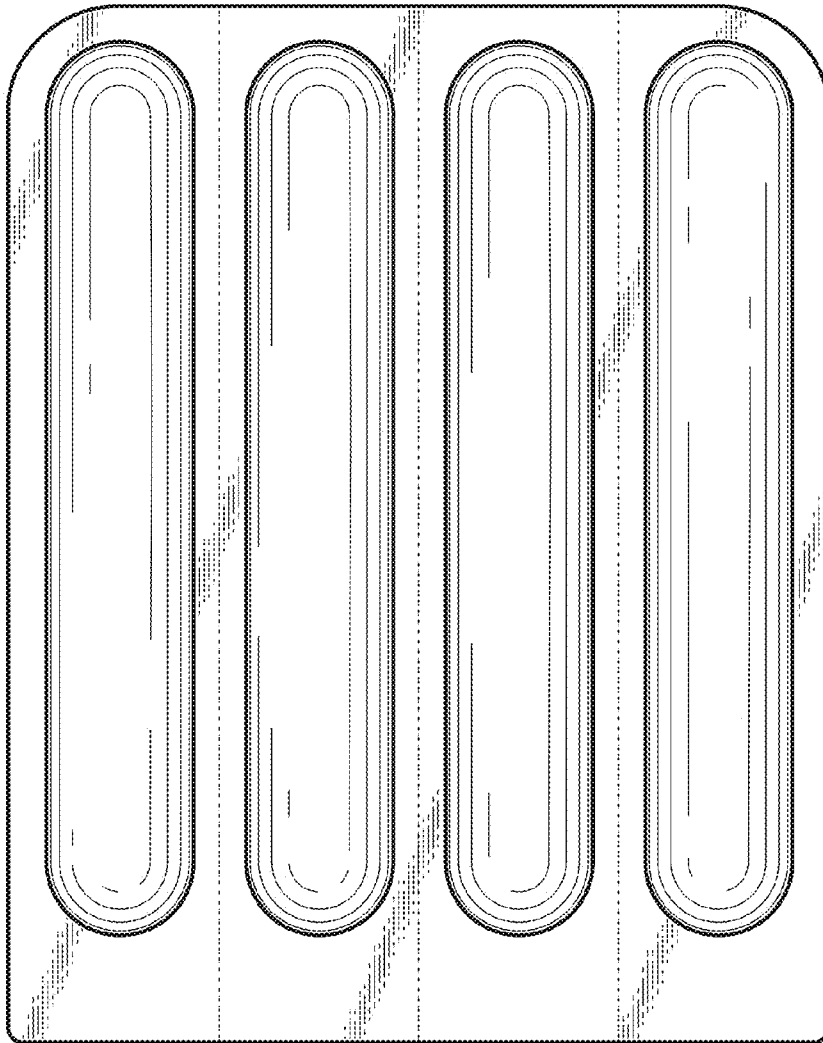


FIG. 5

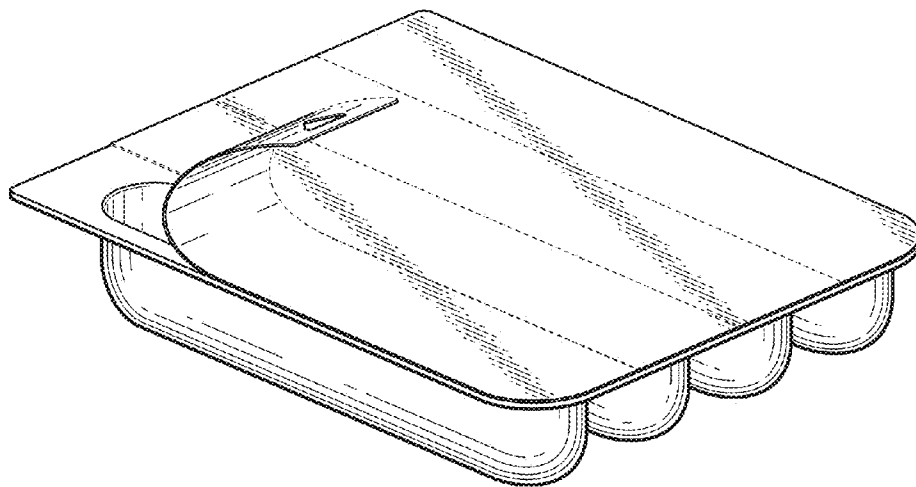


FIG. 6

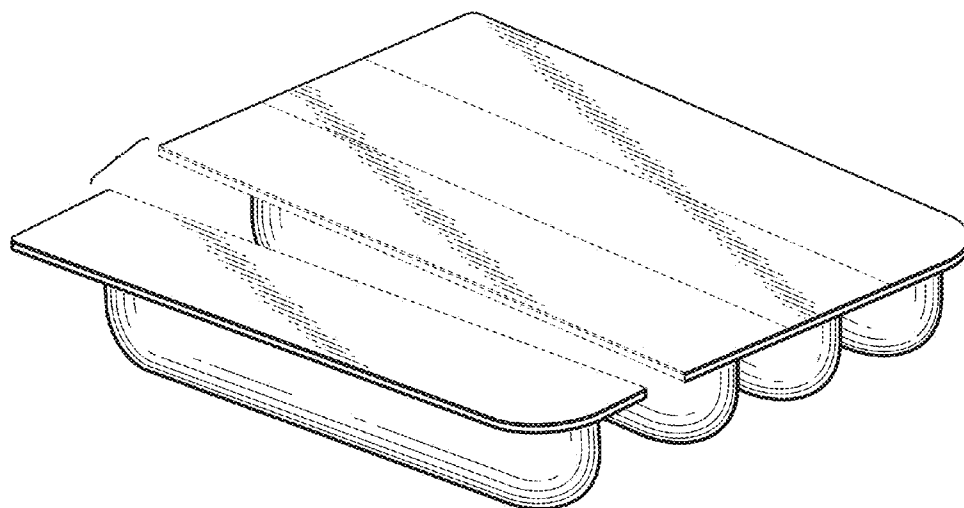


FIG. 7