



US00D392005S

# United States Patent [19] Piaget

[11] Patent Number: Des. 392,005  
[45] Date of Patent: \*\*Mar. 10, 1998

[54] **STRIDING EXERCISE DEVICE**  
[76] Inventor: **Gary D. Piaget**, 3390 American  
Saddler Dr., Park City, Utah 84060  
[\*\*] Term: **14 Years**  
[21] Appl. No.: **66,471**  
[22] Filed: **Feb. 13, 1997**  
[51] LOC (6) Cl. .... **21-02**  
[52] U.S. Cl. .... **D21/191**  
[58] **Field of Search** ..... 482/51, 52, 68,  
482/71, 54, 53, 148; D21/191, 192, 193,  
194, 195

5,496,235 3/1996 Stevens ..... 482/52  
5,575,740 11/1996 Piaget et al. .... 482/70  
5,584,780 12/1996 Lin ..... 482/52  
5,584,781 12/1996 Chen ..... 482/52  
5,603,675 2/1997 Wu ..... 482/52  
5,605,521 2/1997 Hsieh ..... 482/52  
5,643,140 7/1997 Tsai ..... 482/52  
5,643,141 7/1997 Lee ..... 482/52

*Primary Examiner*—Philip S. Hyder  
*Attorney, Agent, or Firm*—Salter & Michaelson

### [57] CLAIM

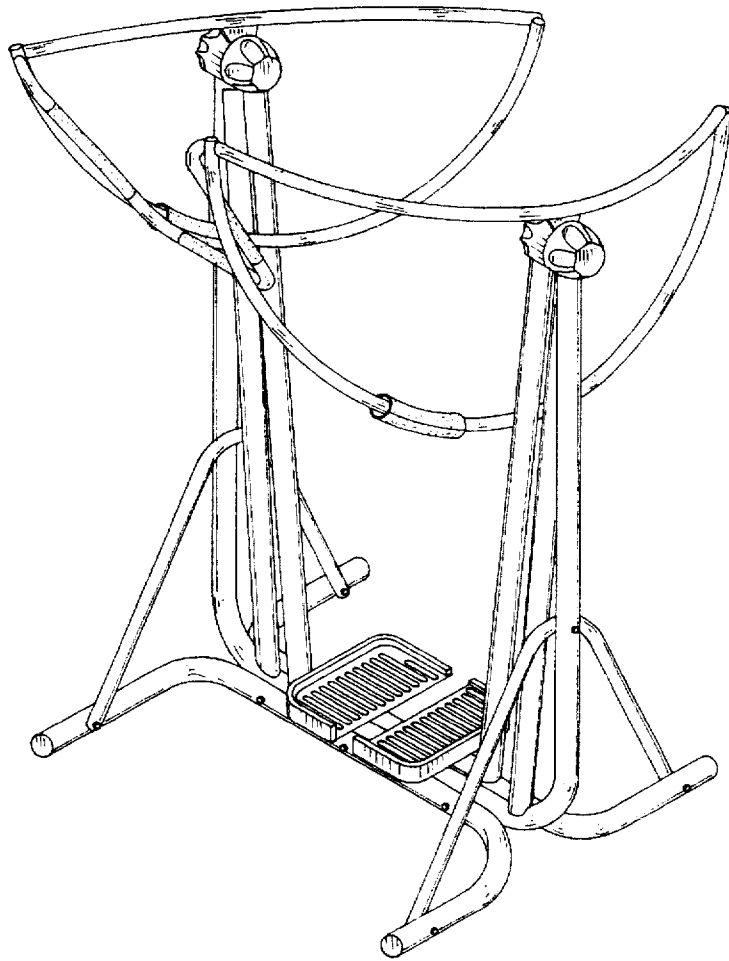
The ornamental design for a striding exercise device, as shown.

### DESCRIPTION

FIG. 1 is a perspective view showing my new design for a striding exercise device;  
FIG. 2 is a right side view thereof;  
FIG. 3 is a left side view thereof;  
FIG. 4 is a front view thereof;  
FIG. 5 is a rear view thereof;  
FIG. 6 is a top view thereof; and  
FIG. 7 is a bottom view thereof.

[56] **References Cited**  
**U.S. PATENT DOCUMENTS**  
D. 378,841 4/1997 Huang ..... D21/191  
4,529,194 7/1985 Haaheim .  
4,632,385 12/1986 Geraci .  
5,000,443 3/1991 Dalebout et al. .  
5,147,257 9/1992 Loane ..... 482/71  
5,232,423 8/1993 Hajduczek ..... 482/68  
5,336,141 8/1994 Vittone ..... 482/51  
5,419,747 5/1995 Piaget et al. .... 482/51

**1 Claim, 4 Drawing Sheets**



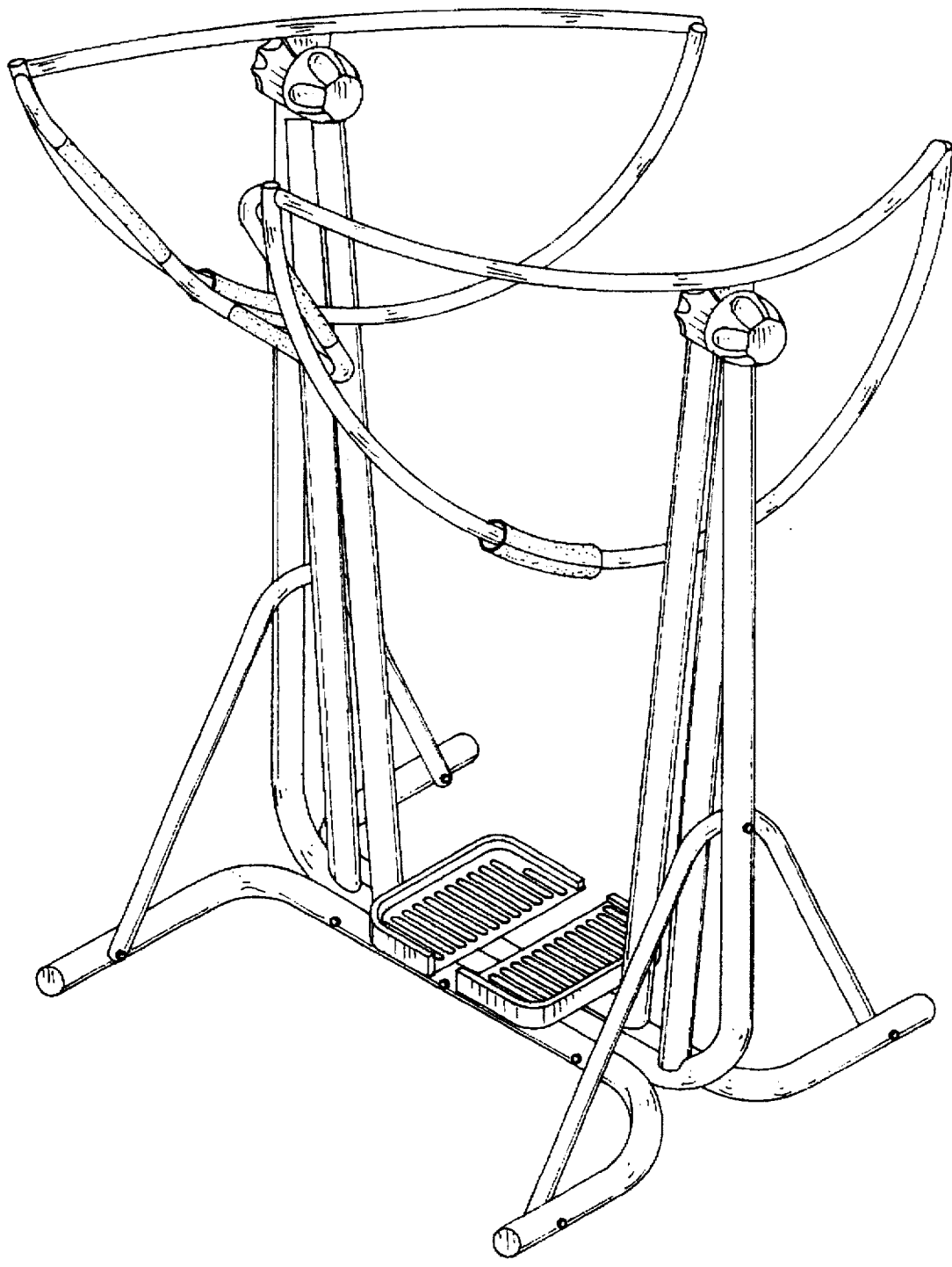


FIG. 1

FIG. 2

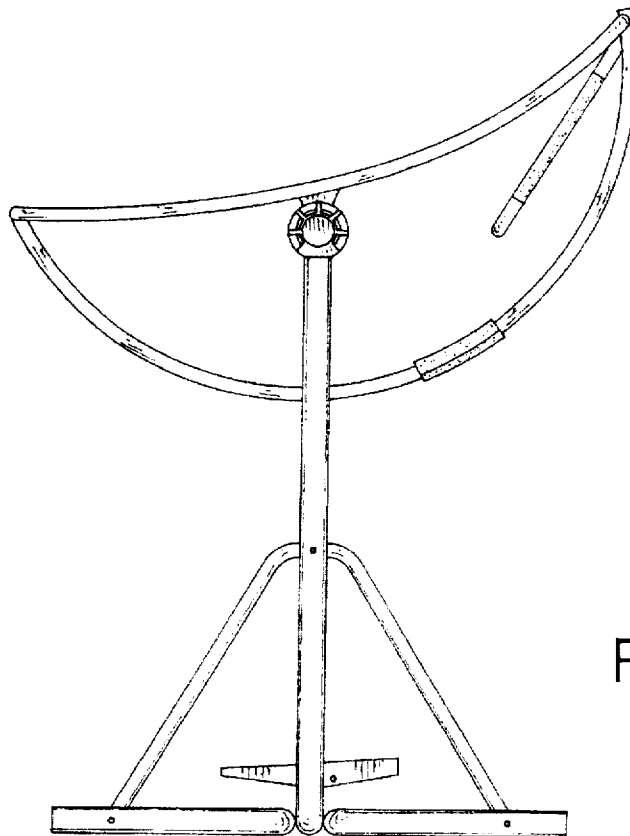
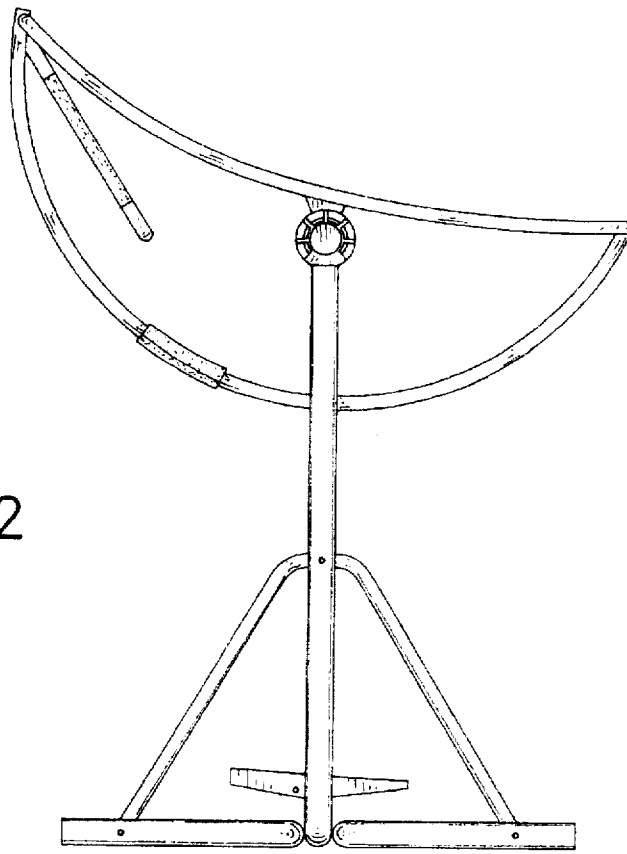


FIG. 3

FIG. 4

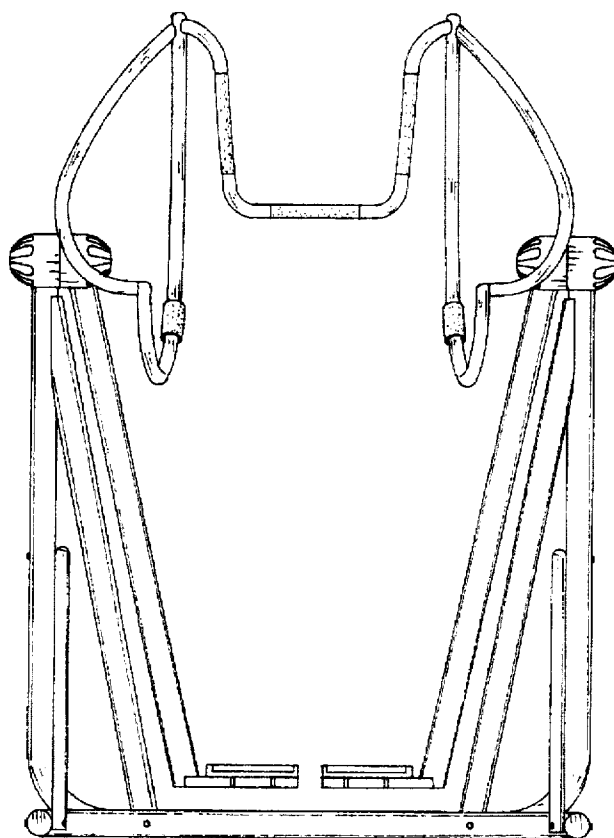
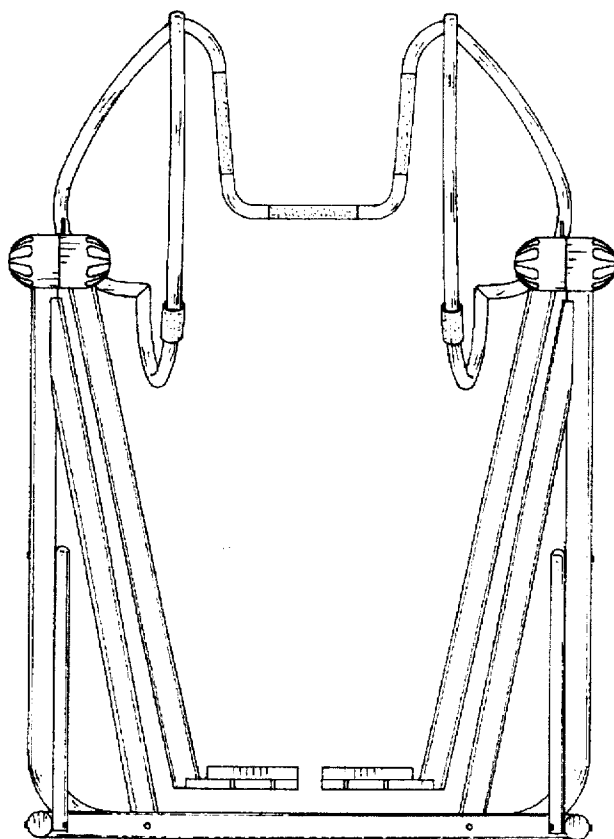


FIG. 5

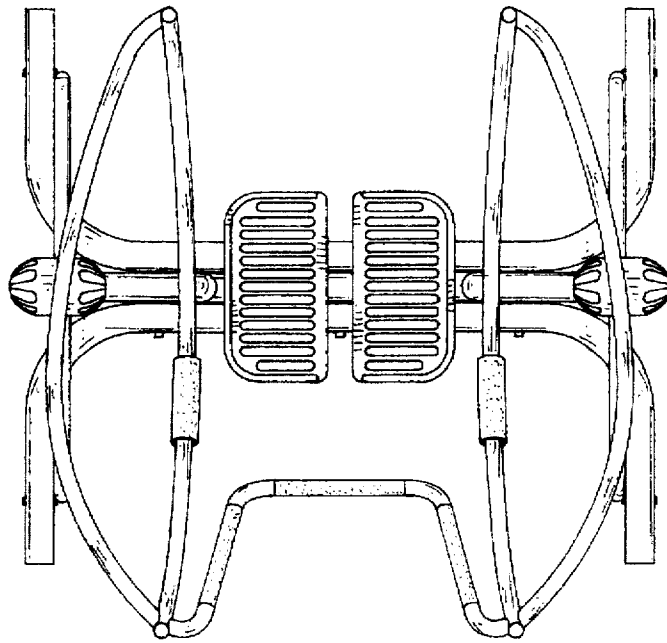


FIG. 6

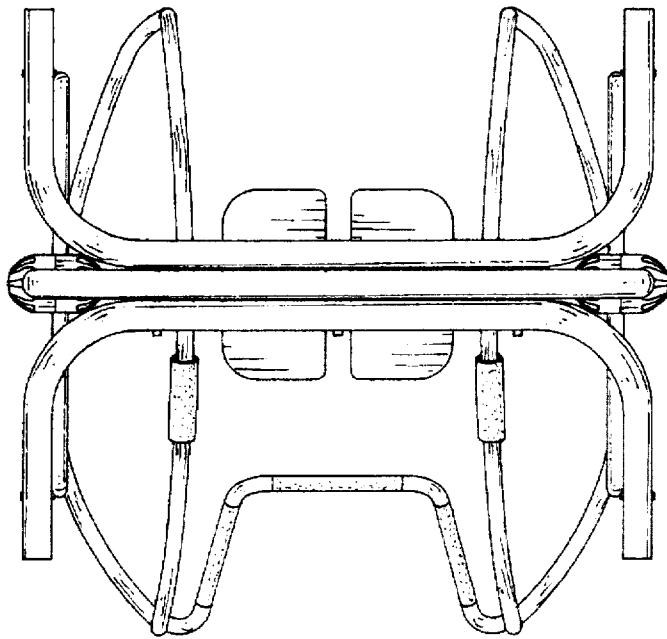


FIG. 7