



US00D535482S

(12) **United States Design Patent**
Jackson

(10) **Patent No.:** **US D535,482 S**

(45) **Date of Patent:** **** Jan. 23, 2007**

(54) **SPINNING HOOK**

(75) Inventor: **Timothy A. Jackson**, Winston-Salem, NC (US)

(73) Assignee: **Liberty Hardware Mfg. Corp.**, Winston-Salem, NC (US)

(**) Term: **14 Years**

(21) Appl. No.: **29/208,018**

(22) Filed: **Jun. 23, 2004**

(51) **LOC (8) Cl.** **06-08**

(52) **U.S. Cl.** **D6/323**

(58) **Field of Classification Search** D6/315,
D6/320, 322-323; D8/352, 367, 372-373,
D8/354; D23/289, 291, 238-257, 284; 248/304,
248/309.1, 309.2

See application file for complete search history.

(56) **References Cited**

U.S. PATENT DOCUMENTS

D416,139 S * 11/1999 Roth et al. D6/323

D463,142 S * 9/2002 Chou D6/323
D465,661 S * 11/2002 Hoernig D6/323
D490,142 S * 5/2004 Ouyoung D23/241
D499,329 S * 12/2004 Suero, Jr. D8/372
D521,615 S * 5/2006 Cen et al. D23/289

* cited by examiner

Primary Examiner—Catherine R. Oliver

(74) *Attorney, Agent, or Firm*—Edgar A. Zarins; Lloyd D. Doigan

(57) **CLAIM**

The ornamental design for a spinning hook, as shown and described.

DESCRIPTION

FIG. 1 is a perspective view of a spinning hook showing my new design;

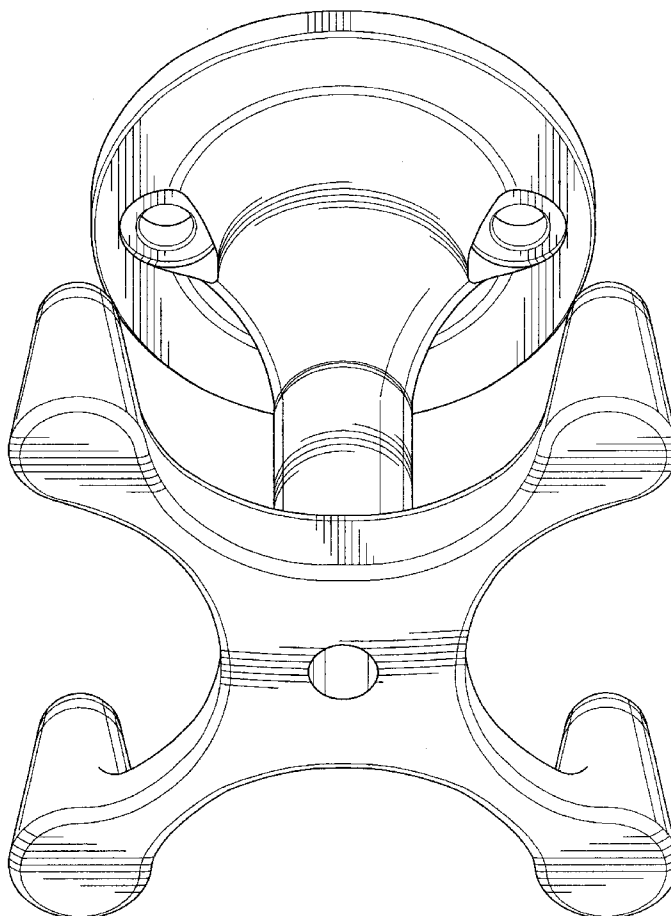
FIG. 2 is a side view thereof;

FIG. 3 is an opposite side view thereof;

FIG. 4 is a bottom view thereof; and,

FIG. 5 is a top view thereof.

1 Claim, 3 Drawing Sheets



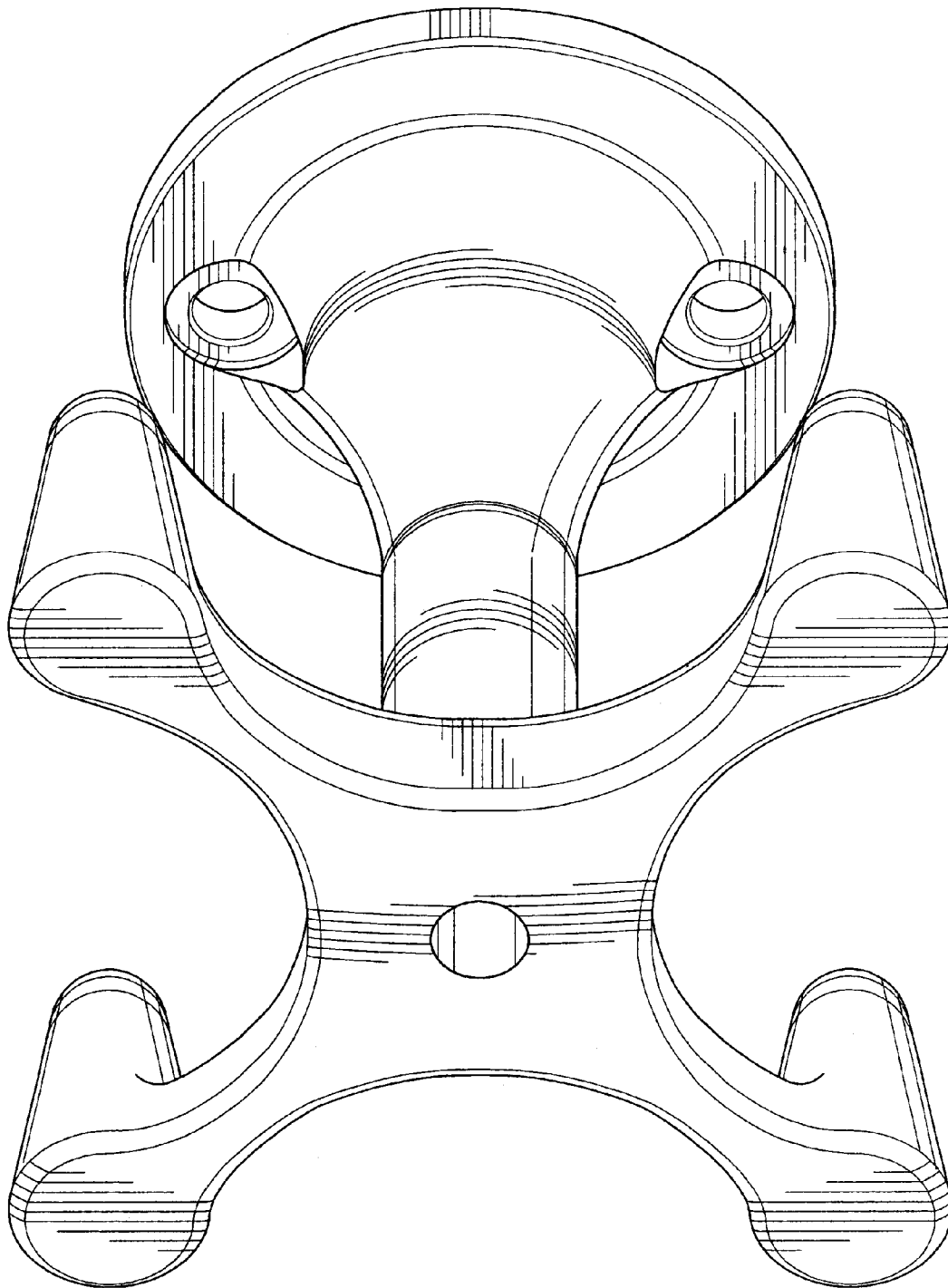


Fig-1

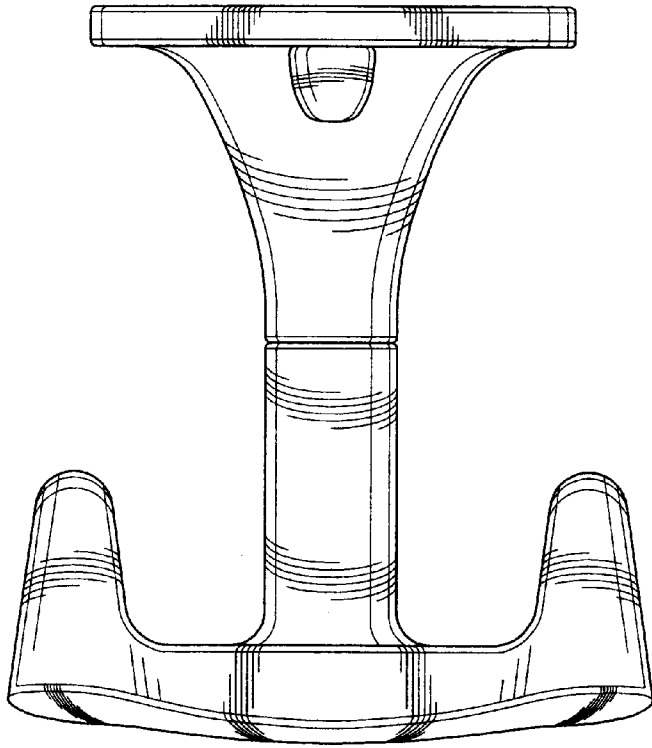


Fig-2

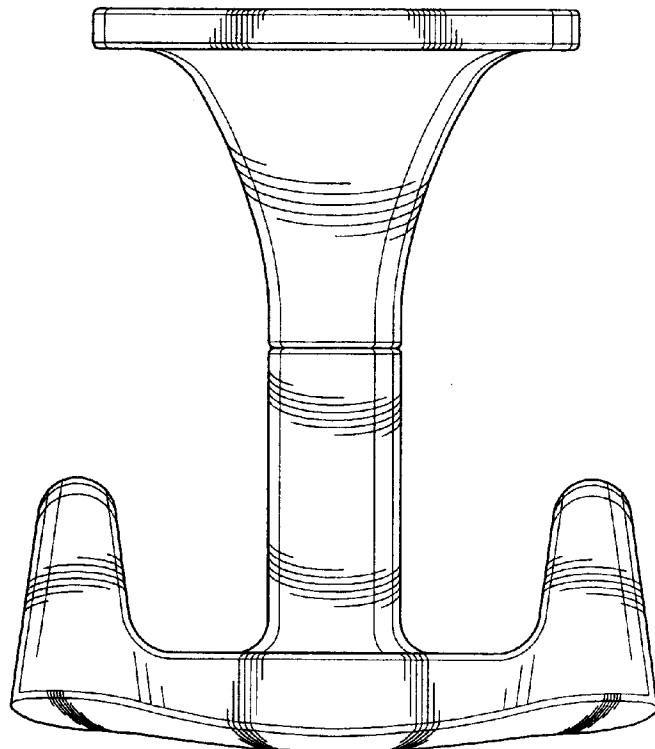


Fig-3

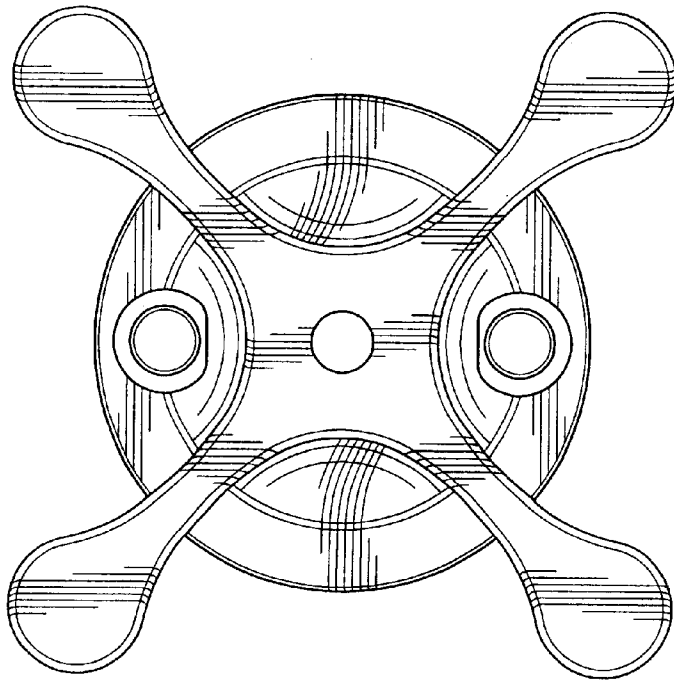


Fig-4

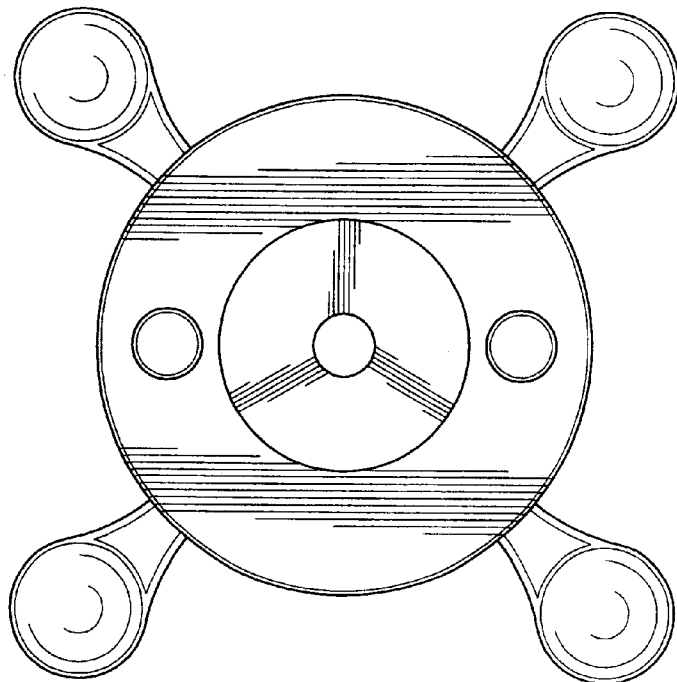


Fig-5