



US00D595894S

(12) **United States Design Patent**
Verfuwerth et al.

(10) **Patent No.:** **US D595,894 S**

(45) **Date of Patent:** **** Jul. 7, 2009**

(54) **REFLECTOR FOR A LIGHTING APPARATUS**

(75) Inventors: **Neal R. Verfuwerth**, Plymouth, WI (US);
Donald C. Heimerman, Random Lake,
WI (US); **Kenneth J. Wetenkamp**,
Plymouth, WI (US)

(73) Assignee: **Orion Energy Systems, Inc.**, Plymouth,
WI (US)

(**) Term: **14 Years**

(21) Appl. No.: **29/320,064**

(22) Filed: **Jun. 19, 2008**

(51) **LOC (9) Cl.** **26-99**

(52) **U.S. Cl.** **D26/122**

(58) **Field of Classification Search** D26/142,
D26/149, 150, 151, 152, 119, 121, 128, 129,
D26/130, 140, 141, 76, 120, 122, 118, 113,
D26/138, 74, 77, 60, 75, 78, 80, 81, 82, 83,
D26/85, 86, 88, 89, 90, 26, 35; 362/342,
362/600, 601, 605, 606, 607, 608, 632, 633,
362/558, 572, 573, 576, 145, 147, 217.01,
362/218, 219, 222, 223, 224, 225, 217.02–217.05,
362/217.08, 217.09, 217.1, 217.11, 217.14,
362/217.15, 246, 248, 279, 290, 325, 354,
362/355, 364, 366; D6/580, 300, 492, 579;
D25/103, 124, 122, 123, 125, 106, 109, 110,
D25/138

See application file for complete search history.

(56) **References Cited**

U.S. PATENT DOCUMENTS

2,219,383	A *	10/1940	Dillon	362/219
D180,611	S *	7/1957	McPhail	D26/122
4,363,082	A *	12/1982	Roland	362/148
4,499,529	A *	2/1985	Figueroa	362/283
4,674,016	A *	6/1987	Gallagher	362/240
D314,637	S *	2/1991	Holcomb	D26/120
5,988,829	A *	11/1999	Holder	362/223
D426,338	S *	6/2000	Herst et al.	D26/75
6,210,019	B1	4/2001	Weathers		

6,257,735	B1	7/2001	Baar
D447,266	S	8/2001	Verfuwerth
D463,059	S	9/2002	Verfuwerth
6,467,933	B2	10/2002	Baar
6,585,396	B1	7/2003	Verfuwerth
6,758,580	B1	7/2004	Verfuwerth

(Continued)

Primary Examiner—Cathron C Brooks

Assistant Examiner—Kevin K Rudzinski

(74) *Attorney, Agent, or Firm*—Foley & Lardner LLP

(57) **CLAIM**

I claim the ornamental design for a reflector for a lighting apparatus, as shown and described.

DESCRIPTION

FIG. 1 is a back perspective view of an embodiment of the claimed design;

FIG. 2 is a front perspective view of FIG. 1;

FIG. 3 is an end view of FIG. 1;

FIG. 4 is a side view of FIG. 1;

FIG. 5 is a back view of FIG. 1;

FIG. 6 is a front view of FIG. 1;

FIG. 7 is a back perspective view of another embodiment of the claimed design;

FIG. 8 is a front perspective view of FIG. 7;

FIG. 9 is an end view of FIG. 7;

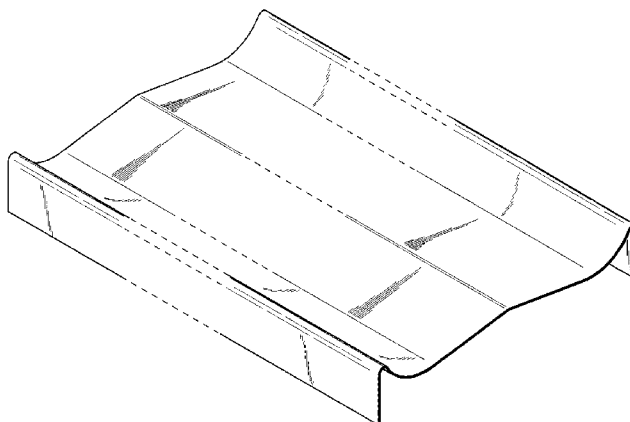
FIG. 10 is a side view of FIG. 7;

FIG. 11 is a back view of FIG. 7; and,

FIG. 12 is a front view of FIG. 7.

The ornamental design which is claimed is shown in solid lines in the drawings. The broken lines in the drawings are for illustrative purposes only and form no part of the claimed design.

1 Claim, 6 Drawing Sheets



US D595,894 S

Page 2

U.S. PATENT DOCUMENTS							
			7,261,435	B2 *	8/2007	Gould et al.	362/223
D494,700	S	8/2004	Hartman et al.				
			2003/0072152	A1 *	4/2003	Southern	362/225
6,964,502	B1	11/2005	Verfueth				
			2004/0136187	A1 *	7/2004	Plunk et al.	362/225
D538,462	S	3/2007	Verfueth et al.				
			2008/0007944	A1	1/2008	Verfueth et al.	
D544,138	S *	6/2007	Hargreaves	D26/118			
							* cited by examiner

FIGURE 1

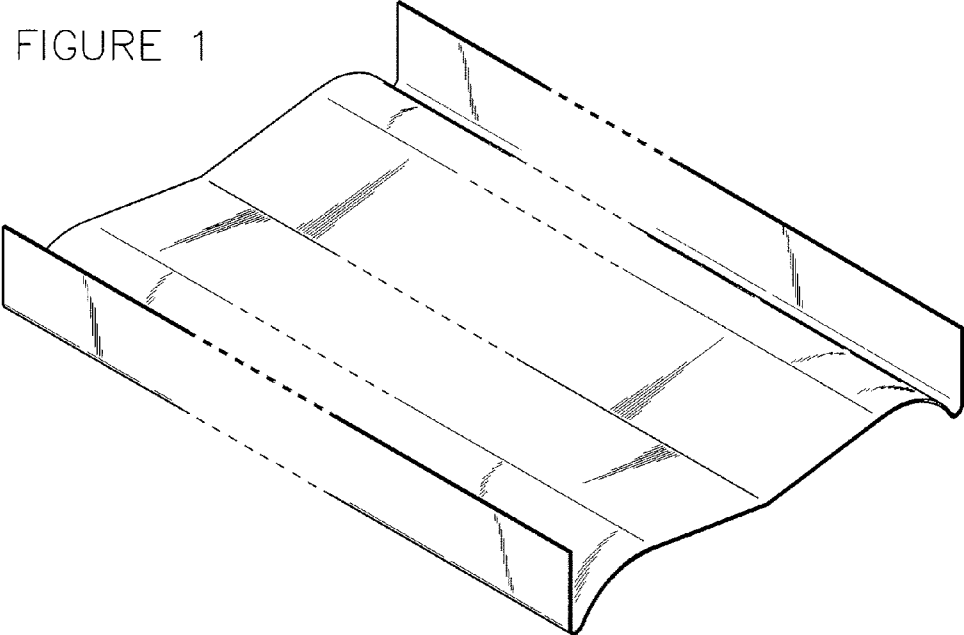


FIGURE 2

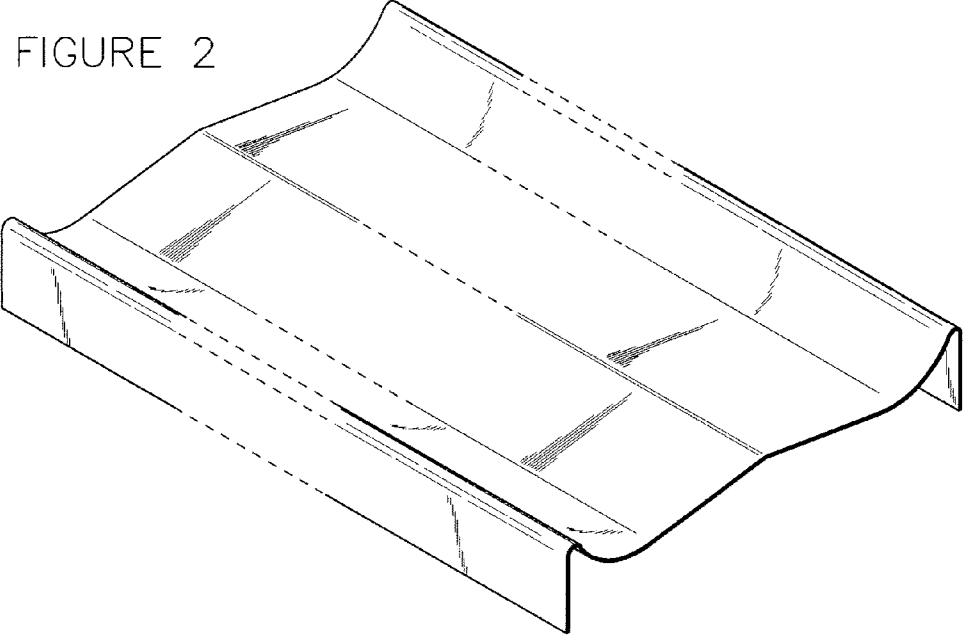


FIGURE 4

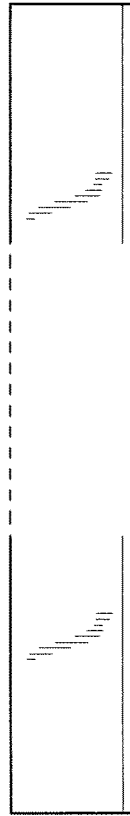


FIGURE 3



FIGURE 6

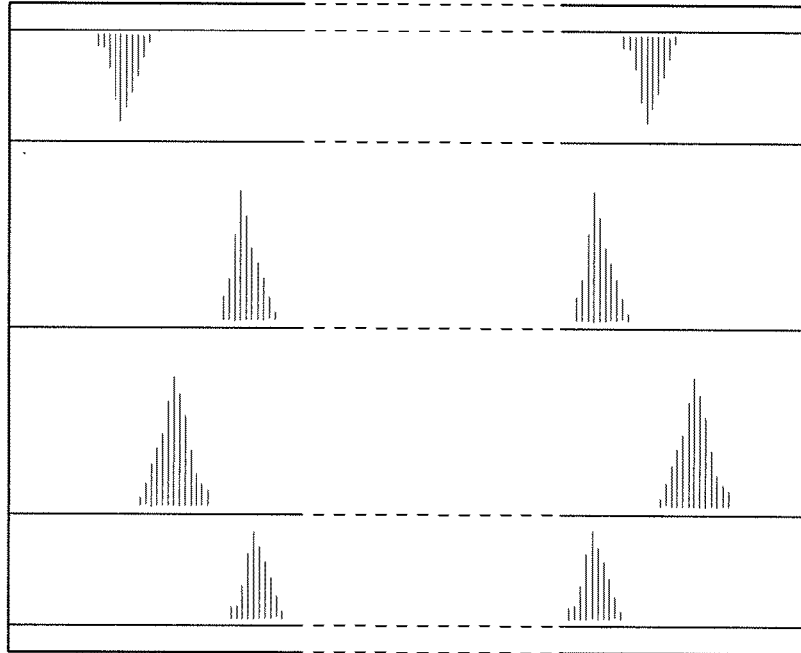


FIGURE 5

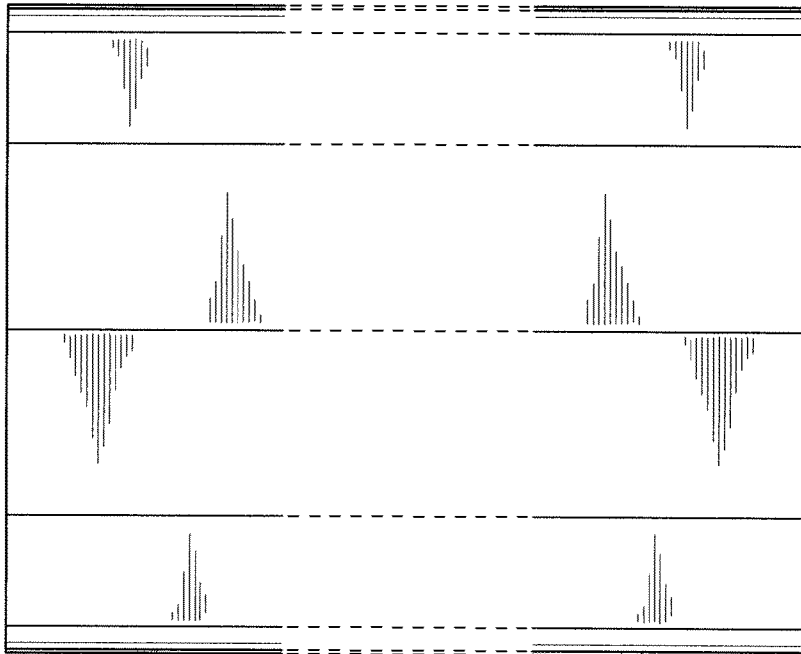


FIGURE 7

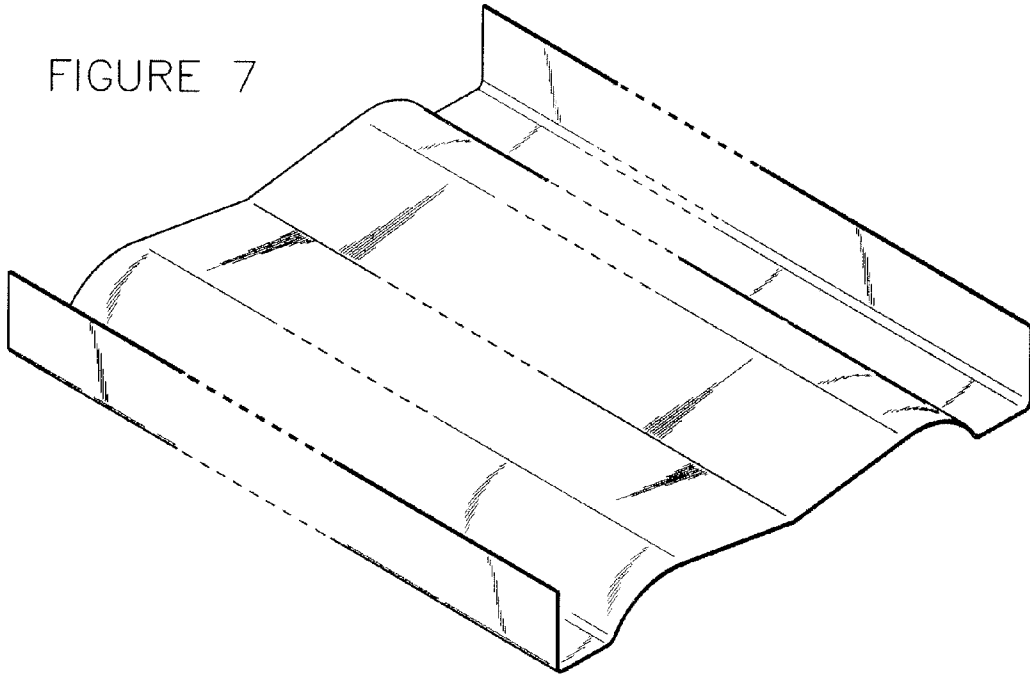


FIGURE 8

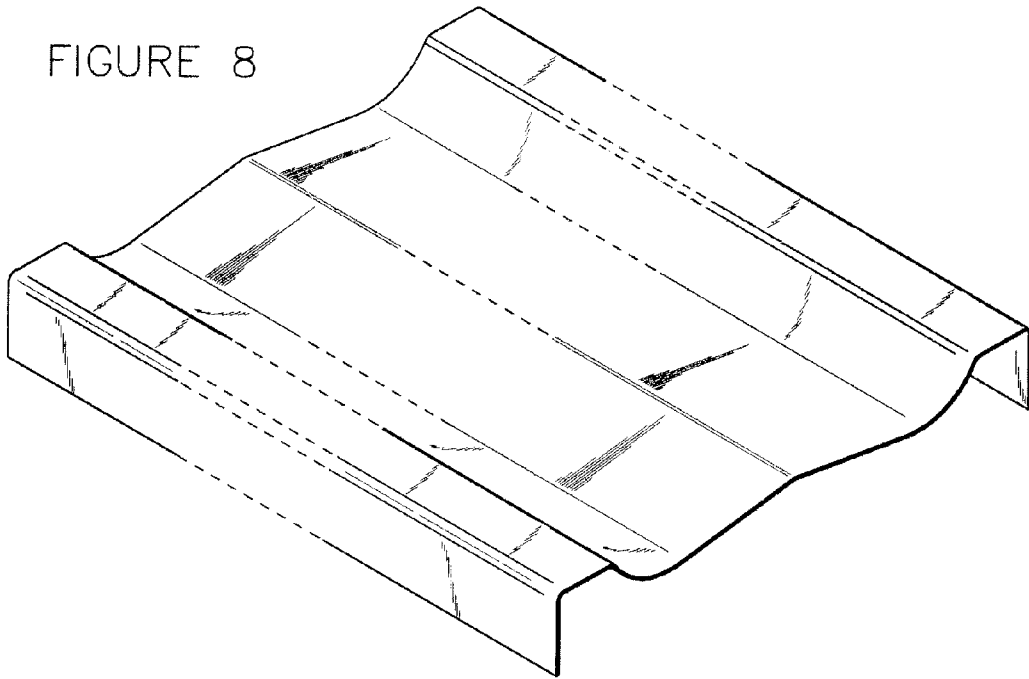


FIGURE 10

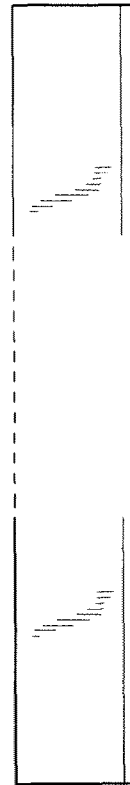


FIGURE 9



FIGURE 12

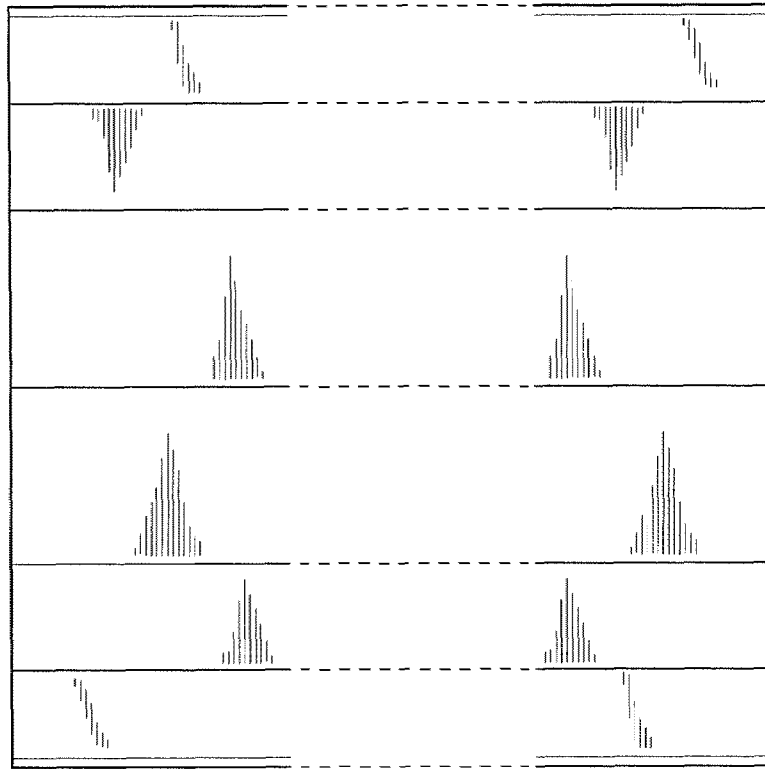


FIGURE 11

