



US00D429255S

United States Patent [19]

[11] Patent Number: **Des. 429,255**

Wilder et al.

[45] Date of Patent: **** Aug. 8, 2000**

[54] **GASOLINE MACHINE**

D. 301,147	5/1989	Bass	D15/9.1
D. 382,070	8/1997	Broudy	D15/9.1
D. 392,291	3/1998	Alvern et al.	D15/9.1
5,526,964	6/1996	Moore et al.	.	

[75] Inventors: **J. Michael Wilder; Phillip G. Collins; Franklin T. Pleasants**, all of Lexington, Ky.

Primary Examiner—Ralf Seifert
Attorney, Agent, or Firm—Mary E. Picken; Richard D. Stone

[73] Assignee: **Marathon Ashland Petroleum LLC**

[**] Term: **14 Years**

[57] CLAIM

[21] Appl. No.: **29/083,930**

The ornamental design for a gasoline machine, as shown.

[22] Filed: **Feb. 19, 1998**

DESCRIPTION

[51] **LOC (7) Cl.** **15-02**

[52] **U.S. Cl.** **D15/9.1**

[58] **Field of Search** D15/9.1, 9.2; 222/192, 222/631, 56, 59, 485; D25/56, 16, 3; 52/27, 36.1, 73, 74, 169.6; 135/87, 96; 235/61.7, 380, 381

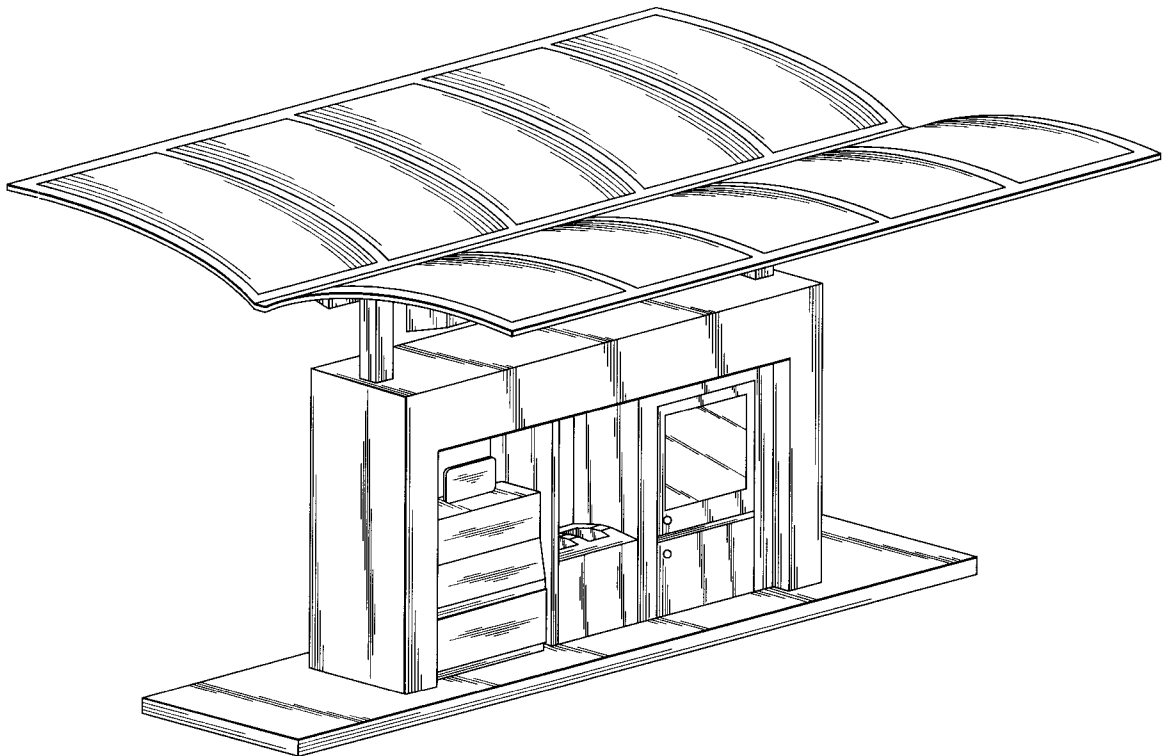
FIG. 1 is a side view of the gas machine.
FIG. 2 is a front elevational view of a gasoline machine showing my new design, the opposite side view being a mirror image;
FIG. 3 is an end view.
FIG. 4 is a top view; and,
FIG. 5 is a bottom view.

[56] References Cited

U.S. PATENT DOCUMENTS

D. 287,498 12/1986 Monigle et al. D15/9.1

1 Claim, 3 Drawing Sheets



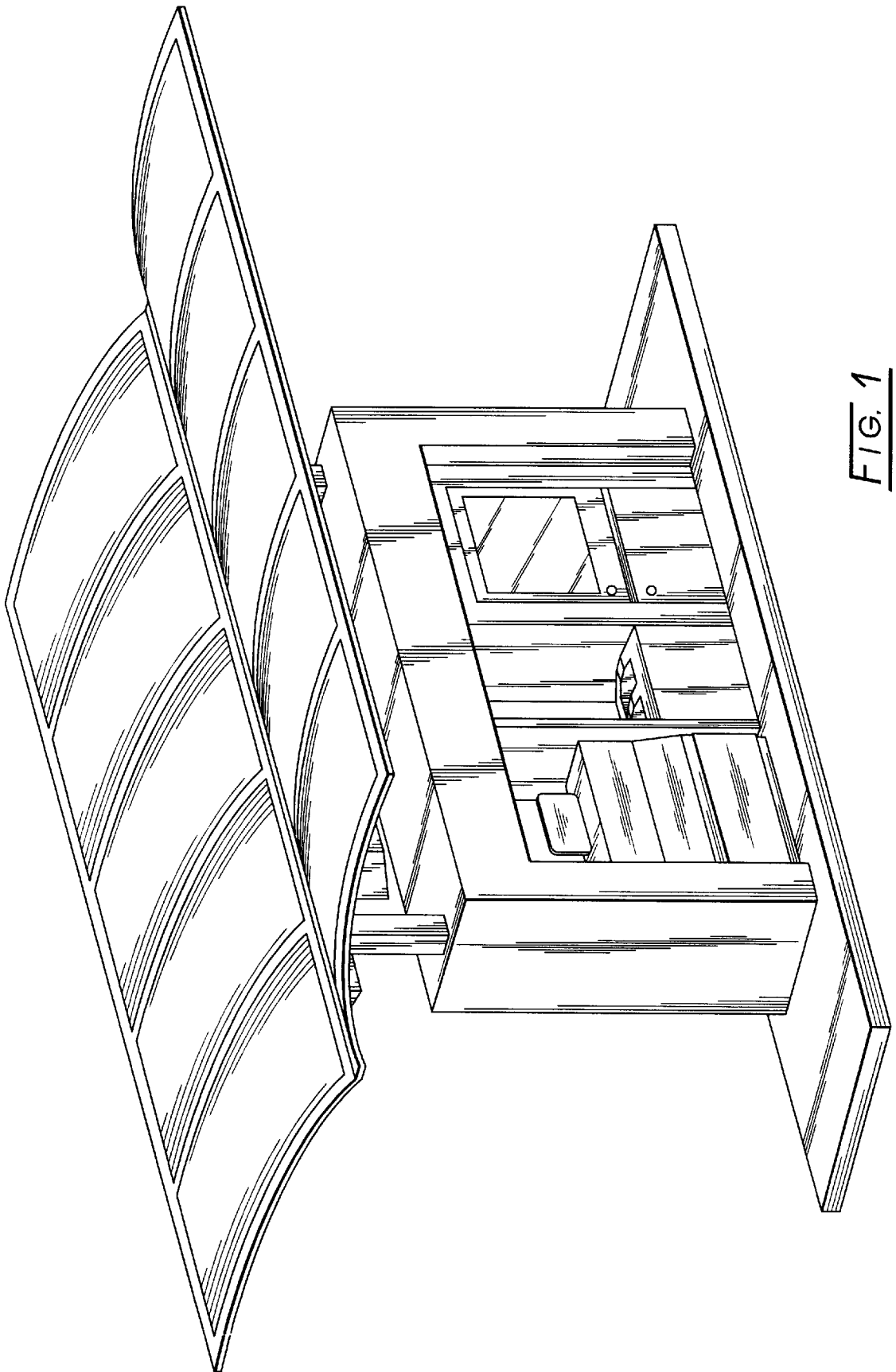


FIG. 1

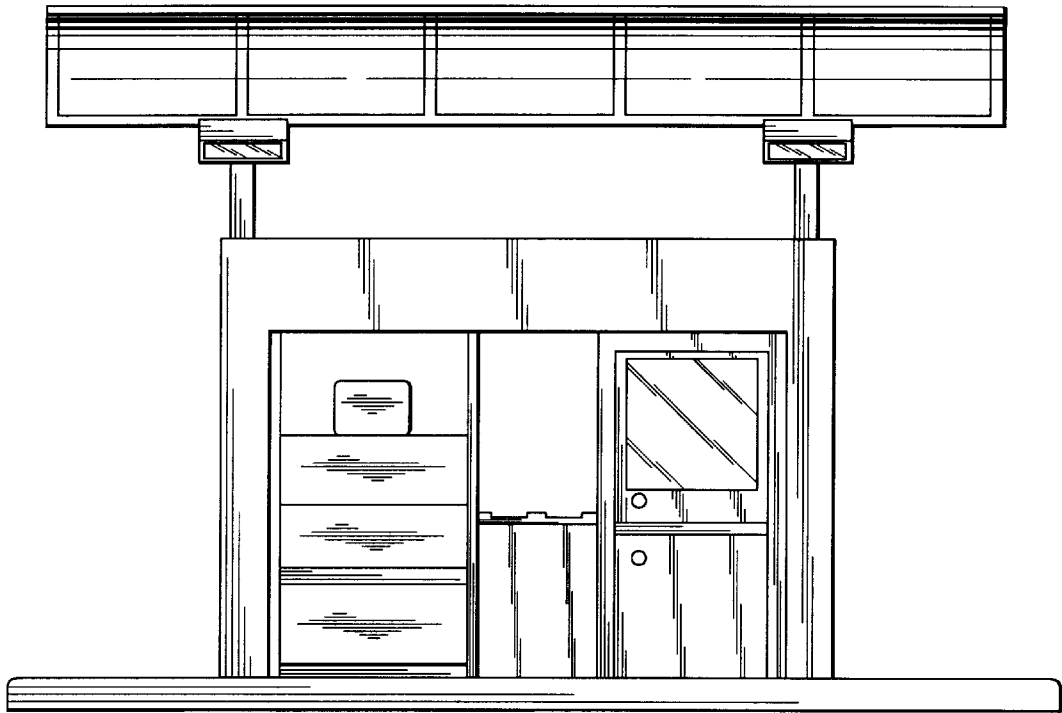


FIG. 2

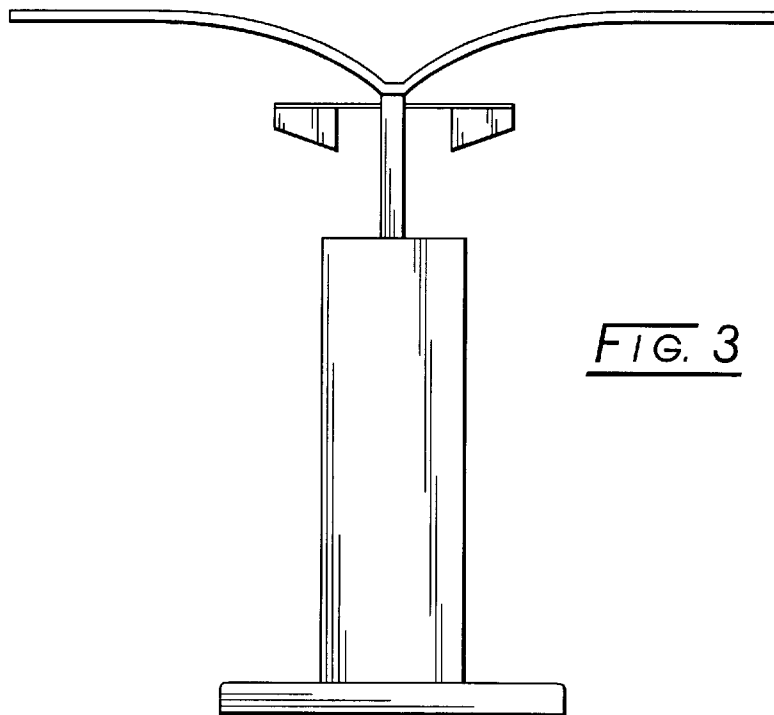


FIG. 3

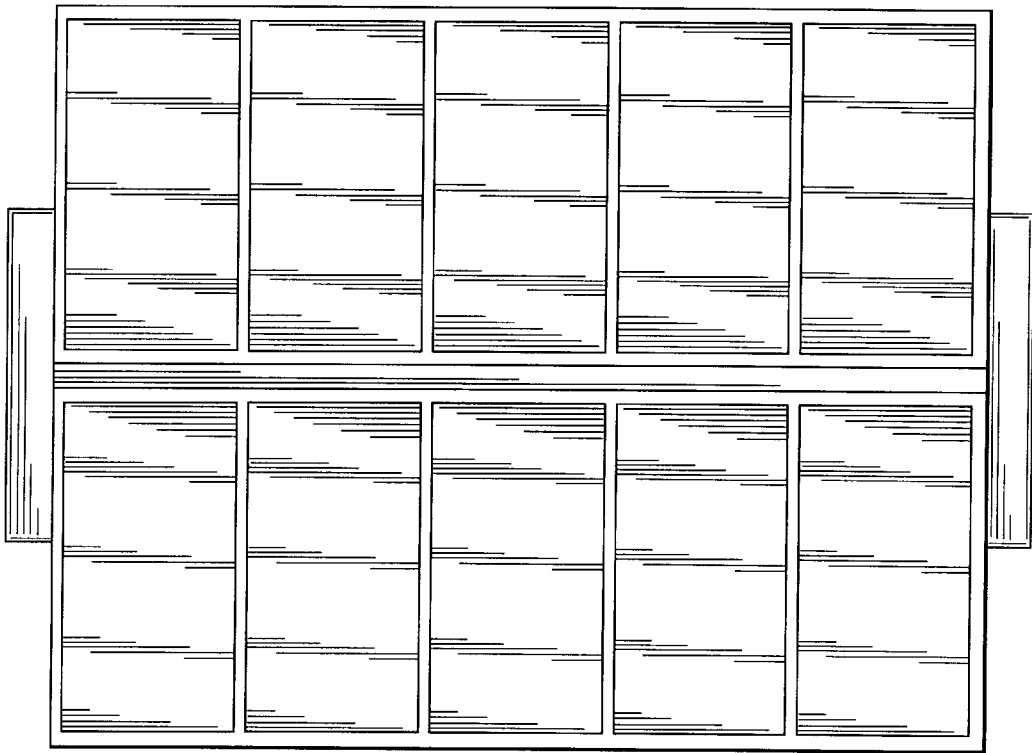


FIG. 4

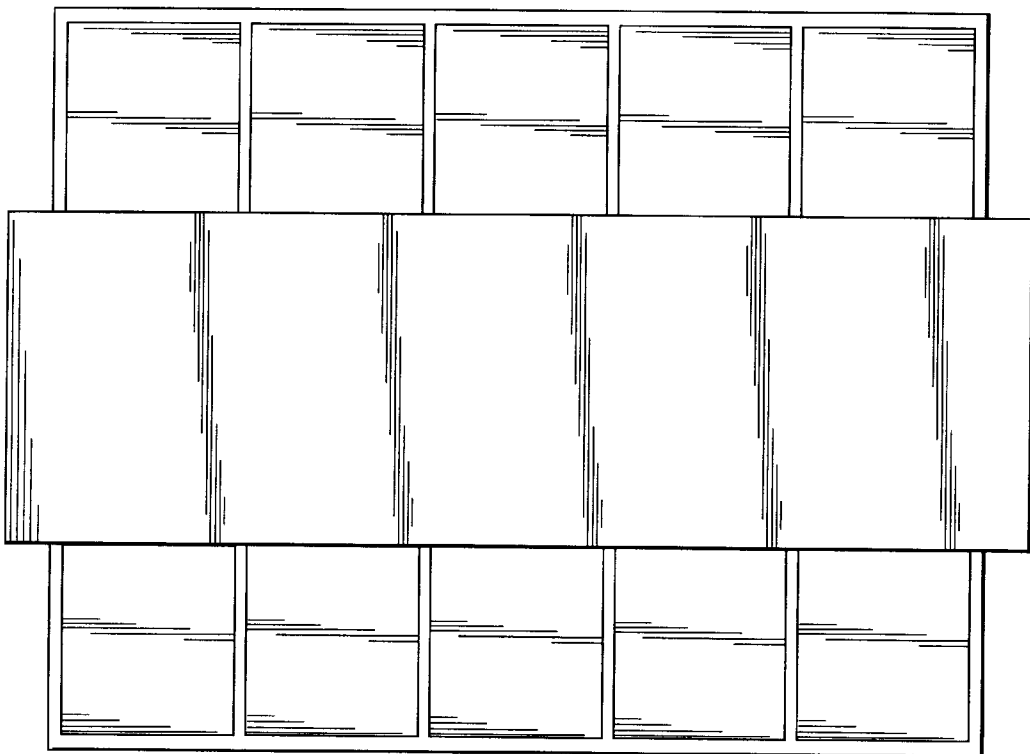


FIG. 5