



(51) International Patent Classification:

A01K 5/01 (2006.01) A01K 15/02 (2006.01)
A01K 5/02 (2006.01) A01K 29/00 (2006.01)

(21) International Application Number:

PCT/GB2014/051070

(22) International Filing Date:

4 April 2014 (04.04.2014)

(25) Filing Language:

English

(26) Publication Language:

English

(30) Priority Data:

1306155.1 5 April 2013 (05.04.2013) GB
1312154.6 5 July 2013 (05.07.2013) GB

(72) Inventor; and

(71) Applicant : SHAW, Nicky [GB/GB]; 17 Holland Park Mews, London, Greater London W11 3SX (GB).

(74) Agent: CLARK, Jane; Mathys & Squire LLP, The Shard, 32 London Bridge Street, London, Greater London SE1 9SG (GB).

(81) Designated States (unless otherwise indicated, for every kind of national protection available):

AE, AG, AL, AM, AO, AT, AU, AZ, BA, BB, BG, BH, BN, BR, BW, BY, BZ, CA, CH, CL, CN, CO, CR, CU, CZ, DE, DK, DM, DO, DZ, EC, EE, EG, ES, FI, GB, GD, GE, GH, GM, GT, HN, HR, HU, ID, IL, IN, IR, IS, JP, KE, KG, KN, KP, KR, KZ, LA, LC, LK, LR, LS, LT, LU, LY, MA, MD, ME, MG, MK, MN, MW, MX, MY, MZ, NA, NG, NI, NO, NZ, OM, PA, PE, PG, PH, PL, PT, QA, RO, RS, RU, RW, SA, SC, SD, SE, SG, SK, SL, SM, ST, SV, SY, TH, TJ, TM, TN, TR, TT, TZ, UA, UG, US, UZ, VC, VN, ZA, ZM, ZW.

(84) Designated States (unless otherwise indicated, for every kind of regional protection available):

ARIPO (BW, GH, GM, KE, LR, LS, MW, MZ, NA, RW, SD, SL, SZ, TZ, UG, ZM, ZW), Eurasian (AM, AZ, BY, KG, KZ, RU, TJ, TM), European (AL, AT, BE, BG, CH, CY, CZ, DE, DK, EE, ES, FI, FR, GB, GR, HR, HU, IE, IS, IT, LT, LU, LV, MC, MK, MT, NL, NO, PL, PT, RO, RS, SE, SI, SK, SM, TR), OAPI (BF, BJ, CF, CG, CI, CM, GA, GN, GQ, GW, KM, ML, MR, NE, SN, TD, TG).

[Continued on next page]

(54) Title: A PET INTERACTION DEVICE

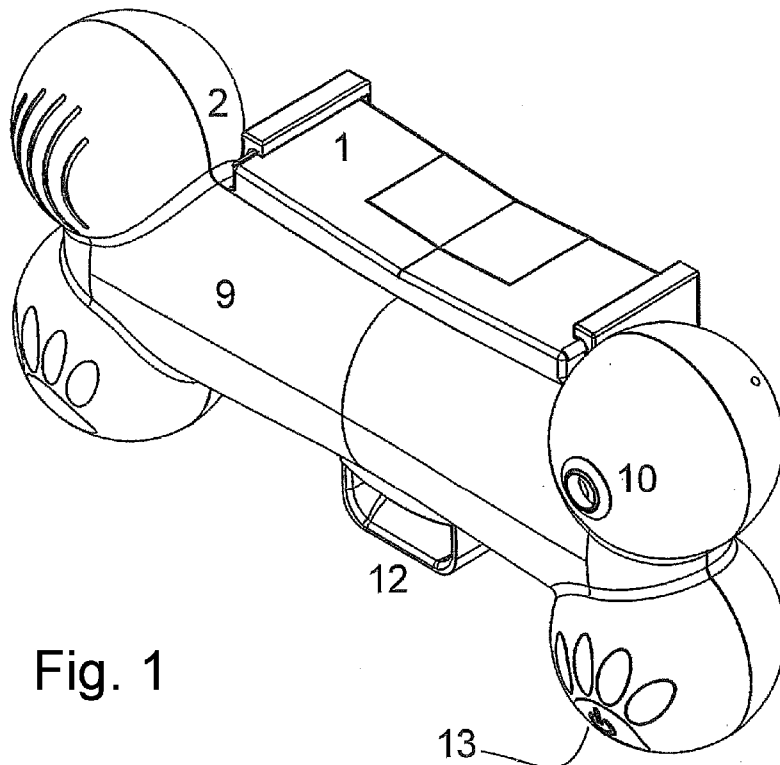


Fig. 1

(57) Abstract: A pet interaction device (100), comprising a communication interface (110, 210) configured for communication with a remote device (200), an audio-visual apparatus (150) configured to present audio-visual information received from the remote device (200) and/or capture and transmit audio-visual information to the remote device (200), a dispenser (12) configured to store and dispense at least one treat and a sensor (130) configured to sense an indication of the pet and, upon sensing the indication, to cause a communication session to be initiated with the remote device (200).





Published:

(88) Date of publication of the international search report:

18 December 2014

- *with international search report (Art. 21(3))*
- *before the expiration of the time limit for amending the claims and to be republished in the event of receipt of amendments (Rule 48.2(h))*

INTERNATIONAL SEARCH REPORT

International application No
PCT/GB2014/051070

A. CLASSIFICATION OF SUBJECT MATTER
 INV. A01K5/01 A01K5/02 A01K15/02 A01K29/00
 ADD.
 According to International Patent Classification (IPC) or to both national classification and IPC

B. FIELDS SEARCHED
 Minimum documentation searched (classification system followed by classification symbols)
 A01K

Documentation searched other than minimum documentation to the extent that such documents are included in the fields searched

Electronic data base consulted during the international search (name of data base and, where practicable, search terms used)
 EPO-Internal, WPI Data

C. DOCUMENTS CONSIDERED TO BE RELEVANT

Category*	Citation of document, with indication, where appropriate, of the relevant passages	Relevant to claim No.
X	US 2012/240863 A1 (ARAUJO JOSEPH [CA]) 27 September 2012 (2012-09-27)	1,2,5-7, 10-15, 17-20, 29,30, 32,34, 38-40
Y	paragraphs [0052], [0053], [0069], [0073] - [0083], [0086], [0128] claims 1, 8, 9 figures 1-3,10	3,4,8,9, 21-23, 26,27, 31,33, 35-37
A	----- -/--	25,28

Further documents are listed in the continuation of Box C.

See patent family annex.

* Special categories of cited documents :

- "A" document defining the general state of the art which is not considered to be of particular relevance
- "E" earlier application or patent but published on or after the international filing date
- "L" document which may throw doubts on priority claim(s) or which is cited to establish the publication date of another citation or other special reason (as specified)
- "O" document referring to an oral disclosure, use, exhibition or other means
- "P" document published prior to the international filing date but later than the priority date claimed

- "T" later document published after the international filing date or priority date and not in conflict with the application but cited to understand the principle or theory underlying the invention
- "X" document of particular relevance; the claimed invention cannot be considered novel or cannot be considered to involve an inventive step when the document is taken alone
- "Y" document of particular relevance; the claimed invention cannot be considered to involve an inventive step when the document is combined with one or more other such documents, such combination being obvious to a person skilled in the art
- "&" document member of the same patent family

Date of the actual completion of the international search 15 July 2014	Date of mailing of the international search report 28/10/2014
---	--

Name and mailing address of the ISA/ European Patent Office, P.B. 5818 Patentlaan 2 NL - 2280 HV Rijswijk Tel. (+31-70) 340-2040, Fax: (+31-70) 340-3016	Authorized officer Kiyak, Ismail Utku
--	--

INTERNATIONAL SEARCH REPORT

International application No
PCT/GB2014/051070

C(Continuation). DOCUMENTS CONSIDERED TO BE RELEVANT		
Category*	Citation of document, with indication, where appropriate, of the relevant passages	Relevant to claim No.
X	US 2011/139076 A1 (PU YUEH-JU [TW] ET AL) 16 June 2011 (2011-06-16) cited in the application	1,2,5-7, 10-13, 17, 28-30, 32,38-40
A	paragraphs [0011], [0012], [0016] figure 1	3,8,14, 15,18-20
X	US 7 878 152 B2 (KROLL MARK W [US]) 1 February 2011 (2011-02-01) cited in the application	1,7, 11-13, 16-19, 24,25, 28,32, 34,38-40
Y	column 1, line 29 - column 4, line 42	25
A	figures 1,3-6	2,15,29, 30
Y	US 2008/202446 A1 (GROSS FRITZ [DE]) 28 August 2008 (2008-08-28)	3,8,33, 35-37
A	paragraphs [0012], [0015], [0045] figure 4	1,2,5-7, 10-13, 29,30, 38-40
Y	US 2010/332140 A1 (JOYCE JONATHAN LIVINGSTON [US] ET AL) 30 December 2010 (2010-12-30)	4,9
A	paragraphs [0020], [0032]	1,37-40
Y	US 5 299 529 A (RAMIREZ PETER [US]) 5 April 1994 (1994-04-05)	21-23, 25-27,31
A	column 1, line 45 - column 1, line 63 column 2, line 35 - column 2, line 48 column 5, line 48 - column 5, line 67 figures 1,4	1,37-40

INTERNATIONAL SEARCH REPORT

International application No.
PCT/GB2014/051070

Box No. II Observations where certain claims were found unsearchable (Continuation of item 2 of first sheet)

This international search report has not been established in respect of certain claims under Article 17(2)(a) for the following reasons:

1. Claims Nos.:
because they relate to subject matter not required to be searched by this Authority, namely:

2. Claims Nos.:
because they relate to parts of the international application that do not comply with the prescribed requirements to such an extent that no meaningful international search can be carried out, specifically:

3. Claims Nos.:
because they are dependent claims and are not drafted in accordance with the second and third sentences of Rule 6.4(a).

Box No. III Observations where unity of invention is lacking (Continuation of item 3 of first sheet)

This International Searching Authority found multiple inventions in this international application, as follows:

see additional sheet

1. As all required additional search fees were timely paid by the applicant, this international search report covers all searchable claims.

2. As all searchable claims could be searched without effort justifying an additional fees, this Authority did not invite payment of additional fees.

3. As only some of the required additional search fees were timely paid by the applicant, this international search report covers only those claims for which fees were paid, specifically claims Nos.:

4. No required additional search fees were timely paid by the applicant. Consequently, this international search report is restricted to the invention first mentioned in the claims; it is covered by claims Nos.:

1-40

Remark on Protest

- The additional search fees were accompanied by the applicant's protest and, where applicable, the payment of a protest fee.
- The additional search fees were accompanied by the applicant's protest but the applicable protest fee was not paid within the time limit specified in the invitation.
- No protest accompanied the payment of additional search fees.

FURTHER INFORMATION CONTINUED FROM PCT/ISA/ 210

This International Searching Authority found multiple (groups of) inventions in this international application, as follows:

1. claims: 1-40

Pet interaction device comprising a sensor allowing communication with a remote device

2. claims: 41(completely); 43-47(partially)

Pet interaction device comprising a video camera and wireless connectivity

3. claims: 42(completely); 43-47(partially)

Pet interaction device adapted for mounting in a plurality of locations

INTERNATIONAL SEARCH REPORT

Information on patent family members

International application No PCT/GB2014/051070

Patent document cited in search report	Publication date	Patent family member(s)	Publication date
US 2012240863	A1	27-09-2012	CA 2830766 A1 27-09-2012 EP 2689408 A1 29-01-2014 US 2012240863 A1 27-09-2012 US 2014020631 A1 23-01-2014 WO 2012126106 A1 27-09-2012
US 2011139076	A1	16-06-2011	TW M384532 U 21-07-2010 US 2011139076 A1 16-06-2011
US 7878152	B2	01-02-2011	US 2005284412 A1 29-12-2005 US 2010013904 A1 21-01-2010 US 2011080459 A1 07-04-2011 US 2012255504 A1 11-10-2012
US 2008202446	A1	28-08-2008	AT 552725 T 15-04-2012 AU 2006243558 A1 09-11-2006 BR PI0612328 A2 03-11-2010 CA 2606342 A1 09-11-2006 DE 202006020787 U1 15-04-2010 EP 1876885 A1 16-01-2008 JP 2008539701 A 20-11-2008 US 2008202446 A1 28-08-2008 WO 2006116994 A1 09-11-2006
US 2010332140	A1	30-12-2010	US 2010332140 A1 30-12-2010 WO 2011002614 A1 06-01-2011
US 5299529	A	05-04-1994	NONE