

(19) World Intellectual Property Organization  
International Bureau



(43) International Publication Date  
18 May 2006 (18.05.2006)

PCT

(10) International Publication Number  
**WO 2006/051044 A1**

- (51) International Patent Classification:  
A47G 7/02 (2006.01) A01G 5/04 (2006.01)
- (21) International Application Number:  
PCT/EP2005/055615
- (22) International Filing Date: 27 October 2005 (27.10.2005)
- (25) Filing Language: English
- (26) Publication Language: English
- (30) Priority Data:  
MI2004A002150 9 November 2004 (09.11.2004) IT
- (71) Applicant and  
(72) Inventor: FERRAROTTI, Giuliana [IT/IT]; Via  
Cilavegna, 16, I-27038 ROBBIO (IT).
- (74) Agent: MODIANO, Micaela; Dr. Modiano & Associati  
S.p.A., Via Meravigli, 16, I-20123 Milano (IT).
- (81) Designated States (unless otherwise indicated, for every  
kind of national protection available): AE, AG, AL, AM,

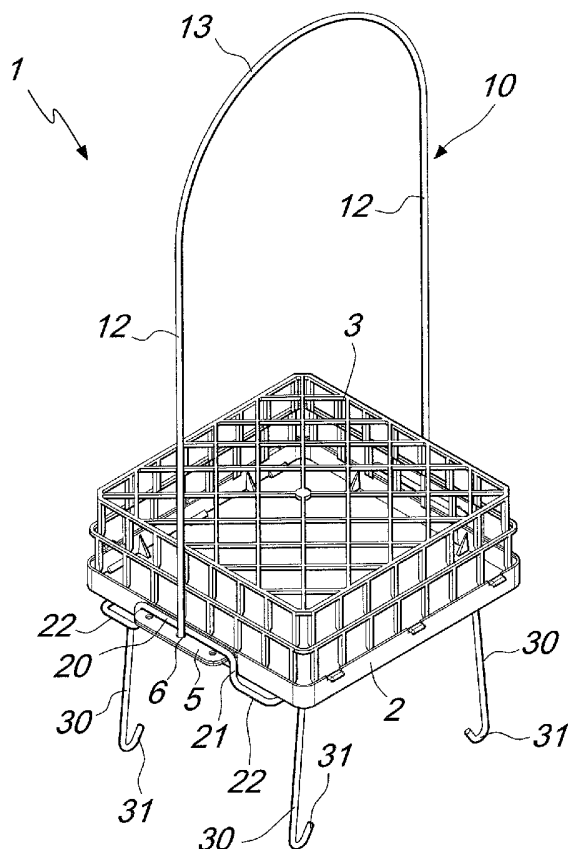
AT, AU, AZ, BA, BB, BG, BR, BW, BY, BZ, CA, CH, CN,  
CO, CR, CU, CZ, DE, DK, DM, DZ, EC, EE, EG, ES, FI,  
GB, GD, GE, GH, GM, HR, HU, ID, IL, IN, IS, JP, KE,  
KG, KM, KN, KP, KR, KZ, LC, LK, LR, LS, LT, LU, LV,  
LY, MA, MD, MG, MK, MN, MW, MX, MZ, NA, NG, NI,  
NO, NZ, OM, PG, PH, PL, PT, RO, RU, SC, SD, SE, SG,  
SK, SL, SM, SY, TJ, TM, TN, TR, TT, TZ, UA, UG, US,  
UZ, VC, VN, YU, ZA, ZM, ZW.

(84) Designated States (unless otherwise indicated, for every  
kind of regional protection available): ARIPO (BW, GH,  
GM, KE, LS, MW, MZ, NA, SD, SL, SZ, TZ, UG, ZM,  
ZW), Eurasian (AM, AZ, BY, KG, KZ, MD, RU, TJ, TM),  
European (AT, BE, BG, CH, CY, CZ, DE, DK, EE, ES, FI,  
FR, GB, GR, HU, IE, IS, IT, LT, LU, LV, MC, NL, PL, PT,  
RO, SE, SI, SK, TR), OAPI (BF, BJ, CF, CG, CI, CM, GA,  
GN, GQ, GW, ML, MR, NE, SN, TD, TG).

Published:  
— with international search report

For two-letter codes and other abbreviations, refer to the "Guidance Notes on Codes and Abbreviations" appearing at the beginning of each regular issue of the PCT Gazette.

(54) Title: SUPPORT PARTICULARLY FOR PROVIDING FLOWER COMPOSITIONS AND THE LIKE



(57) Abstract: A support (1) particularly for providing flower compositions and the like, comprising a tray (2) for supporting flower elements and the like. A handle element (10) is detachably associable with the tray (2) and is provided with means (20) for connection to the tray (2) for the mutual support of the handle element (10) and of the tray (2), the support further comprising, connected to the handle element (10), supporting feet (30) adapted to keep the tray (2) in a raised position.

WO 2006/051044 A1

# SUPPORT PARTICULARLY FOR PROVIDING FLOWER COMPOSITIONS AND THE LIKE

## Technical Field

The present invention relates to a support particularly for providing  
5 flower compositions and the like.

## Background Art

As is known, flower compositions are provided normally by using blocks made of expanded plastic material, which can be pierced by the stalks of floral items and the like and are retained by the block, which by  
10 being impregnated with water also has the function of maintaining the freshness of said flowers.

As shown in Italian Utility Model Application No. MI2002U000237, a handle element is provided which is connected to tabs which protrude from the tray on which the block of expanded plastic material is normally  
15 arranged.

This kind of solution allows to make the support easy to carry, but if the flower composition is provided by means of items arranged so that they also hang out around the block, currently it is necessary to provide a supporting element so as to keep the tray raised, with the possibility to avoid  
20 damage to the floral items and to improve the overall aesthetic impression.

The need to provide a separate element in most cases is inconvenient and does not allow quick maneuverability of the assembly.

## Disclosure of the Invention

The aim of the present invention is to solve the problems described  
25 above, by providing a support particularly for providing flower compositions and the like, which can be carried easily and rapidly and at the same time allows to better enhance the flower composition by keeping it raised with respect to the supporting surface.

Within this aim, an object of the invention is to provide a support  
30 which is structurally very simple and is capable of harmonizing easily with

the floral items that provide the composition.

Another object of the present invention is to provide a support which, by virtue of its particular constructive characteristics, is capable of giving the greatest assurances of reliability and safety in use.

5 Another object of the present invention is to provide a support which can be obtained easily starting from commonly commercially available elements and materials and is further competitive from a purely economic standpoint.

This aim and these and other objects, which will become better  
10 apparent hereinafter, are achieved by a support particularly for providing flower compositions and the like, according to the invention, which comprises a tray for supporting flower elements and the like, a handle element being detachably associable with said tray and being provided with means for connection to said tray for the mutual support of said handle  
15 element and of said tray, characterized in that it comprises, connected to said handle element, supporting feet adapted to keep said tray in a raised position.

#### Brief Description of the Drawings

Further characteristics and advantages will become better apparent  
20 from the following detailed description of a support particularly for providing flower compositions and the like, illustrated by way of non-limiting example in the accompanying drawings, wherein:

Figure 1 is a schematic perspective view of the support according to the invention;

25 Figure 2 is a perspective view of the support coupled to a lattice-frame tray;

Figure 3 is a side view of the support coupled to the tray;

Figure 4 is a schematic view of a flower composition;

30 Figure 5 is a sectional view of the detail of the connection between the tray and the handle element;

Figure 6 is a perspective view of the detail of the means for mutually connecting the handle element and the tray;

Figure 7 is a perspective view of the connecting means provided with a lug;

5 Figure 8 is a schematic exploded view of a support with partially open loops;

Figure 9 is a view of the detail of the connecting means provided with a lug;

Figure 10 is a front view of the connecting means;

10 Figure 11 is a sectional view of the connecting means.

#### Ways of carrying out the Invention

With reference to the figures, and particularly to Figures 1 to 7, the support particularly for providing flower compositions and the like, generally designated by the reference numeral 1, comprises a tray 2, made of  
15 plastic material, with which it is optionally possible to connect a lattice frame 3 for containing a block 4 made of expanded plastic material.

A handle element, generally designated by the reference numeral 10, can be connected detachably to the tray 2 and has an arc-like portion which is formed by two vertical arms 12 joined by a connecting portion 13 which  
20 allows to divaricate, to a certain extent, the arms 12 so that they can easily engage trays 2 of different sizes.

Advantageously, the handle element 10 is made of metallic rod, but obviously it can be obtained by means of any other rigid element capable of providing the same functionality.

25 At the free ends of the arms 12 there are means for connection to the tray 2 which are capable of providing the mutual support of the handle element and of the tray.

Substantially, the connecting means allow both to connect the tray to the handle element and to retain the handle element in an upright position.

30 The connecting means, according to what is shown in Figures 1 to 7,

are provided with a cross-member 20, which is advantageously welded transversely to the free end of the arms 12 and can be superimposed on tabs 5, which are formed laterally by the tray 2.

The cross-member is superimposed on the tabs 5 and is connected to a vertical portion 21, which is connected, by means of a wider portion 22, to a secondary arm 23, which is arranged under the bottom of the tray 2, thus obtaining a sort of clamping action, which connects the handle element to the tray.

A particular aspect is constituted by the fact that supporting feet 30 are connected to the secondary arm 23 and extend downward so as to keep the tray 2 in the raised position.

Advantageously, the supporting feet end with a folded portion 31, which prevents the presence of sharp edges in the supporting region.

In order to provide a safe and stable coupling between the handle element 10 and the tray 2, the handle element 10 has, on the free end of the arms 12, coupling means constituted by an extension portion 15, which reaches beyond the cross-member 20 and can be inserted in a retention hole 6 provided in the tab 5.

Since the tab 5 is made of plastic material, it can be flexed elastically so as to disengage, if required, from the portion 15, consequently disengaging the handle element.

It is optionally possible to arrange on the tab 5 elastic lugs 35, which engage against the cross-member 20 so as to prevent its accidental disengagement by sliding.

It should be specified that coupling can be provided by using simultaneously the extension portion that engages the hole and the elastic tabs or optionally by using just one of the two coupling elements.

It is also possible, in order to stabilize the coupling of the handle element to the tray, to use ties which join the handle element to the lattice frame.

According to what is shown in Figures 8 to 11, the connecting means have a partially-open slot 40, which is welded at the ends of the arms, again designated by the reference numeral 12, of the handle element 10.

5 The partially-open slot 40 has an upper portion 41, which overlaps the tab 5, and lower portions 42, which are arranged below the tab 5 and end with supporting feet, again designated by the reference numeral 30, the free end of which is provided with a folded portion 31 as in the previously described case.

10 In order to stabilize the coupling, it is possible to use the same means described earlier, and in particular the elastic lugs 35 arranged on the tabs that engage the upper portion 41 are used.

15 From what has been described above, it is therefore evident that the invention achieves the proposed aim and objects, and in particular the fact is stressed that a solution is provided in which the handle element that allows to move easily the support of the flower composition is already provided with supporting feet which allow to keep the tray in the raised position.

In practice, the materials employed, so long as they are compatible with specific use, as well as the contingent shapes and dimensions, may be any according to the requirements.

20 The disclosures in Italian Patent Application No. MI2004A002150 from which this application claims priority are incorporated herein by reference.

CLAIMS

1. A support particularly for providing flower compositions and the like, comprising a tray for supporting flower elements and the like, said tray being detachably associable with a handle element with means for  
5 connection to said tray for the mutual support of said handle element and of said tray, characterized in that it comprises, connected to said handle element, supporting feet adapted to keep said tray in a raised position.

2. The support according to claim 1, characterized in that said handle element has an arc-like portion formed by two vertical arms which are  
10 joined by a connecting portion and can be divaricated elastically, said connecting means being provided at the free end of said vertical arms.

3. The support according to the preceding claims, characterized in that said connecting means have a cross-member which is rigidly associated transversely with the free end of each one of said arms and can be  
15 superimposed on tabs formed laterally by said tray, said cross-member being connected to a vertical portion, which in turn is connected to a secondary arm which can be arranged under the bottom of said tray.

4. The support according to one or more of the preceding claims, characterized in that said secondary arm is connected to said vertical portion  
20 by way of the interposition of a wider portion.

5. The support according to one or more of the preceding claims, characterized in that said supporting feet are connected to said secondary arm.

6. The support according to one or more of the preceding claims,  
25 characterized in that it comprises a folded portion which is arranged at the end of said supporting feet.

7. The support according to one or more of the preceding claims, characterized in that said connecting means are formed monolithically by means of a metallic rod.

30 8. The support according to one or more of the preceding claims,

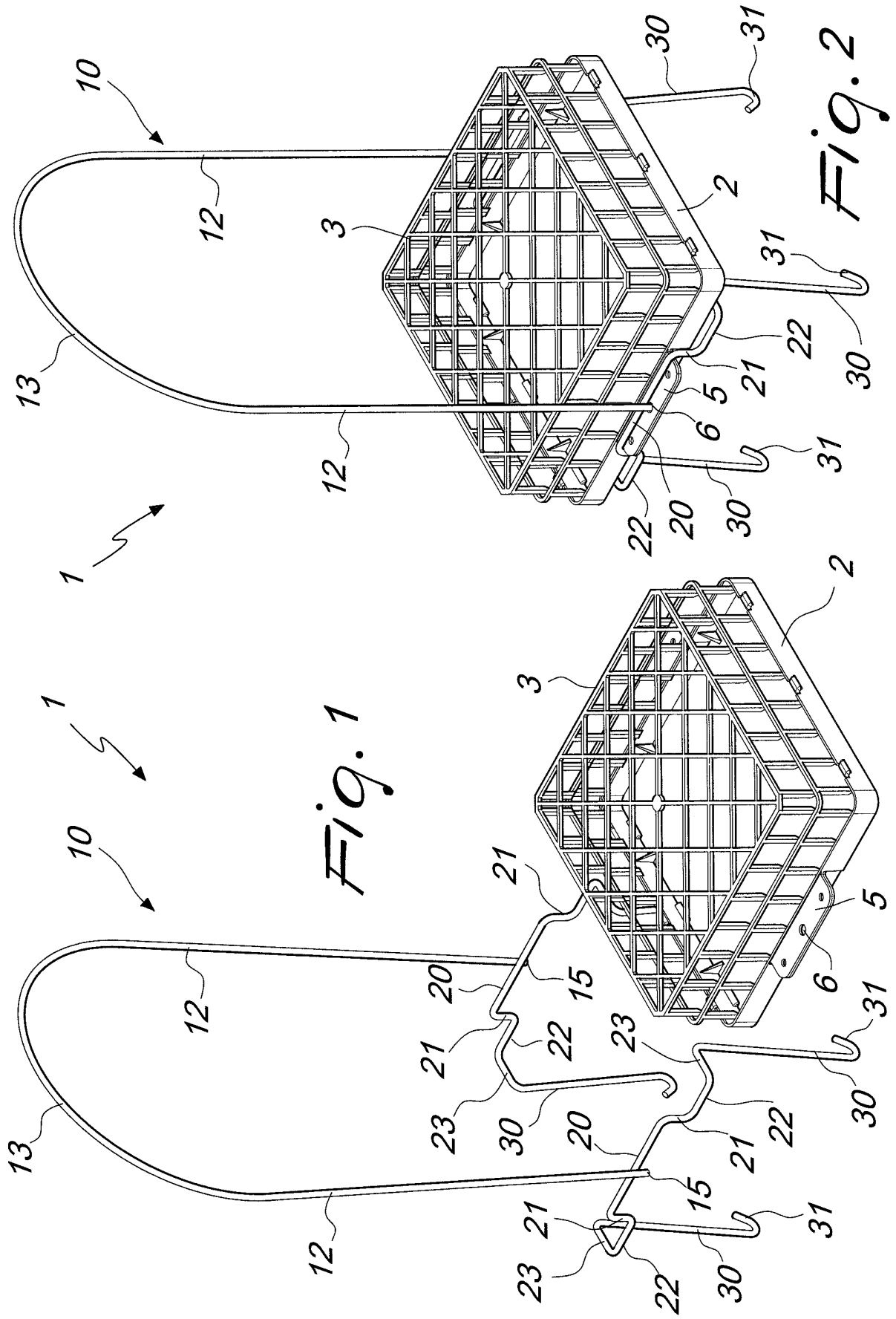
characterized in that it comprises means for mutually coupling said handle element and said tray in order to stabilize the detachable coupling between said handle element and said tray.

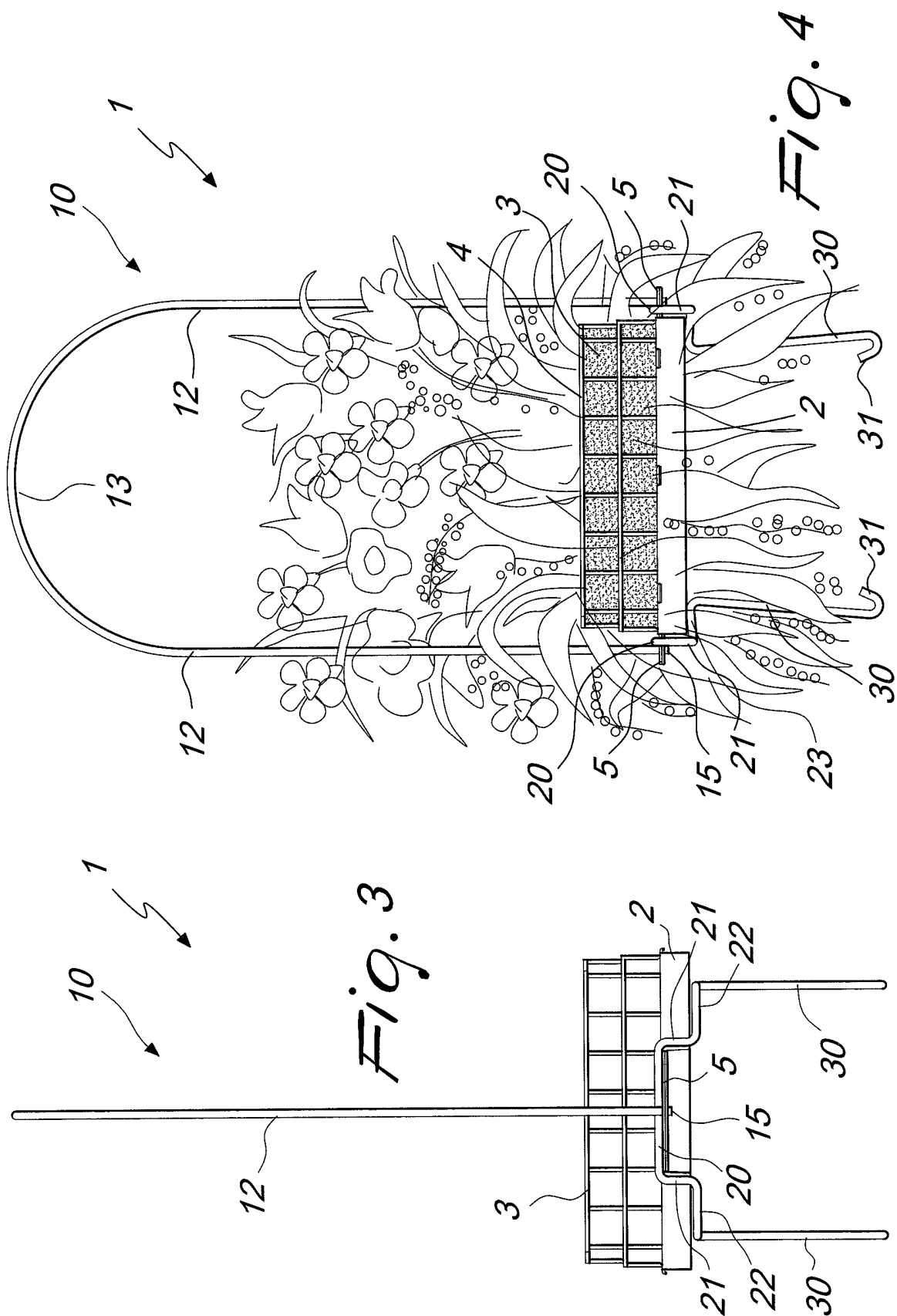
9. The support according to one or more of the preceding claims,  
5 characterized in that said coupling means comprise an extension portion of said vertical arms which reaches beyond said cross-member and can be inserted detachably in a retention hole provided in said tab.

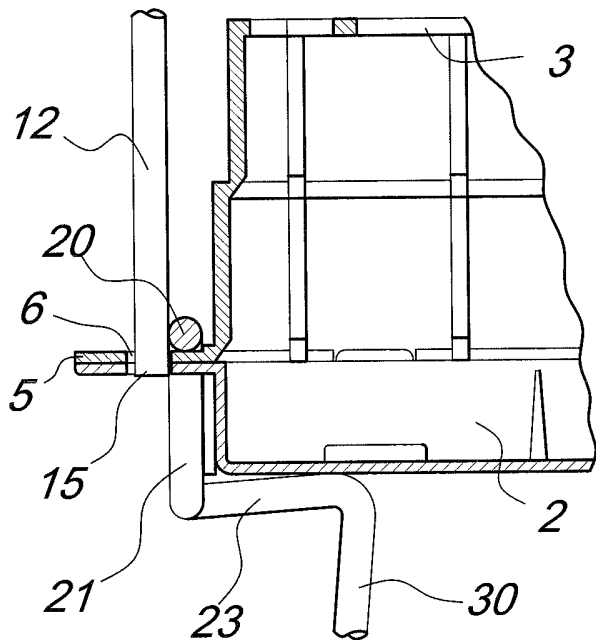
10. The support according to one or more of the preceding claims,  
10 characterized in that said coupling means comprise elastic lugs, which are formed by said tab and are suitable to engage against said cross-member in order to prevent accidental disengagement by sliding.

11. The support according to one or more of the preceding claims,  
15 characterized in that said connecting means comprise a partially-open slot, which is rigidly associated at the free end of said vertical arms, said partially-open slot having an upper portion which can be superimposed on said tab and is connected to lower portions which can be arranged below said tab and end with said supporting feet.

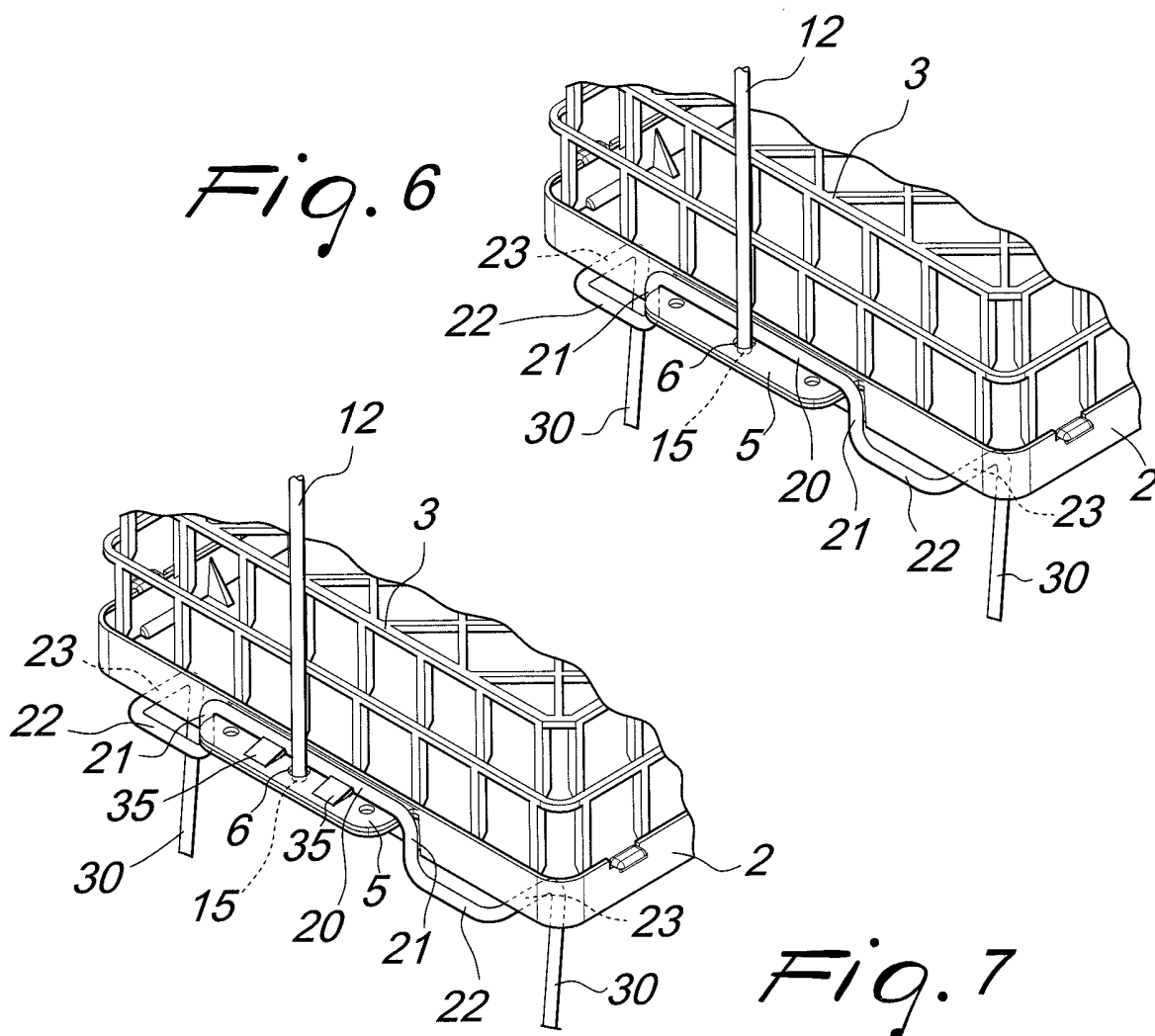








*Fig. 5*



*Fig. 6*

*Fig. 7*

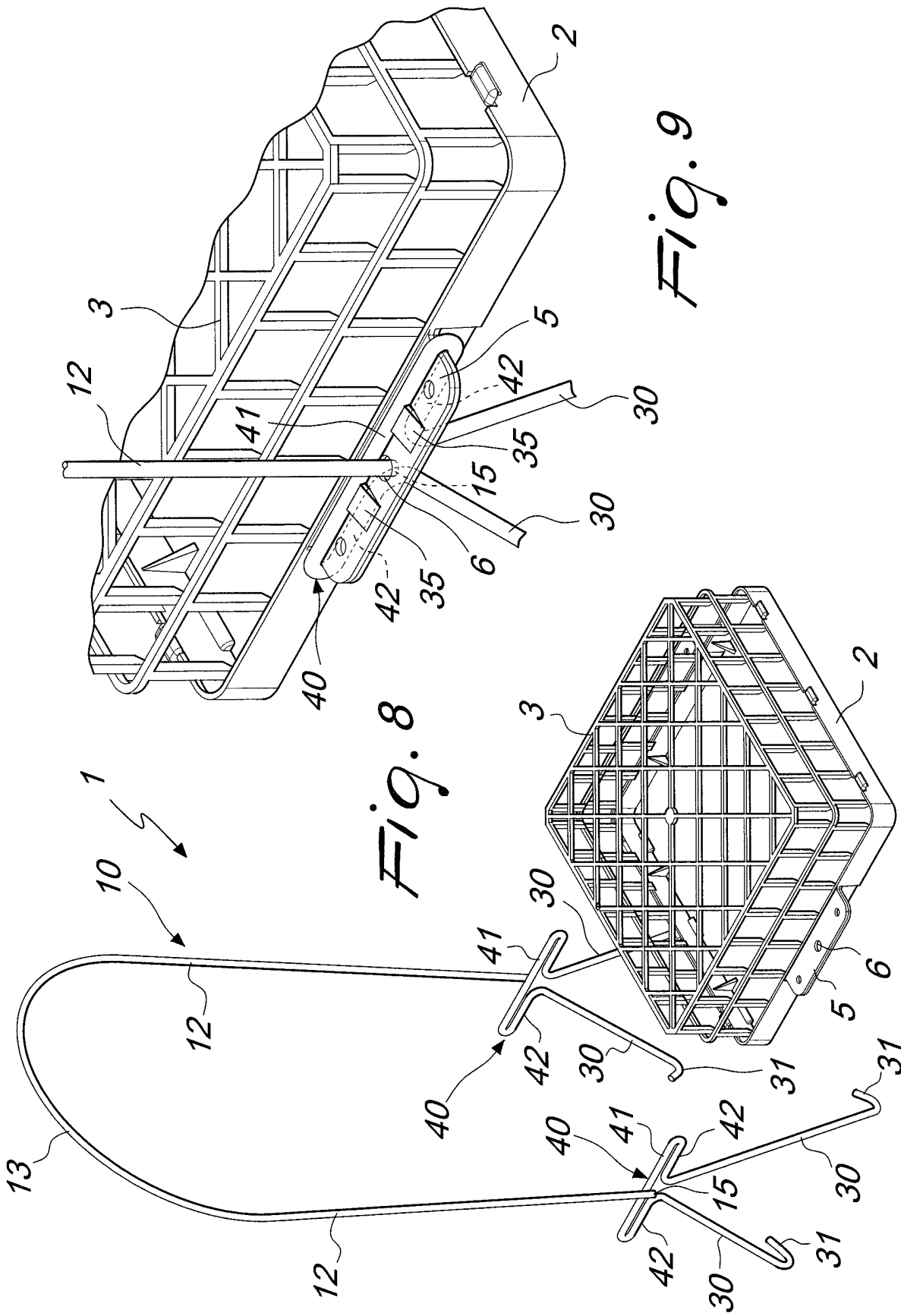
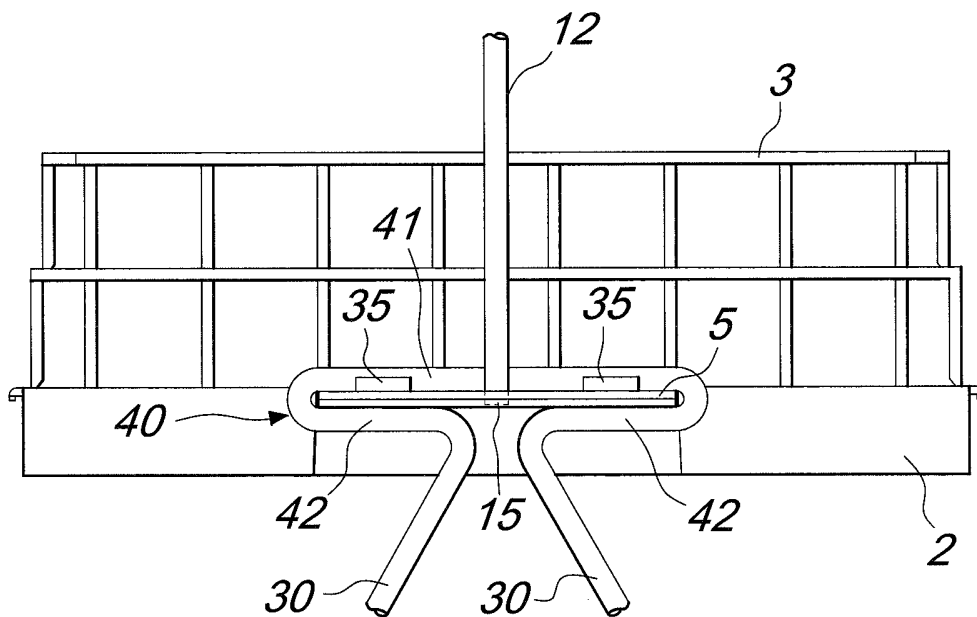


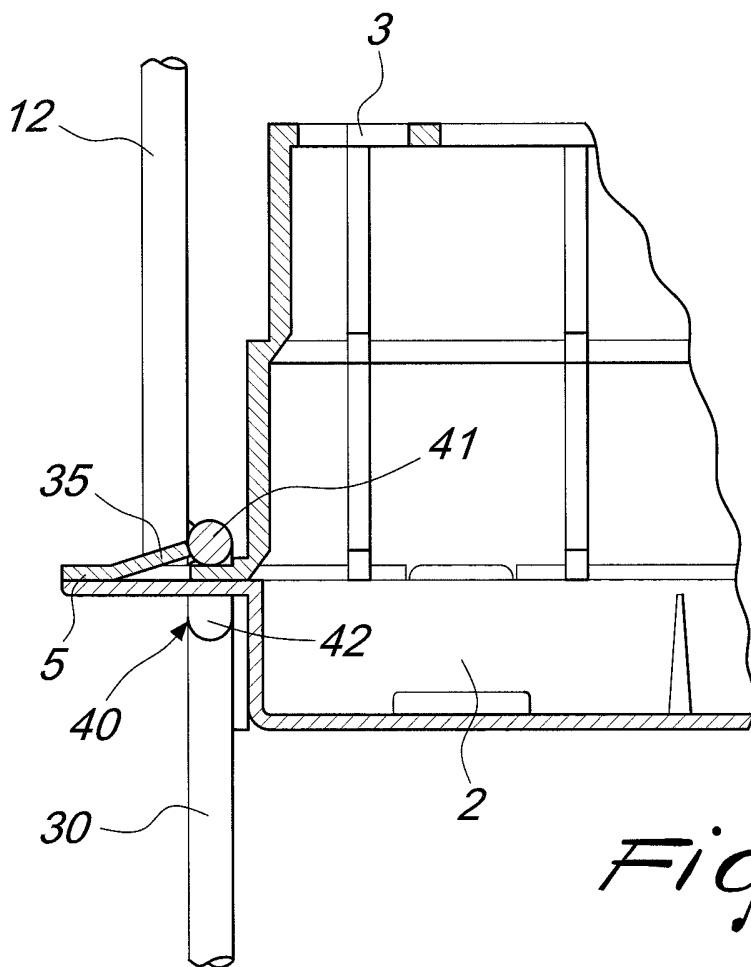
Fig. 8

Fig. 9

5/5



*Fig. 10*



*Fig. 11*

INTERNATIONAL SEARCH REPORT

International application No  
PCT/EP2005/055615

<b>A. CLASSIFICATION OF SUBJECT MATTER</b> A47G7/02      A01G5/04		
According to International Patent Classification (IPC) or to both national classification and IPC		
<b>B. FIELDS SEARCHED</b> Minimum documentation searched (classification system followed by classification symbols) A01G A47G		
Documentation searched other than minimum documentation to the extent that such documents are included in the fields searched		
Electronic data base consulted during the international search (name of data base and, where practical, search terms used) EPO-Internal, PAJ, WPI Data		
<b>C. DOCUMENTS CONSIDERED TO BE RELEVANT</b>		
Category*	Citation of document, with indication, where appropriate, of the relevant passages	Relevant to claim No.
X	GB 666 355 A (WALTER LIONEL JELF POMFRET) 13 February 1952 (1952-02-13) page 1, line 61 - line 78; figures 1,2	1,2,6,8
A	US 2 261 326 A (ATKISSON LEWIS C ET AL) 4 November 1941 (1941-11-04) the whole document	1,3,5,7,8
A	US 2 737 746 A (ORR JACK A) 13 March 1956 (1956-03-13) the whole document	1,3,7,8
A	US 5 878 982 A (CUMBY ET AL) 9 March 1999 (1999-03-09) column 2, line 39 - line 43; figures	1
A	US 2001/029698 A1 (WARMERDAM OSCAR ET AL) 18 October 2001 (2001-10-18)	
<input type="checkbox"/> Further documents are listed in the continuation of Box C. <input checked="" type="checkbox"/> See patent family annex.		
* Special categories of cited documents :		
*A* document defining the general state of the art which is not considered to be of particular relevance *E* earlier document but published on or after the international filing date *L* document which may throw doubts on priority claim(s) or which is cited to establish the publication date of another citation or other special reason (as specified) *O* document referring to an oral disclosure, use, exhibition or other means *P* document published prior to the international filing date but later than the priority date claimed		*T* later document published after the international filing date or priority date and not in conflict with the application but cited to understand the principle or theory underlying the invention *X* document of particular relevance; the claimed invention cannot be considered novel or cannot be considered to involve an inventive step when the document is taken alone *Y* document of particular relevance; the claimed invention cannot be considered to involve an inventive step when the document is combined with one or more other such documents, such combination being obvious to a person skilled in the art. *&* document member of the same patent family
Date of the actual completion of the international search  1 February 2006		Date of mailing of the international search report  10/02/2006
Name and mailing address of the ISA/ European Patent Office, P.B. 5818 Patentlaan 2 NL - 2280 HV Rijswijk Tel. (+31-70) 340-2040, Tx. 31 651 epo nl, Fax: (+31-70) 340-3016		Authorized officer  Merckx, A

# INTERNATIONAL SEARCH REPORT

Information on patent family members

International application No

PCT/EP2005/055615

Patent document cited in search report		Publication date	Patent family member(s)	Publication date
GB 666355	A	13-02-1952	NONE	
US 2261326	A	04-11-1941	NONE	
US 2737746	A	13-03-1956	NONE	
US 5878982	A	09-03-1999	NONE	
US 2001029698	A1	18-10-2001	NONE	