

[54] OIL HEATER

[56] References Cited  
PUBLICATIONS

[75] Inventors: Shigetoshi Hazama; Shuzo Sawa; Mafafumi Ikeda; Akira Esaki, all of Osaka, Japan

Hardware Age-Jul. 1980-p. 19-Toyokuni heater 80-EGQ.  
Hardware Age-Sep. 1980-p. 75-Kerotech "Resident" heater.  
Hardware Age-Jun. 1981-p. 57-Corona heaters.  
Hardware Age-Jun. 1981-p. 65-Yuasa heater J-20.

[73] Assignee: Sharp Corporation, Osaka, Japan

Primary Examiner—Catherine E. Kemper  
Attorney, Agent, or Firm—Flehr, Hohbach, Test, Albritton & Herbert

[\*\*] Term: 14 Years

[57] CLAIM

[21] Appl. No.: 441,490

The ornamental design for an oil heater, as shown and described.

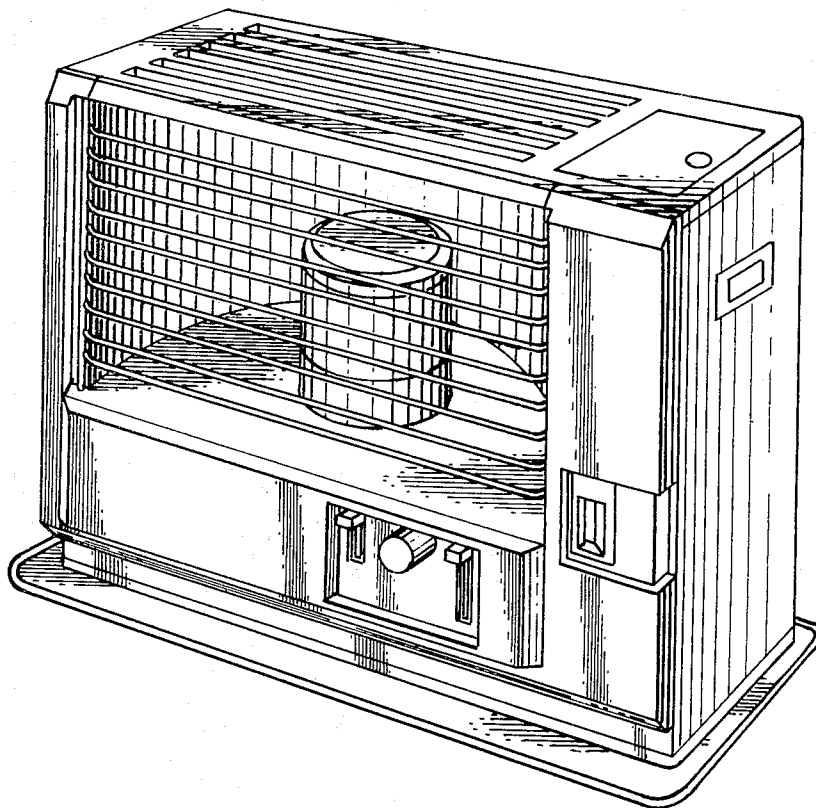
[22] Filed: Nov. 12, 1982

DESCRIPTION

[30] Foreign Application Priority Data

May 11, 1982 [JP] Japan ..... 57-20454  
[52] U.S. Cl. .... D23/123  
[58] Field of Search ..... D23/92, 93, 119-124;  
126/92-97

FIG. 1 is a perspective view of the oil heater showing our new design;  
FIG. 2 is a front elevational view thereof;  
FIG. 3 is a top plan view thereof;  
FIG. 4 is a rear elevational view thereof;  
FIG. 5 is a bottom plan view thereof;  
FIG. 6 is a right side elevational view thereof; and  
FIG. 7 is a left side elevational view thereof.



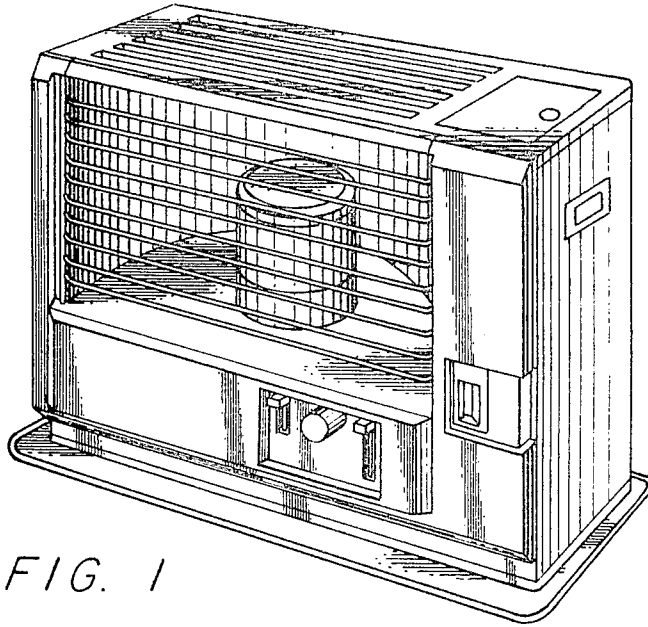


FIG. 1

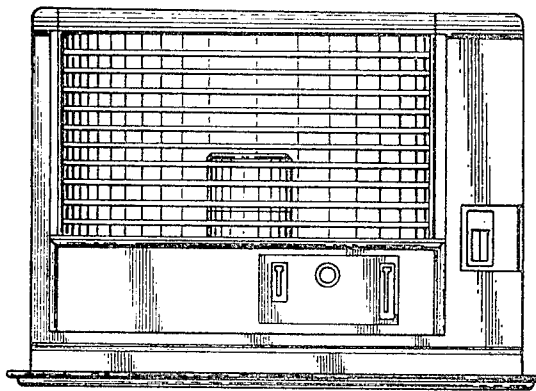


FIG. 2

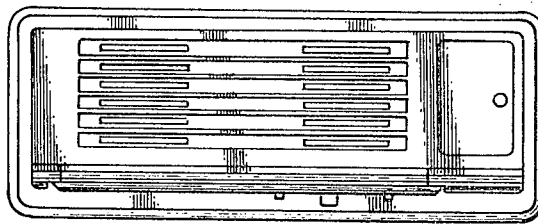


FIG. 3

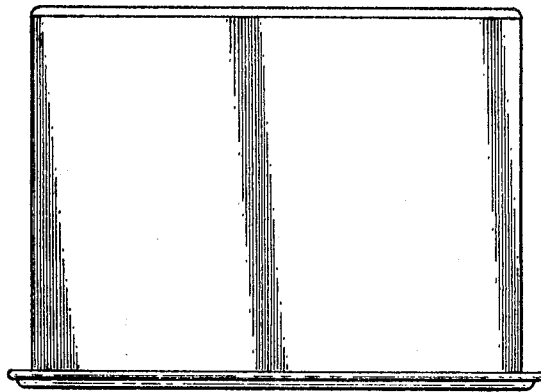


FIG. 4

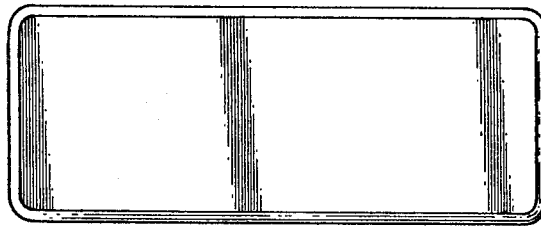


FIG. 5

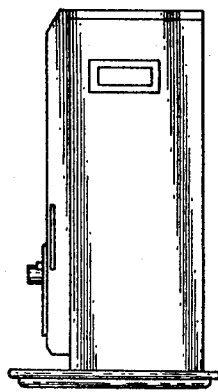


FIG. 6

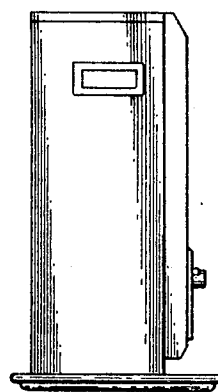


FIG. 7