

(19) World Intellectual Property Organization  
International Bureau



(43) International Publication Date  
20 February 2003 (20.02.2003)

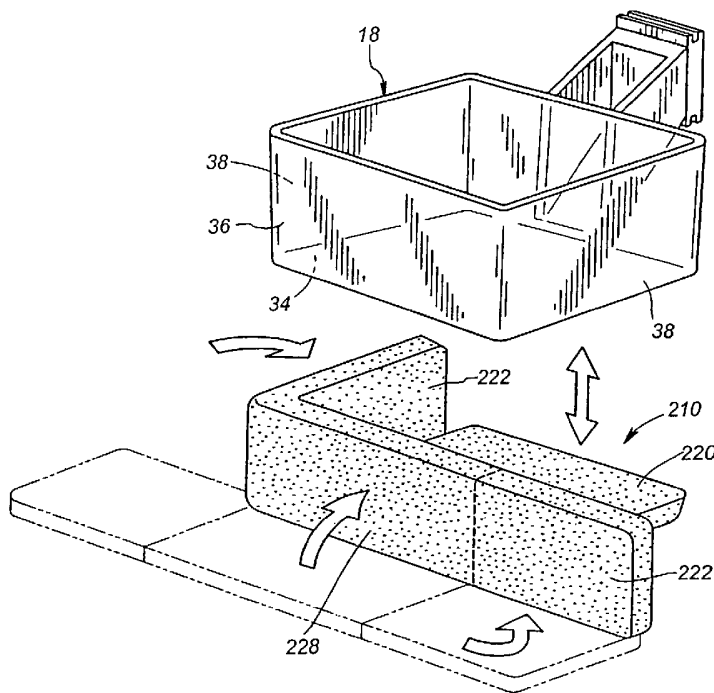
PCT

(10) International Publication Number  
WO 03/013358 A3

- (51) International Patent Classification<sup>7</sup>: **A61B 6/00**, 94301 (US). **LEBOVIC, Gail**; 900 Welch Road, #405, Palo Alto, CA 94304 (US).
  - (21) International Application Number: PCT/US02/23576
  - (22) International Filing Date: 24 July 2002 (24.07.2002)
  - (25) Filing Language: English
  - (26) Publication Language: English
  - (30) Priority Data: 09/922,602 3 August 2001 (03.08.2001) US
  - (71) Applicant: **BIOLUCENT, INC.** [US/US]; Suite 125, 27271 Aliso Creek Road, Aliso Viejo, CA 92656 (US).
  - (72) Inventors: **HIGGINS, Sheryl, W.**; P.O. Box 184, Silverado, CA 92676 (US). **HERMANN, George, D.**; 214A Grove Drive, Portola, CA 94028 (US). **WILLIS, David**; 850 College Avenue, Palo Alto, CA 94306 (US). **HOWELL, Thomas, A.**; 567 Homer Avenue, Palo Alto, CA
  - (74) Agent: **BECK, David**; Bingham McCutchen LLP, Three Embarcadero Center, Suite 1800, San Francisco, CA 94111-4067 (US).
  - (81) Designated States (*national*): AE, AG, AL, AM, AT, AU, AZ, BA, BB, BG, BR, BY, BZ, CA, CH, CN, CO, CR, CU, CZ, DE, DK, DM, DZ, EC, EE, ES, FI, GB, GD, GE, GH, GM, HR, HU, ID, IL, IN, IS, JP, KE, KG, KP, KR, KZ, LC, LK, LR, LS, LT, LU, LV, MA, MD, MG, MK, MN, MW, MX, MZ, NO, NZ, PL, PT, RO, RU, SD, SE, SG, SI, SK, SL, TJ, TM, TR, TT, TZ, UA, UG, UZ, VN, YU, ZA, ZW.
  - (84) Designated States (*regional*): European patent (AT, BE, BG, CH, CY, CZ, DE, DK, EE, ES, FI, FR, GB, GR, IE, IT, LU, MC, NL, PT, SE, SK, TR).
- Published:** — with international search report

[Continued on next page]

(54) Title: DEVICE FOR CUSHIONING OF COMPRESSION SURFACES IN MAMMOGRAPHY



(57) Abstract: A pad for cushioning a compression device, e.g., an x-ray plate, of a mammography unit. The pad includes a radiolucent central region, e.g., including radiolucent orientation markings, that is secured adjacent a contact surface of the x-ray plate. The pad includes a pair of side regions secured along respective side surfaces of the x-ray plate including a slot for inserting an x-ray cassette into the x-ray plate. The pad also includes a front region securable along a front surface of the x-ray plate. A double coated tape may be attached to the pad that includes a pressure sensitive adhesive for removably attaching the pad to the x-ray plate. Alliteratively, the side regions may extend around the compression device and connect to one another to secure the pad or the pad may be a sleeve that is slidably received around at least a portion of the compression device.



WO 03/013358 A3



---

**(88) Date of publication of the international search report:**

4 December 2003

*For two-letter codes and other abbreviations, refer to the "Guidance Notes on Codes and Abbreviations" appearing at the beginning of each regular issue of the PCT Gazette.*

# INTERNATIONAL SEARCH REPORT

International Application No  
PCT/US 02/23576

A. CLASSIFICATION OF SUBJECT MATTER  
IPC 7 A61B6/00 A61B6/04 A61B8/08

According to International Patent Classification (IPC) or to both national classification and IPC

**B. FIELDS SEARCHED**

Minimum documentation searched (classification system followed by classification symbols)  
IPC 7 A61B G03B

Documentation searched other than minimum documentation to the extent that such documents are included in the fields searched

Electronic data base consulted during the international search (name of data base and, where practical, search terms used)

**C. DOCUMENTS CONSIDERED TO BE RELEVANT**

Category °	Citation of document, with indication, where appropriate, of the relevant passages	Relevant to claim No.
P,X	WO 01 66013 A (BIOLUCENT INC ;HOWELL THOMAS A (US); LEBOVIC GAIL (US); WILLIS DAV) 13 September 2001 (2001-09-13) abstract; figures 6-10 ---	1,3,5-15
A	EP 0 682 913 A (SHERMAN ELEANOR) 22 November 1995 (1995-11-22) column C, line 32-54; figures 8,9 ---	1
A	US 5 185 776 A (TOWNSEND BOYD E) 9 February 1993 (1993-02-09) cited in the application claim 1 ---	1
A	FR 2 702 059 A (BERNEUIL GERARD ;BERNEUIL PAUL) 2 September 1994 (1994-09-02) page 5, line 15-27; figures 1-5 --- -/--	1

Further documents are listed in the continuation of box C.

Patent family members are listed in annex.

° Special categories of cited documents :

- "A" document defining the general state of the art which is not considered to be of particular relevance
- "E" earlier document but published on or after the international filing date
- "L" document which may throw doubts on priority claim(s) or which is cited to establish the publication date of another citation or other special reason (as specified)
- "O" document referring to an oral disclosure, use, exhibition or other means
- "P" document published prior to the international filing date but later than the priority date claimed

- "T" later document published after the international filing date or priority date and not in conflict with the application but cited to understand the principle or theory underlying the invention
- "X" document of particular relevance; the claimed invention cannot be considered novel or cannot be considered to involve an inventive step when the document is taken alone
- "Y" document of particular relevance; the claimed invention cannot be considered to involve an inventive step when the document is combined with one or more other such documents, such combination being obvious to a person skilled in the art.
- "&" document member of the same patent family

Date of the actual completion of the international search

29 November 2002

Date of mailing of the international search report

14 03. 2002

Name and mailing address of the ISA

European Patent Office, P.B. 5818 Patentlaan 2  
NL - 2280 HV Rijswijk  
Tel. (+31-70) 340-2040, Tx. 31 651 epo nl,  
Fax: (+31-70) 340-3016

Authorized officer

Jonsson, P

## INTERNATIONAL SEARCH REPORT

International Application No  
PCT/US 02/23576

C.(Continuation) DOCUMENTS CONSIDERED TO BE RELEVANT		
Category °	Citation of document, with indication, where appropriate, of the relevant passages	Relevant to claim No.
A	US 4 433 690 A (TAENZER JON C ET AL) 28 February 1984 (1984-02-28) column 4, line 31-40; figure 2 -----	1

# INTERNATIONAL SEARCH REPORT

International application No.  
PCT/US 02/23576

## Box I Observations where certain claims were found unsearchable (Continuation of item 1 of first sheet)

This International Search Report has not been established in respect of certain claims under Article 17(2)(a) for the following reasons:

1.  Claims Nos.:  
because they relate to subject matter not required to be searched by this Authority, namely:
  
2.  Claims Nos.:  
because they relate to parts of the International Application that do not comply with the prescribed requirements to such an extent that no meaningful International Search can be carried out, specifically:
  
3.  Claims Nos.:  
because they are dependent claims and are not drafted in accordance with the second and third sentences of Rule 6.4(a).

## Box II Observations where unity of invention is lacking (Continuation of item 2 of first sheet)

This International Searching Authority found multiple inventions in this international application, as follows:

see additional sheet

1.  As all required additional search fees were timely paid by the applicant, this International Search Report covers all searchable claims.
2.  As all searchable claims could be searched without effort justifying an additional fee, this Authority did not invite payment of any additional fee.
3.  As only some of the required additional search fees were timely paid by the applicant, this International Search Report covers only those claims for which fees were paid, specifically claims Nos.:
  
4.  No required additional search fees were timely paid by the applicant. Consequently, this International Search Report is restricted to the invention first mentioned in the claims; it is covered by claims Nos.:

1-15

Remark on Protest

The additional search fees were accompanied by the applicant's protest.

No protest accompanied the payment of additional search fees.

FURTHER INFORMATION CONTINUED FROM PCT/ISA/ 210

This International Searching Authority found multiple (groups of) inventions in this international application, as follows:

1. Claims: 1-15

An apparatus for compressing tissue comprising a compression device and a pad made of a compressible material removably secured to a primary contact surface and a side surface of the compression device

2. Claims: 16-26

A pad for cushioning a compression surface of a mammography unit comprising radiolucent material and radiolucent tape

3. Claims: 27-44

A device for attachment to a compression surface of a mammography unit, or an apparatus for compressing tissue comprising a pad made of a radiolucent material, said pad further comprising (radiopaque) markings

## INTERNATIONAL SEARCH REPORT

Information on patent family members

International Application No

PCT/US 02/23576

Patent document cited in search report		Publication date	Patent family member(s)	Publication date
WO 0166013	A	13-09-2001	AU 4007301 A	17-09-2001
			EP 1263321 A2	11-12-2002
			WO 0166013 A2	13-09-2001
			US 2003007597 A1	09-01-2003
-----				
EP 0682913	A	22-11-1995	CA 2123641 A1	17-11-1995
			US 5311883 A	17-05-1994
			EP 0682913 A1	22-11-1995
-----				
US 5185776	A	09-02-1993	NONE	
-----				
FR 2702059	A	02-09-1994	FR 2702059 A1	02-09-1994
-----				
US 4433690	A	28-02-1984	DE 3226976 A1	03-02-1983
-----				