



US00D777105S

(12) **United States Design Patent**  
**Romandy**

(10) **Patent No.:** **US D777,105 S**  
(45) **Date of Patent:** **\*\* Jan. 24, 2017**

- (54) **JACK RECEIVER WITH COVER**
  - (71) Applicant: **Hamilton Beach Brands, Inc.**, Glen Allen, VA (US)
  - (72) Inventor: **Mark K Romandy**, Midlothian, VA (US)
  - (73) Assignee: **Hamilton Beach Brands, Inc.**, Glen Allen, VA (US)
  - (\*\*) Term: **14 Years**
  - (21) Appl. No.: **29/519,639**
  - (22) Filed: **Mar. 6, 2015**
  - (51) **LOC (10) Cl.** ..... **13-03**
  - (52) **U.S. Cl.**  
USPC ..... **D13/133**
  - (58) **Field of Classification Search**  
USPC ..... D7/213, 328, 350.1, 350.3, 387, 402, D7/403, 405; D10/57, 60; D13/110, 118, D13/123, 133, 154, 173, 184, 199  
CPC ..... A47J 37/00; A47J 37/06; A47J 37/08; A45C 3/00; F24C 15/00; F24C 7/082; H05B 6/68; H05B 1/02; H05B 3/06
- See application file for complete search history.

- 6,621,053 B1 9/2003 Wensink et al.
- D494,157 S \* 8/2004 Wikel ..... D14/240
- D494,575 S \* 8/2004 Wikel ..... D14/240
- 6,933,477 B2 8/2005 Becker et al.
- D533,184 S \* 12/2006 Kim ..... D14/203.5
- 7,171,727 B2 2/2007 Wylie et al.

(Continued)

*Primary Examiner* — Thomas Johannes  
*Assistant Examiner* — Shawn T Gingrich  
(74) *Attorney, Agent, or Firm* — Alexander D. Raring

(57) **CLAIM**

The ornamental design for a jack receiver with cover, as shown and described.

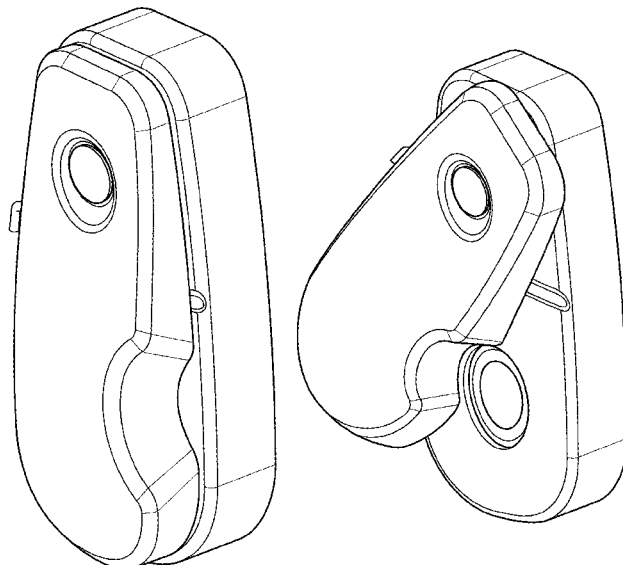
**DESCRIPTION**

FIG. 1 is a perspective view as seen from the top, front and right side of a jack receiver with cover showing the new design in a first position;  
FIG. 2 is a front view thereof;  
FIG. 3 is a left side view thereof;  
FIG. 4 is a right side view thereof;  
FIG. 5 is a top view thereof;  
FIG. 6 is a bottom view thereof;  
FIG. 7 is an additional perspective view thereof;  
FIG. 8 is a perspective view as seen from the top, front and right side of the jack receiver with cover showing the new design in a second position;  
FIG. 9 is a front view thereof;  
FIG. 10 is a left side view thereof;  
FIG. 11 is a right side view thereof;  
FIG. 12 is a top view thereof;  
FIG. 13 is a bottom view thereof; and,  
FIG. 14 is an additional perspective view thereof.  
The broken lines are included to show portions of the article that form no part of the claimed design. The dash-dot lines of the FIGS. 7 and 14 are included to show environmental structure that form no part of the claimed design.

(56) **References Cited**  
U.S. PATENT DOCUMENTS

- 4,140,048 A 2/1979 Grove et al.
- 4,345,145 A 8/1982 Norwood
- 4,849,595 A 7/1989 Fowler
- 4,851,644 A 7/1989 Oslin
- 5,694,831 A 12/1997 Haroun et al.
- 6,097,016 A 8/2000 Hirata et al.
- 6,111,240 A 8/2000 Kishimoto et al.
- D460,041 S \* 7/2002 Tsay ..... D13/107
- D464,329 S \* 10/2002 Mainiero ..... D13/169
- 6,486,453 B1 11/2002 Bales et al.

**1 Claim, 6 Drawing Sheets**



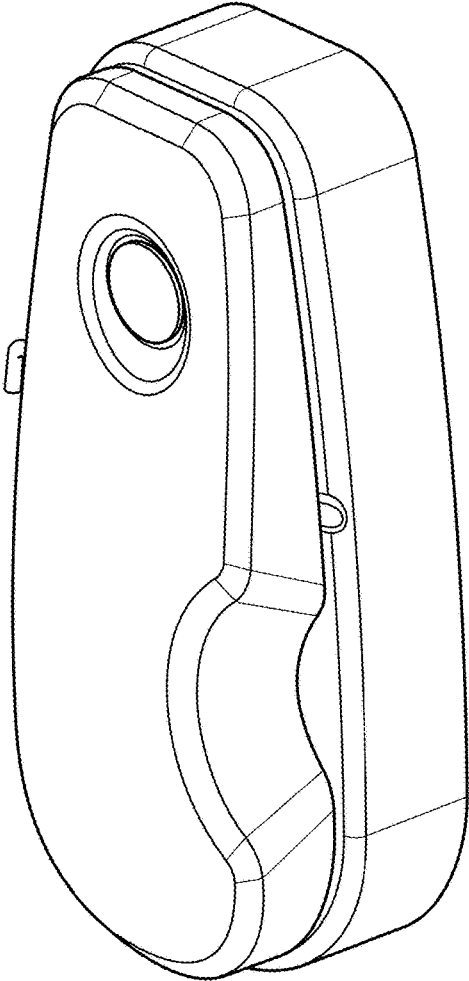
(56)

**References Cited**

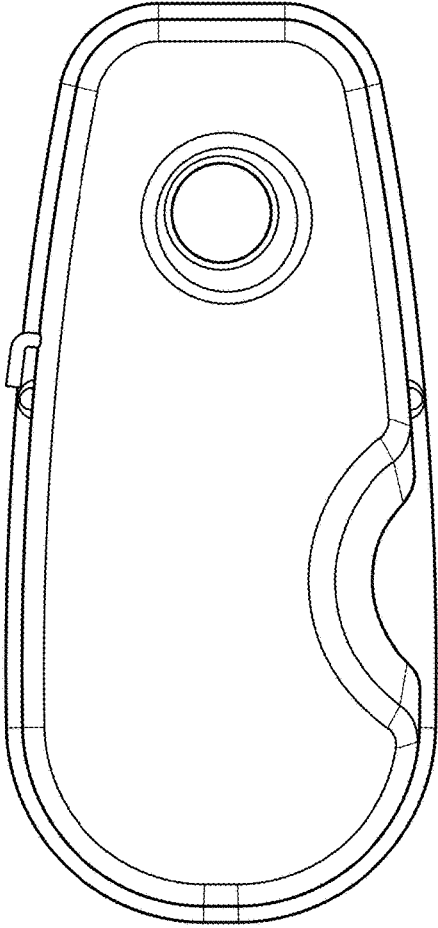
## U.S. PATENT DOCUMENTS

7,481,153	B2	1/2009	Barnes et al.	
D587,959	S	3/2009	Hensel	
7,619,186	B2	11/2009	Cavada et al.	
D633,496	S *	3/2011	Busri .....	D14/358
8,136,442	B2	3/2012	Strutin-Belinoff et al.	
D658,439	S	5/2012	Curtis et al.	
D662,759	S	7/2012	Blacken et al.	
D663,156	S	7/2012	Curtis et al.	
D668,505	S	10/2012	Shrader et al.	
8,669,500	B2	3/2014	Hensel et al.	
D744,959	S *	12/2015	Farnum .....	D13/156
D745,467	S *	12/2015	Farnum .....	D13/156
D745,468	S *	12/2015	Farnum .....	D13/156
D745,469	S *	12/2015	Farnum .....	D13/156
2003/0116557	A1	6/2003	Graff	
2007/0045284	A1	3/2007	Balk et al.	
2012/0192851	A1	8/2012	Hensel et al.	
2016/0073814	A1 *	3/2016	Kiriishi .....	A47J 27/004 99/348

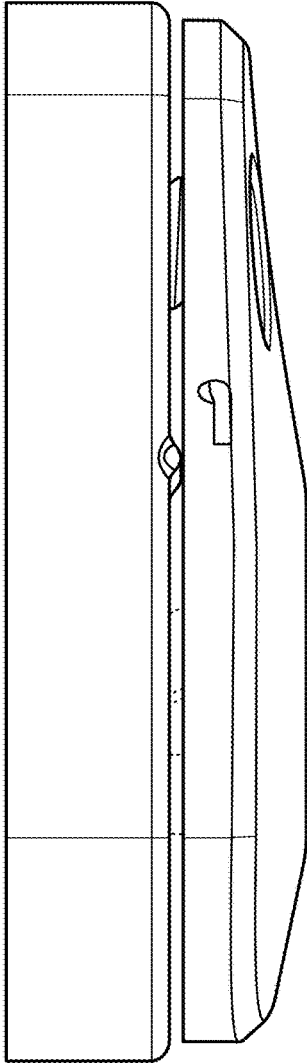
\* cited by examiner



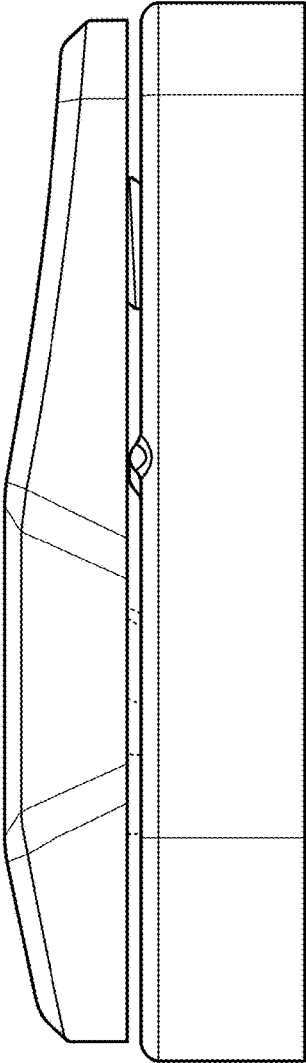
**FIG. 1**



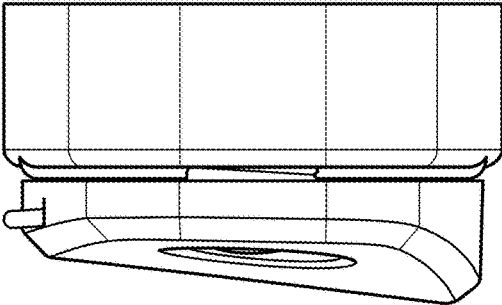
**FIG. 2**



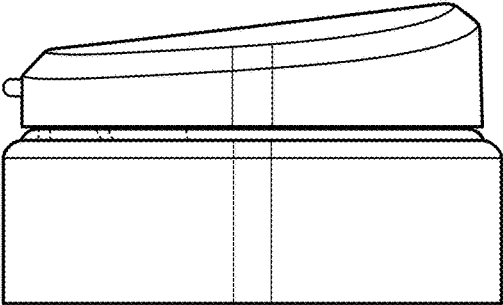
**FIG. 3**



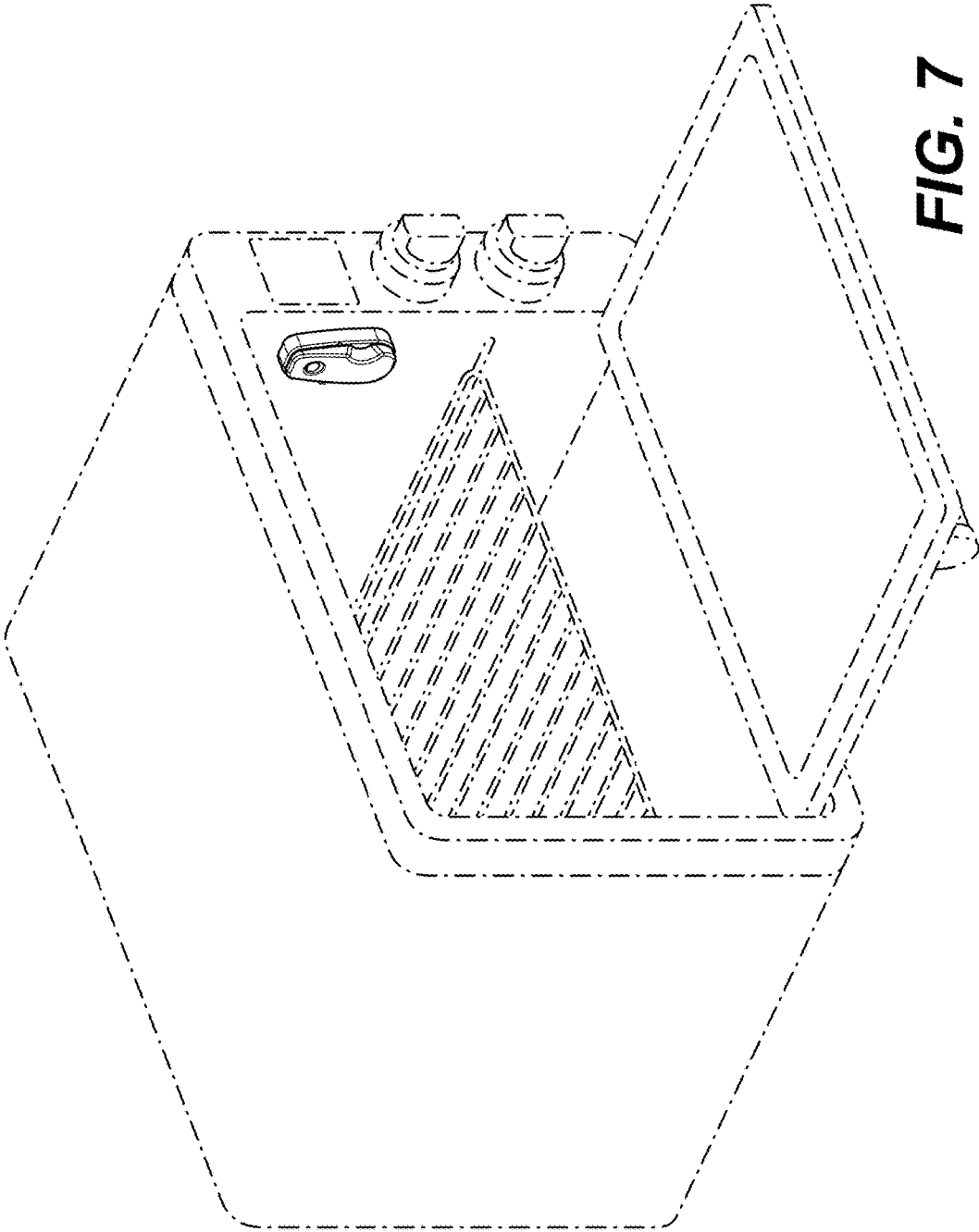
**FIG. 4**



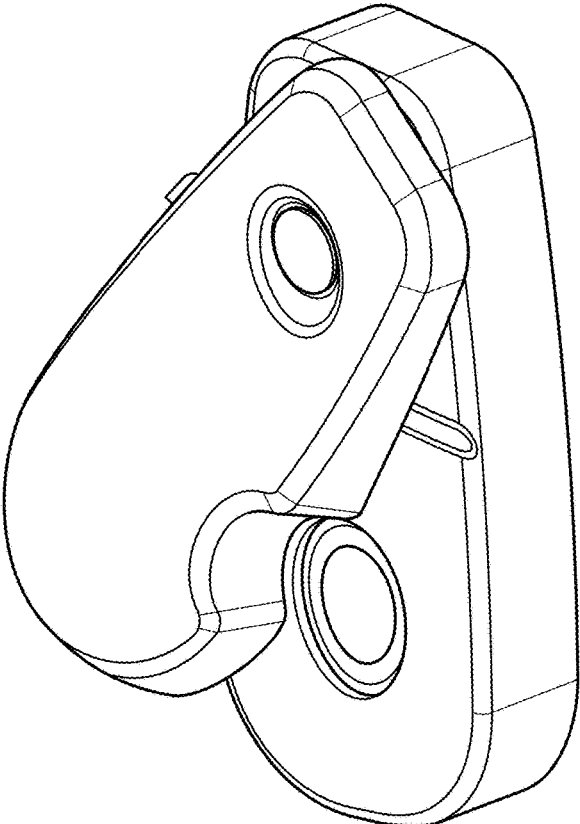
**FIG. 5**



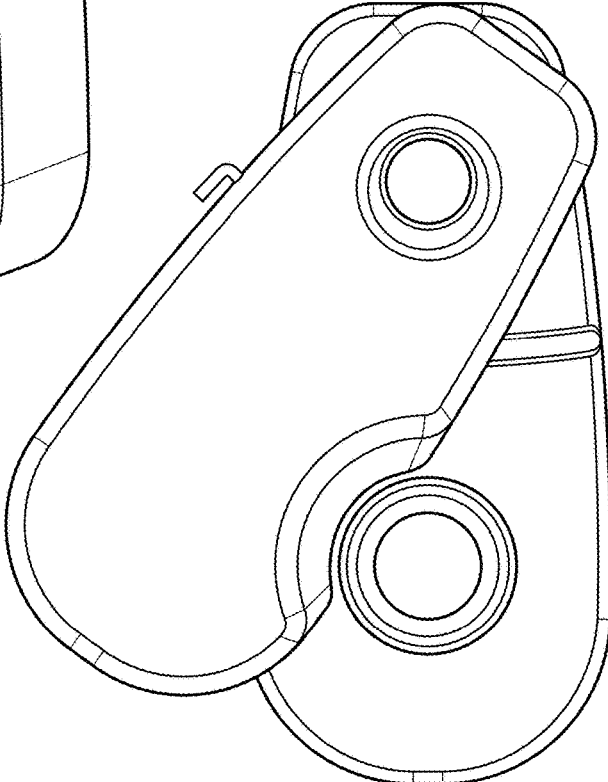
**FIG. 6**



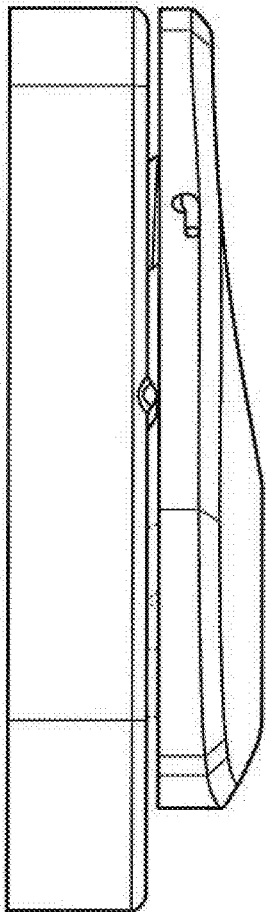
**FIG. 7**



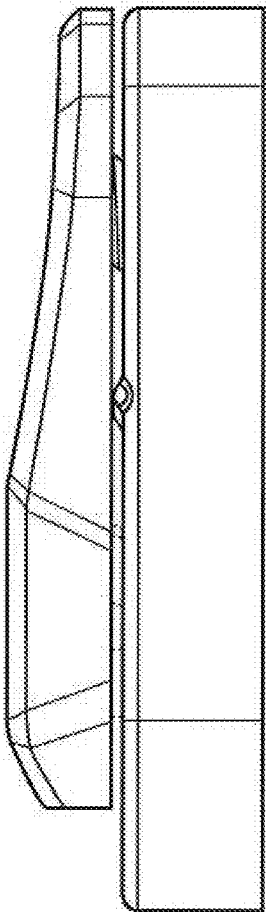
**FIG. 8**



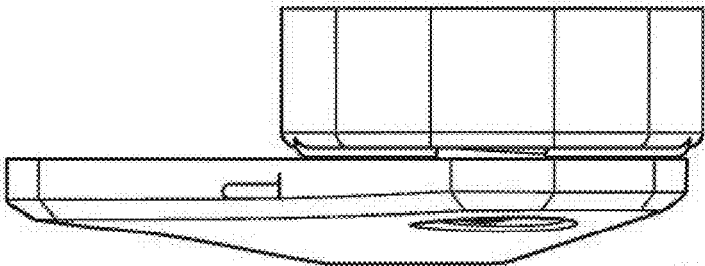
**FIG. 9**



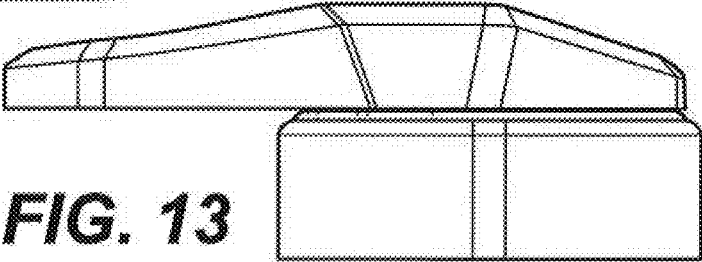
**FIG. 10**



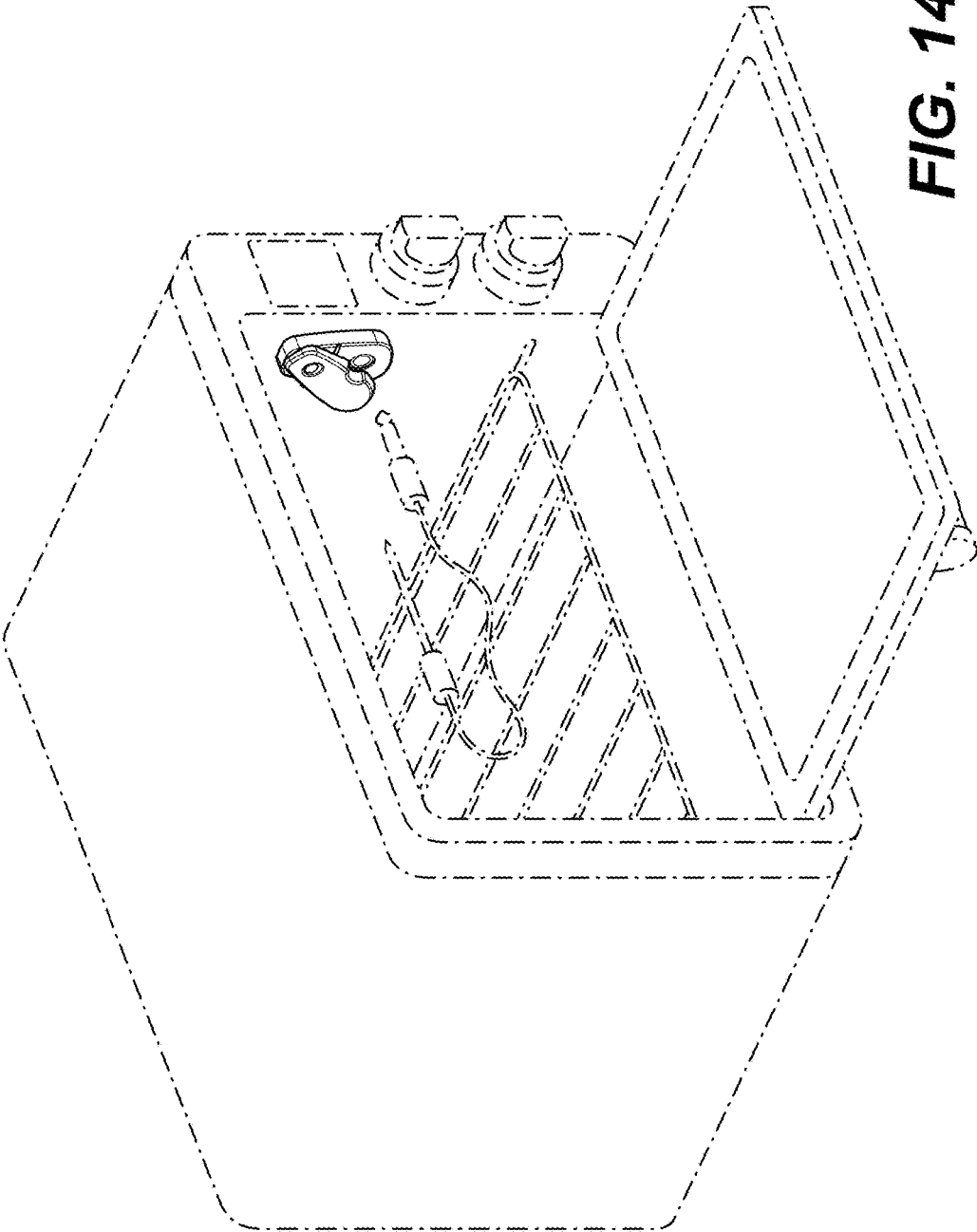
**FIG. 11**



**FIG. 12**



**FIG. 13**



**FIG. 14**