

(19) World Intellectual Property Organization  
International Bureau



(43) International Publication Date  
25 June 2009 (25.06.2009)

PCT

(10) International Publication Number  
**WO 2009/079164 A3**

(51) International Patent Classification:

*B64C 27/35* (2006.01)      *B64C 27/473* (2006.01)  
*B64C 27/48* (2006.01)      *B64C 27/51* (2006.01)

(21) International Application Number:

PCT/US2008/084452

(22) International Filing Date:

23 November 2008 (23.11.2008)

(25) Filing Language:

English

(26) Publication Language:

English

(30) Priority Data:

11/959,945    19 December 2007 (19.12.2007)      US

(71) Applicant (for all designated States except US): **SIKORSKY AIRCRAFT CORPORATION** [US/US]; 6900 Main Street, P.O. Box 9729, Stratford, CT 06615 (US).

(72) Inventors; and

(75) Inventors/Applicants (for US only): **CUNNINGHAM, Robert** [US/US]; 12 Kenilworth Drive East, Stamford, CT 06902 (US). **BYRNES, Francis Edward** [US/US]; 3 Robinhood Road, White Plains, NY 10605 (US).

(74) Agent: **WISZ, David L.**; Carlson, Gaskey & Olds, P.C., 400 West Maple Road, Suite 350, Birmingham, MI 48009 (US).

(81) Designated States (unless otherwise indicated, for every kind of national protection available): AE, AG, AL, AM,

AO, AT, AU, AZ, BA, BB, BG, BH, BR, BW, BY, BZ, CA, CH, CN, CO, CR, CU, CZ, DE, DK, DM, DO, DZ, EC, EE, EG, ES, FI, GB, GD, GE, GH, GM, GT, HN, HR, HU, ID, IL, IN, IS, JP, KE, KG, KM, KN, KP, KR, KZ, LA, LC, LK, LR, LS, LT, LU, LY, MA, MD, ME, MG, MK, MN, MW, MX, MY, MZ, NA, NG, NI, NO, NZ, OM, PG, PH, PL, PT, RO, RS, RU, SC, SD, SE, SG, SK, SL, SM, ST, SV, SY, TJ, TM, TN, TR, TT, TZ, UA, UG, US, UZ, VC, VN, ZA, ZM, ZW.

(84) Designated States (unless otherwise indicated, for every kind of regional protection available): ARIPO (BW, GH, GM, KE, LS, MW, MZ, NA, SD, SL, SZ, TZ, UG, ZM, ZW), Eurasian (AM, AZ, BY, KG, KZ, MD, RU, TJ, TM), European (AT, BE, BG, CH, CY, CZ, DE, DK, EE, ES, FI, FR, GB, GR, HR, HU, IE, IS, IT, LT, LU, LV, MC, MT, NL, NO, PL, PT, RO, SE, SI, SK, TR), OAPI (BF, BJ, CF, CG, CI, CM, GA, GN, GQ, GW, ML, MR, NE, SN, TD, TG).

Published:

- with international search report (Art. 21(3))
- before the expiration of the time limit for amending the claims and to be republished in the event of receipt of amendments (Rule 48.2(h))

(88) Date of publication of the international search report:

22 October 2009

(54) Title: UNIFORM FATIGUE LIFE SPHERICAL ELASTOMERIC BEARING

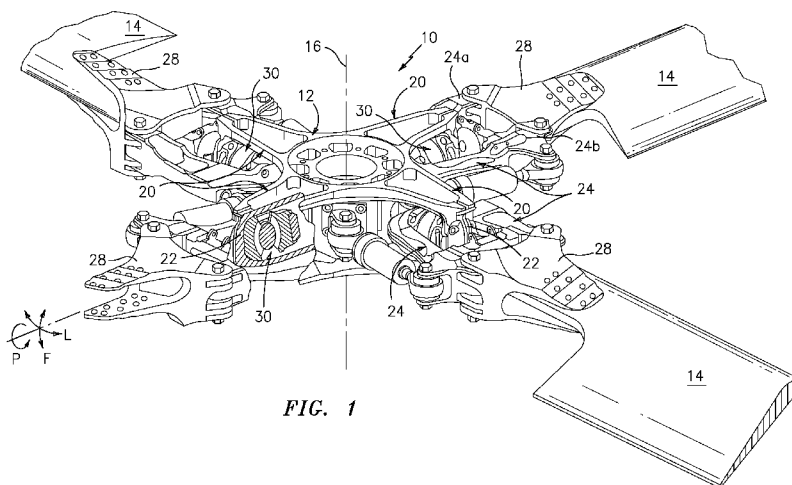


FIG. 1

(57) Abstract: An elastomeric spherical bearing includes a multiple of elastomeric layers with an essentially equivalent fatigue life.



WO 2009/079164 A3

## INTERNATIONAL SEARCH REPORT

International application No.  
**PCT/US2008/084452****A. CLASSIFICATION OF SUBJECT MATTER*****B64C 27/35(2006.01)i, B64C 27/48(2006.01)i, B64C 27/473(2006.01)i, B64C 27/51(2006.01)i***

According to International Patent Classification (IPC) or to both national classification and IPC

**B. FIELDS SEARCHED**

Minimum documentation searched (classification system followed by classification symbols)

IPC : B64C 27/35, B64C 27/48, B64C 27/473, B64C 27/51

Documentation searched other than minimum documentation to the extent that such documents are included in the fields searched

Korean Utility Models and applications for Utility Models since 1975

Japanese Utility Models and applications for Utility Models since 1975

Electronic data base consulted during the international search (name of data base and, where practicable, search terms used)

eKOMPASS(KIPO internal) &amp; keywords : elastomeric, bearing

**C. DOCUMENTS CONSIDERED TO BE RELEVANT**

Category*	Citation of document, with indication, where appropriate, of the relevant passages	Relevant to claim No.
X	US 5601408 A (DAVID H. HUNTER, et al.) 11 FEBRUARY 1997 See column 4, line 49 - column 5, line 44 and figures 1, 2a and 2b.	1-4
A	US 5092738 A (FRANCIS E. BYRNES; FRANK P. D'ANNA.) 3 MARCH 1992 See column 3, line 32 - column 5, line 50 and figures 1, 2.	1
A	US 6971853 B2 (LOUIS CHEMOUNI; LUIGI MAX MAGGI.) 6 DECEMBER 2005 See column 4, line 14 - column 5, line 38 and figures 2, 3.	1

 Further documents are listed in the continuation of Box C. See patent family annex.

\* Special categories of cited documents:

"A" document defining the general state of the art which is not considered to be of particular relevance

"E" earlier application or patent but published on or after the international filing date

"L" document which may throw doubts on priority claim(s) or which is cited to establish the publication date of citation or other special reason (as specified)

"O" document referring to an oral disclosure, use, exhibition or other means

"P" document published prior to the international filing date but later than the priority date claimed

"T" later document published after the international filing date or priority date and not in conflict with the application but cited to understand the principle or theory underlying the invention

"X" document of particular relevance; the claimed invention cannot be considered novel or cannot be considered to involve an inventive step when the document is taken alone

"Y" document of particular relevance; the claimed invention cannot be considered to involve an inventive step when the document is combined with one or more other such documents, such combination being obvious to a person skilled in the art

"&amp;" document member of the same patent family

Date of the actual completion of the international search

28 AUGUST 2009 (28.08.2009)

Date of mailing of the international search report

**28 AUGUST 2009 (28.08.2009)**

Name and mailing address of the ISA/KR

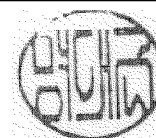
Korean Intellectual Property Office  
Government Complex-Daejeon, 139 Seonsa-ro, Seo-  
gu, Daejeon 302-701, Republic of Korea

Facsimile No. 82-42-472-7140

Authorized officer

MYUNG Dae Keun

Telephone No. 82-42-481-8417



**INTERNATIONAL SEARCH REPORT**

Information on patent family members

International application No.

**PCT/US2008/084452**

Patent document cited in search report	Publication date	Patent family member(s)	Publication date
US 5601408 A	11.02.1997	CN 1067026 C	13.06.2001
		CN 1214016 A	14.04.1999
		CN 1214016 C0	14.04.1999
		EP 0888234 A1	07.01.1999
		EP 0888234 B1	10.01.2001
		JP 3801646 B2	12.05.2006
		JP 2000-506812 A	06.06.2000
		WO 1997-034799 A1	25.09.1997
		US 5092738 A	03.03.1992
EP 0451084 A2	09.10.1991		
EP 0451084 B1	01.03.1995		
JP 2911630 B2	23.06.1999		
JP 04-228399 A	18.08.1992		
US 6971853 B2	06.12.2005	EP 1522493 A1	13.04.2005
		EP 1522493 B1	29.08.2007
		US 2005-0079055 A1	14.04.2005