



US00D342647S

# United States Patent [19]

[11] Patent Number: **Des. 342,647**

**Kastanek**

[45] Date of Patent: **\*\* Dec. 28, 1993**

[54] **DRINKING STRAW DISPENSER**

*Primary Examiner*—Brian N. Vinson  
*Attorney, Agent, or Firm*—Douglas L. Tschida

[76] Inventor: **Allan Kastanek, 344 Taft St. NE.,  
Minneapolis, Minn. 55413**

[57] **CLAIM**

[\*\*] Term: **14 Years**

The ornamental design for a drinking straw dispenser,  
as shown and described.

[21] Appl. No.: **874,423**

### DESCRIPTION

[22] Filed: **Apr. 27, 1992**

FIG. 1 is a top, front, and left side perspective view of  
a drinking straw dispenser showing my new design, the  
broken-line disclosure of a straw is for illustrative pur-  
poses only and forms no part of the claimed design;

[52] U.S. Cl. .... **D7/635; D6/517**

FIG. 2 is a front elevational view thereof;

[58] Field of Search ..... **D7/635; D6/515-517;  
211/49.1; 222/191, 197, 287; 312/42, 45, 72-73**

FIG. 3 is a rear elevational view thereof;

[56] **References Cited**

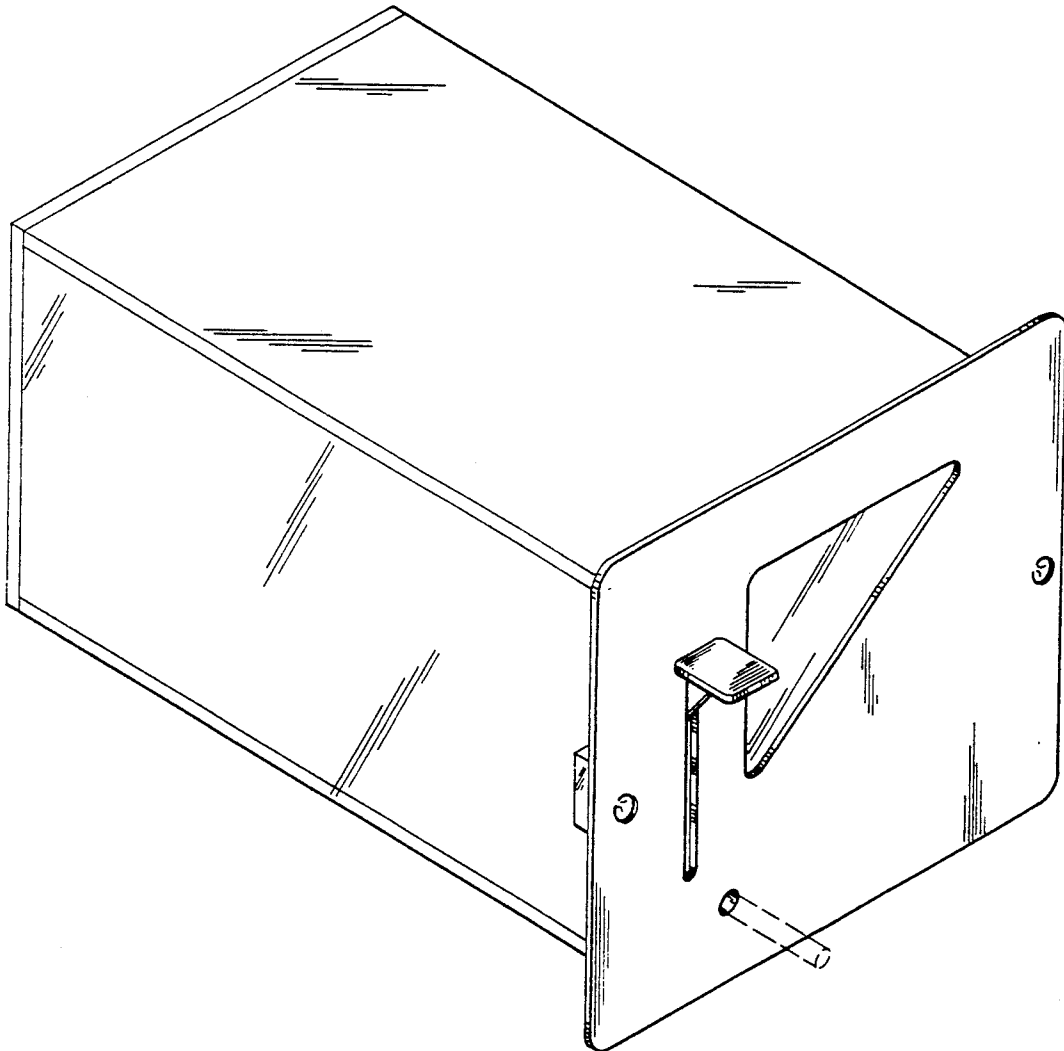
#### U.S. PATENT DOCUMENTS

D. 254,530	3/1980	Armstrong	.....	D7/635
D. 305,588	1/1990	Behringer	.....	D6/517
D. 305,848	2/1990	Marqua et al.	.....	D7/635
D. 317,384	6/1991	Powell	.....	D6/515
2,556,599	6/1951	Raymond	.....	312/73

FIG. 4 is a left side elevational view thereof, the right  
side being a mirror image of that shown;

FIG. 5 is a top plan view thereof, the bottom being a  
mirror image of that shown; and,

FIG. 6 is a top, front, and left side exploded and par-  
tially cut away view thereof.



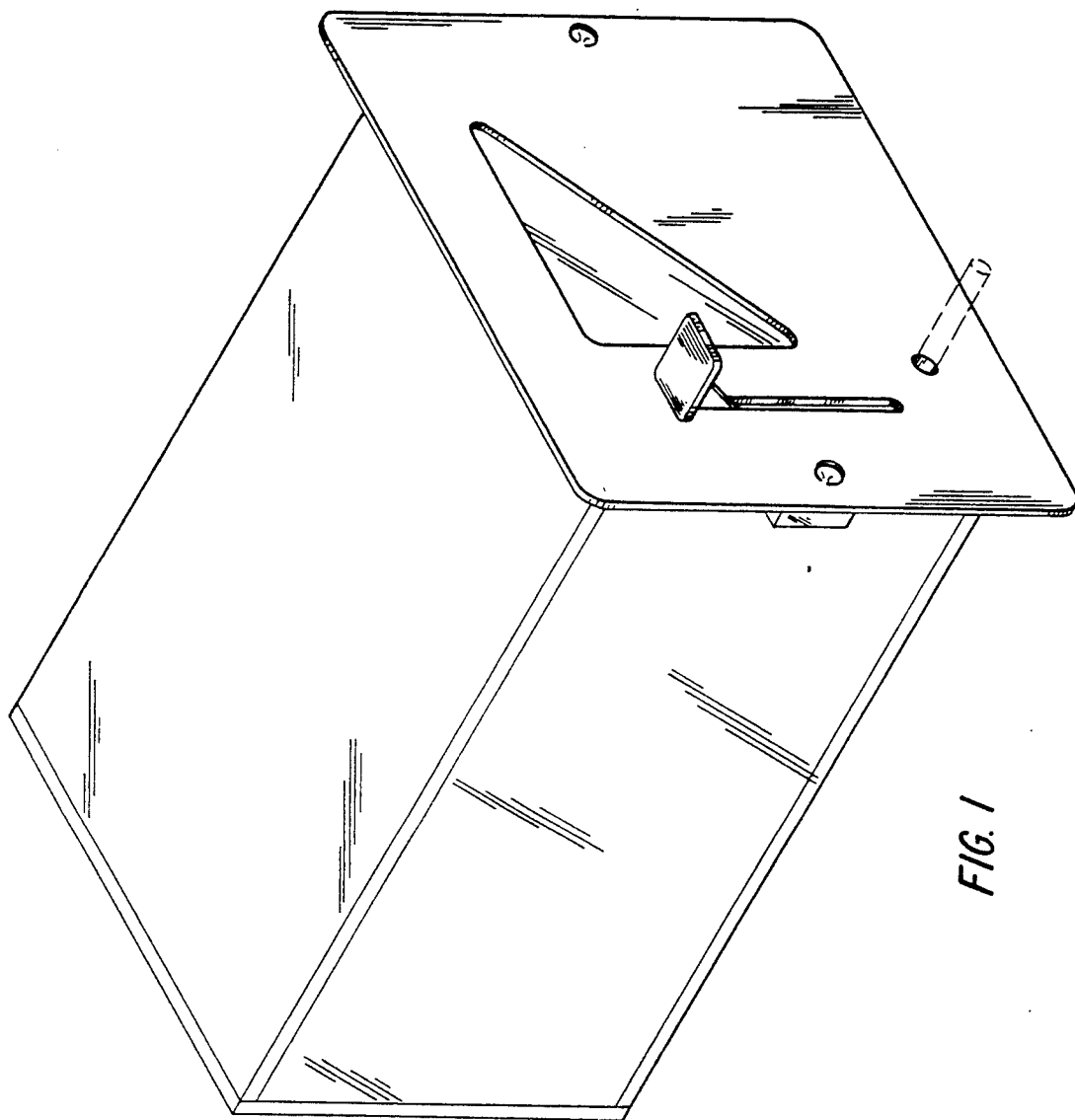


FIG. 1

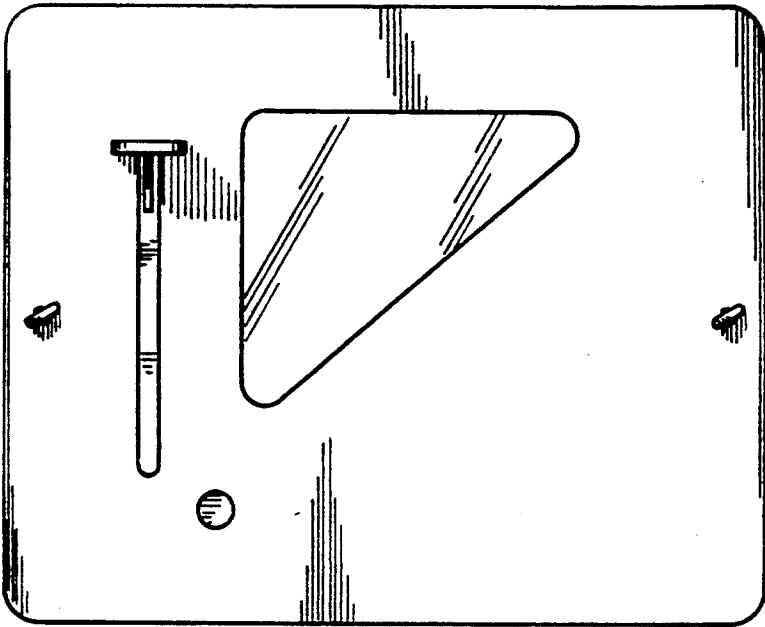


FIG. 2

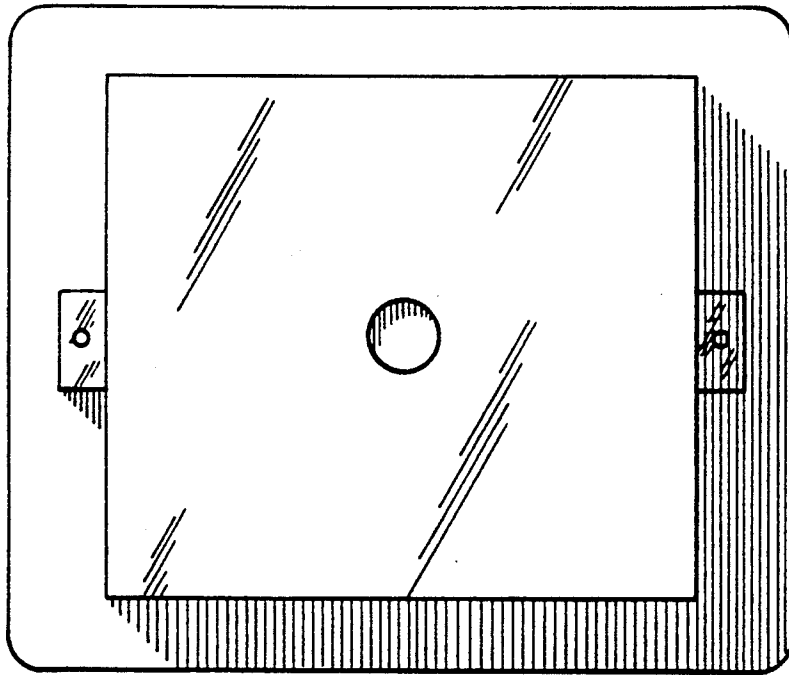


FIG. 3

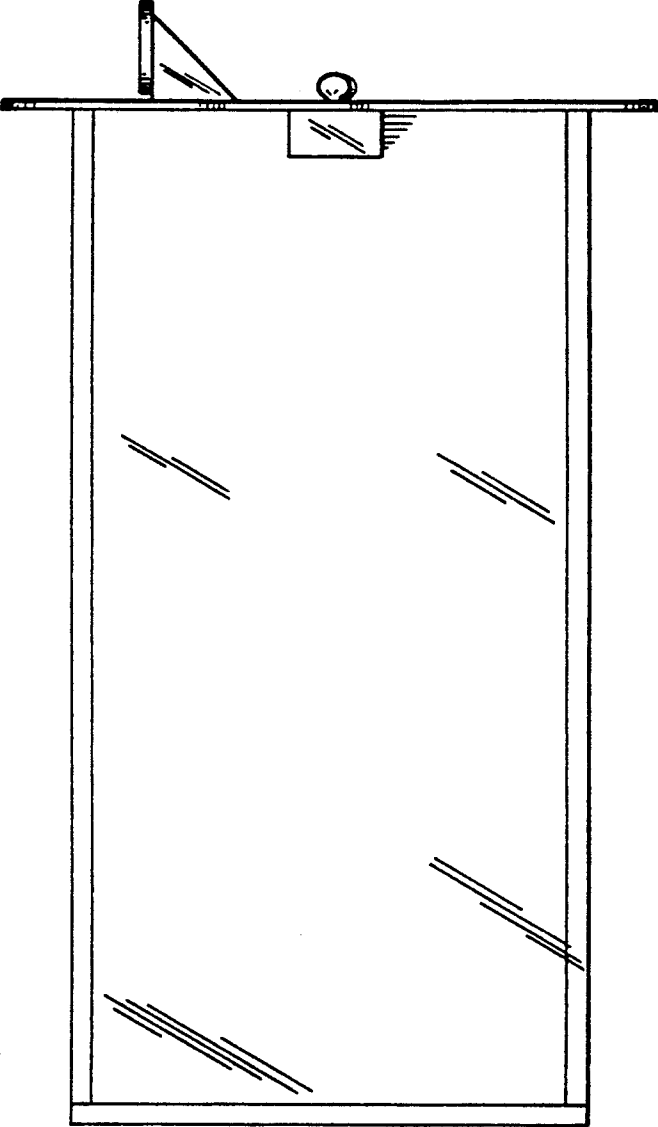


FIG. 4

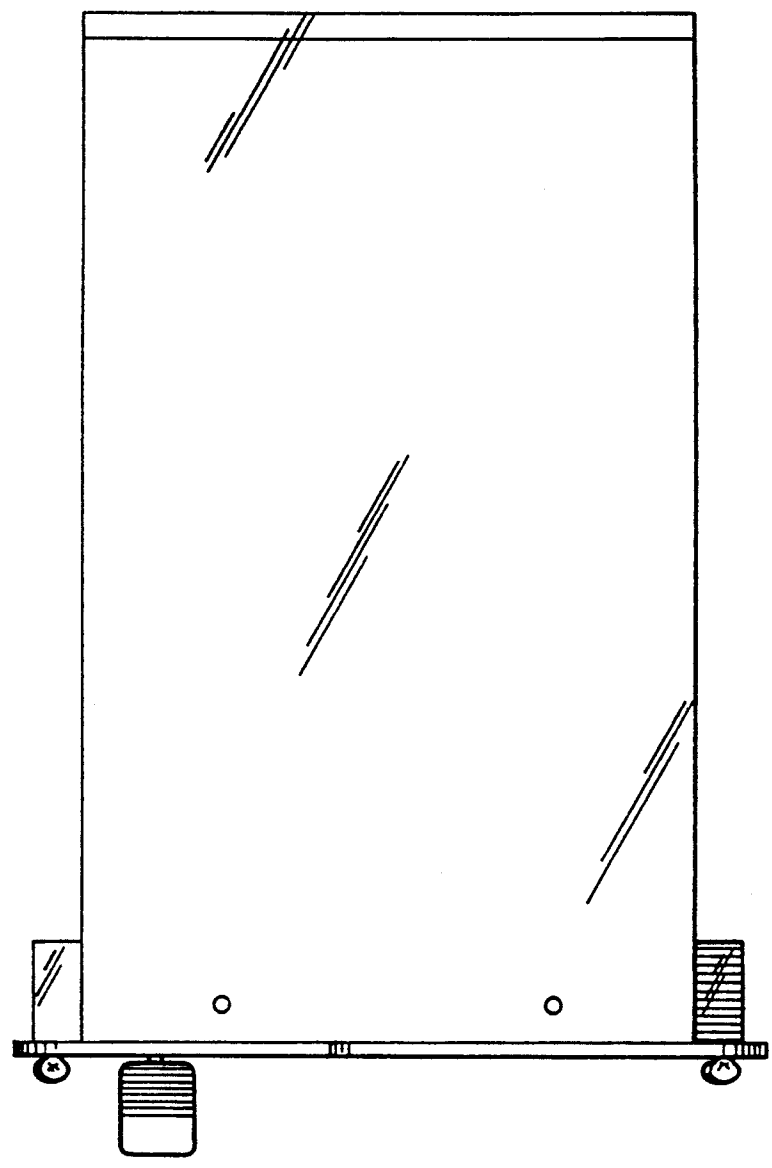


FIG. 5

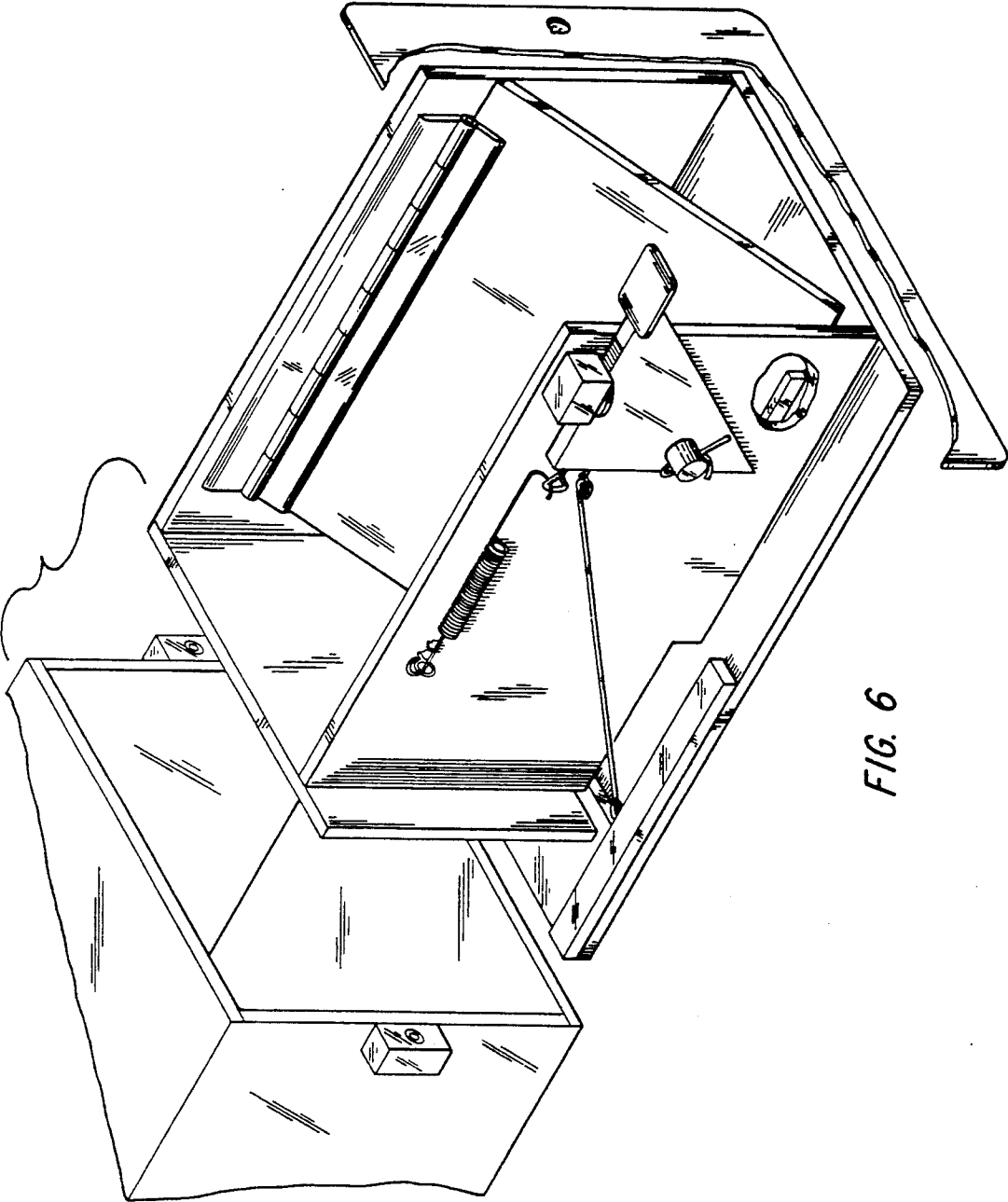


FIG. 6