



US00D886789S

(12) **United States Design Patent**  
**Huang**

(10) **Patent No.:** **US D886,789 S**

(45) **Date of Patent:** **\*\* Jun. 9, 2020**

(54) **BLUETOOTH SPEAKER**

(71) Applicant: **Yurui Huang**, Shenzhen (CN)

(72) Inventor: **Yurui Huang**, Shenzhen (CN)

(\*\*) Term: **15 Years**

(21) Appl. No.: **29/655,209**

(22) Filed: **Jun. 30, 2018**

(51) **LOC (12) Cl.** ..... **14-01**

(52) **U.S. Cl.**  
USPC ..... **D14/204**

(58) **Field of Classification Search**  
USPC ..... D14/188, 203.1–203.8, 204, 210–213,  
D14/215, 216; 181/143, 144, 148, 153,  
181/157, 198, 199; 369/6–12;  
381/300–303, 361–364, 366, 386–388  
CPC ..... H04R 1/02; H04R 1/021; H04R 1/025;  
H04R 1/026; H04R 5/00; H04R 9/06;  
H04R 19/013; H04R 2400/00  
See application file for complete search history.

(56) **References Cited**

**U.S. PATENT DOCUMENTS**

D557,256 S \* 12/2007 Joseph ..... D14/214  
D581,399 S \* 11/2008 Andre ..... D14/214

D621,384 S \* 8/2010 Kao ..... D14/214  
D636,759 S \* 4/2011 Chen ..... D14/214  
D708,228 S \* 7/2014 Fustino ..... D14/203.1  
D715,258 S \* 10/2014 Osborn ..... D14/212  
D741,839 S \* 10/2015 Osborn ..... D14/214  
D753,185 S \* 4/2016 Ryu ..... D14/496  
D781,263 S \* 3/2017 Tong ..... D14/204  
D781,264 S \* 3/2017 Kim ..... D14/204  
D783,433 S \* 4/2017 Kalyan ..... D10/106.2  
D790,539 S \* 6/2017 Lee ..... D14/240

\* cited by examiner

*Primary Examiner* — Janice Patyk  
(74) *Attorney, Agent, or Firm* — HYIP

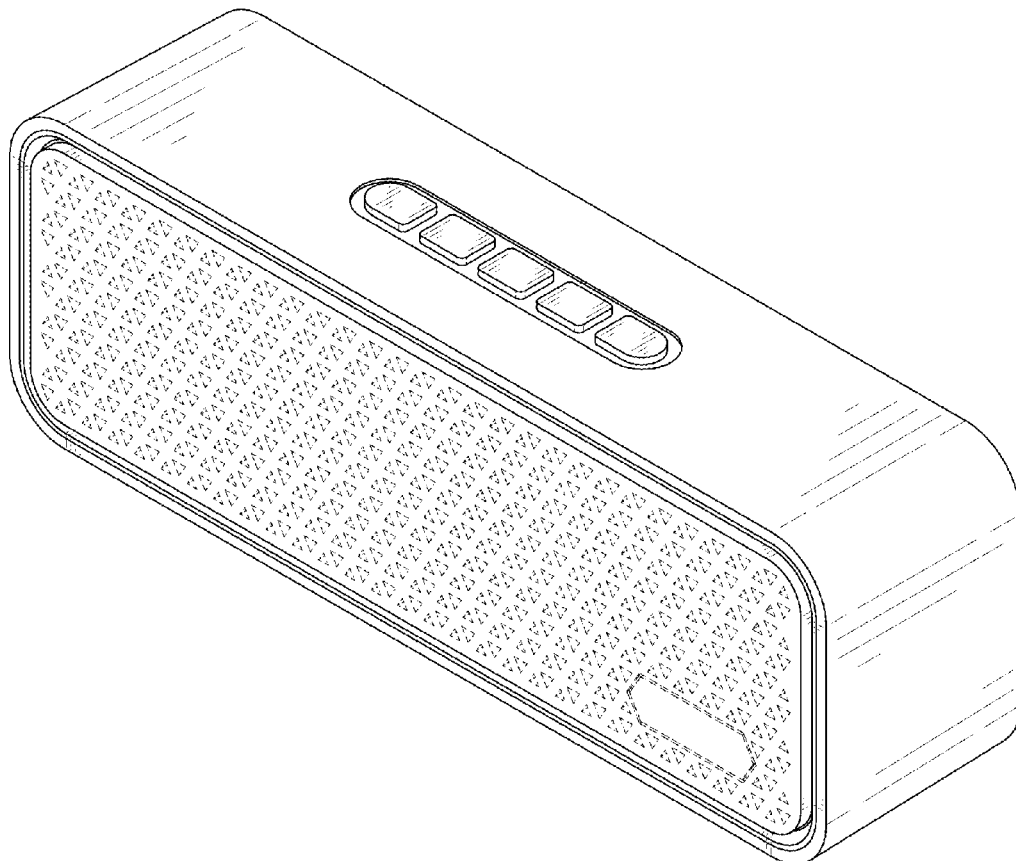
(57) **CLAIM**

The ornamental design for a bluetooth speaker, as shown and described.

**DESCRIPTION**

FIG. 1 is a top perspective view of a bluetooth speaker, showing my new design;  
FIG. 2 is a bottom perspective view thereof;  
FIG. 3 is a front view thereof;  
FIG. 4 is a back view thereof;  
FIG. 5 is a left side view thereof;  
FIG. 6 is a right side view thereof;  
FIG. 7 is a top view thereof; and,  
FIG. 8 is a bottom view thereof.  
The broken lines in the figures illustrate the portions of the design that form no part of the claimed design.

**1 Claim, 8 Drawing Sheets**



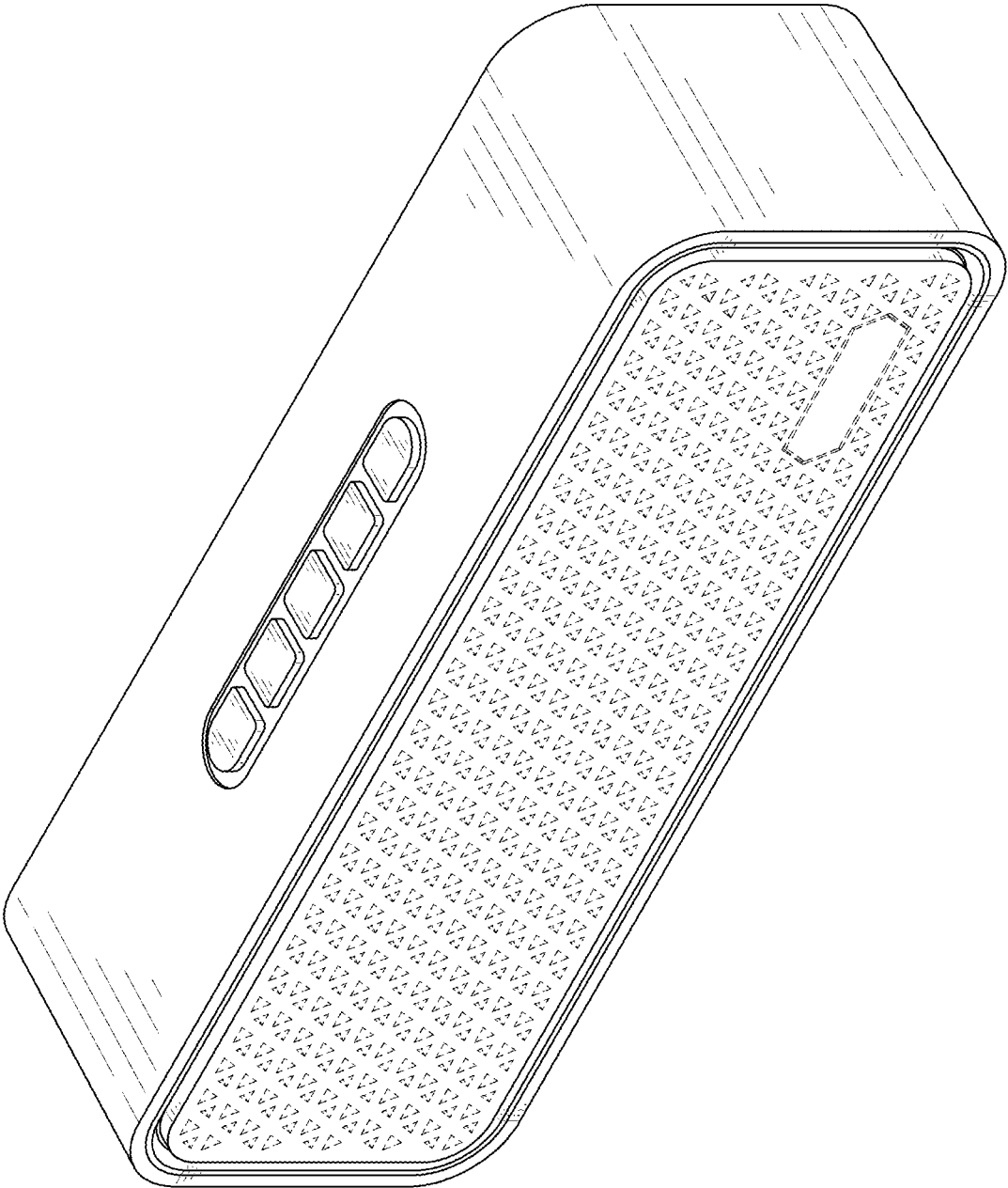


FIG. 1

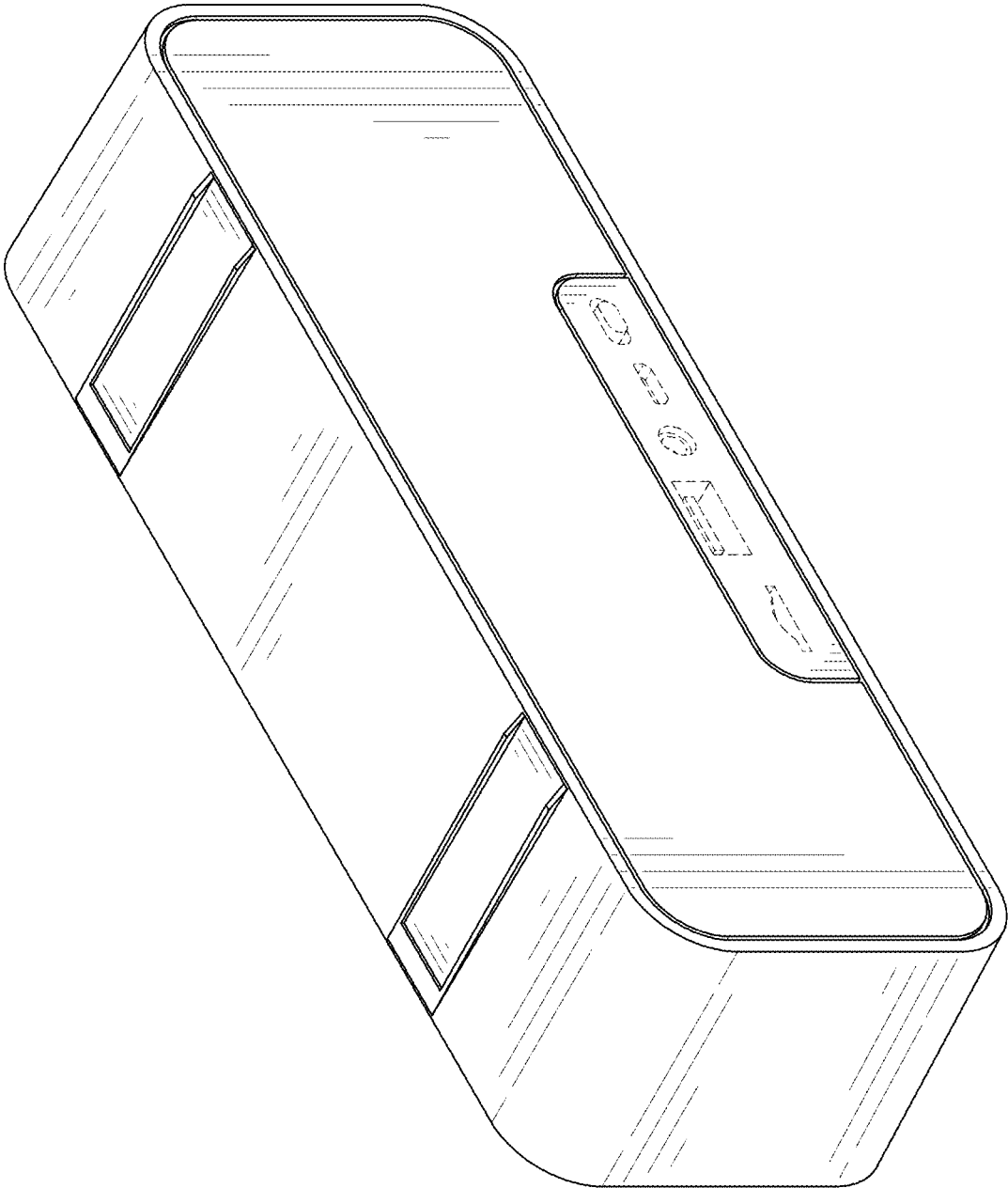


FIG. 2

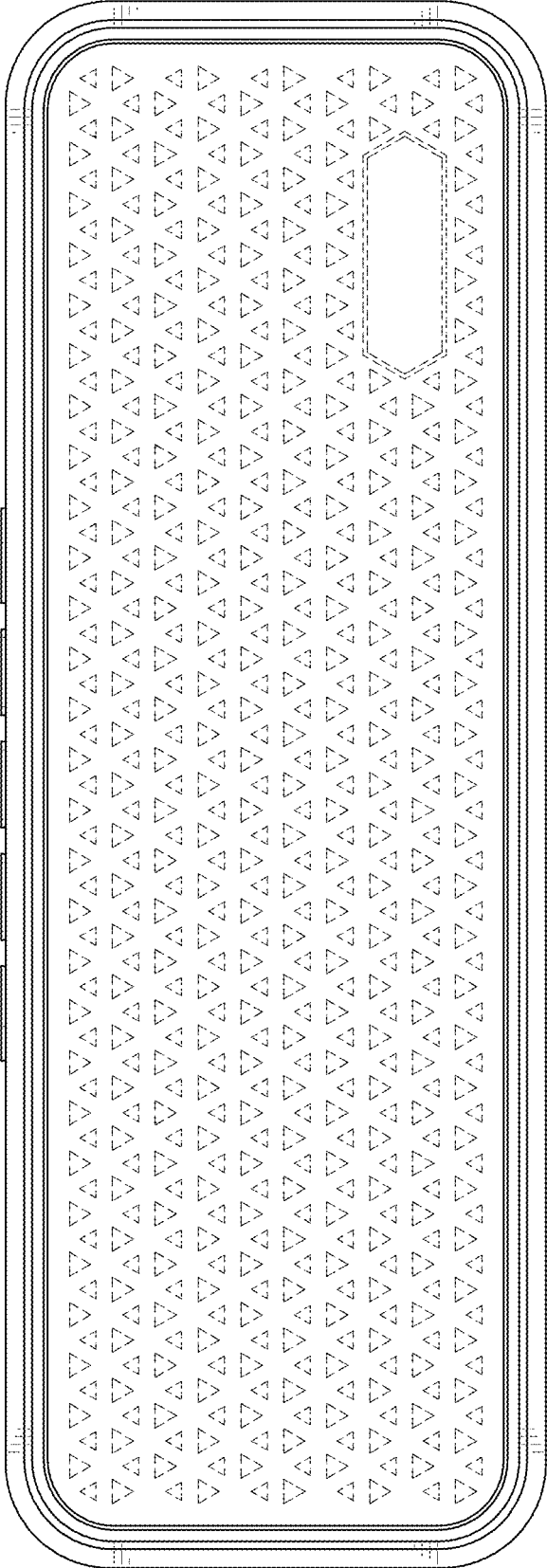


FIG. 3

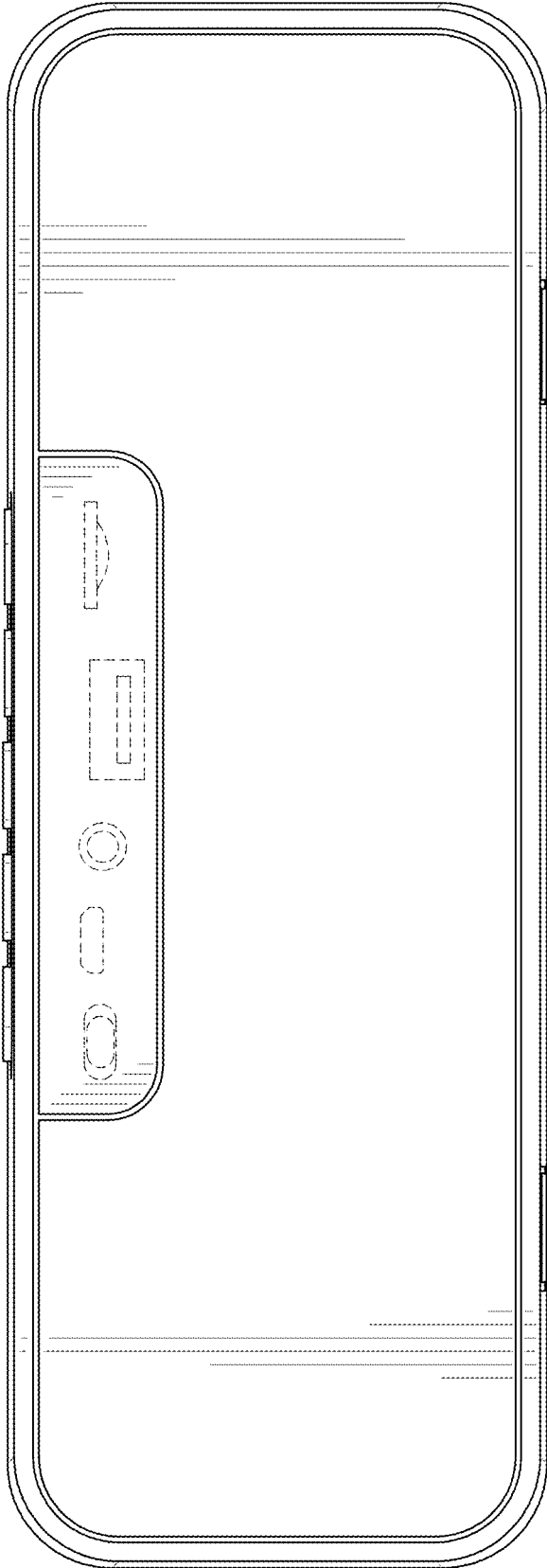


FIG. 4

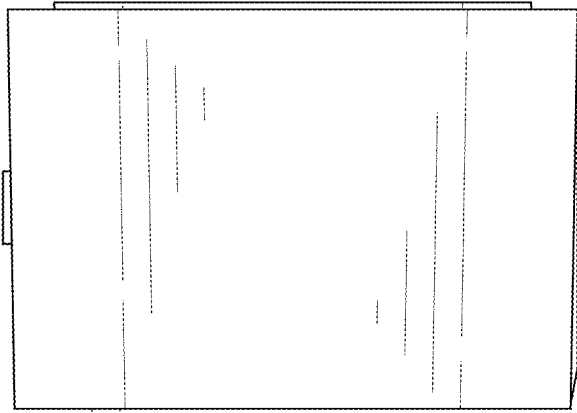


FIG. 5

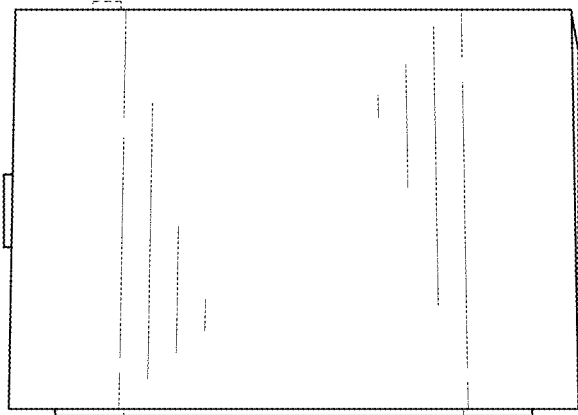


FIG. 6

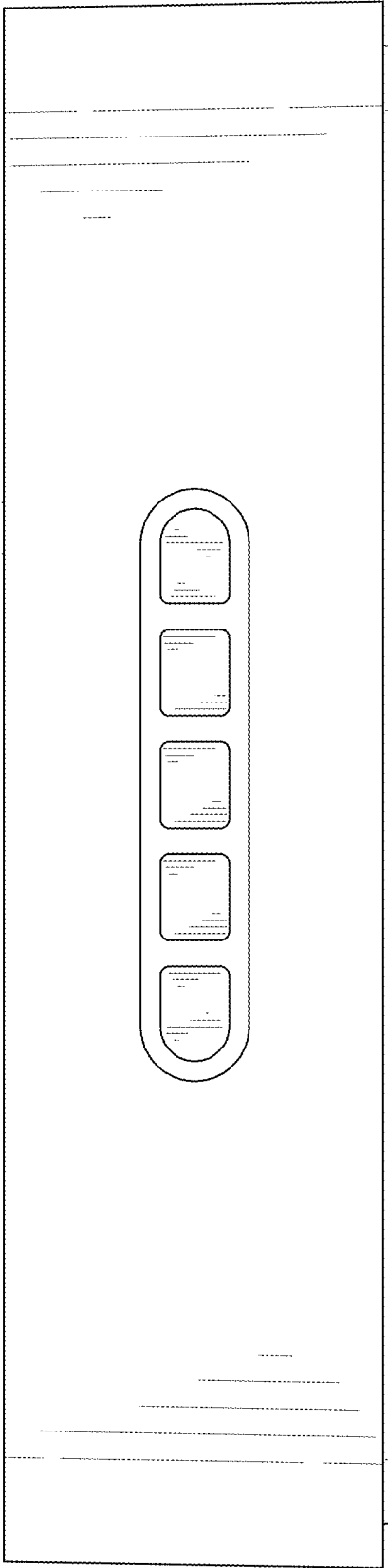


FIG. 7



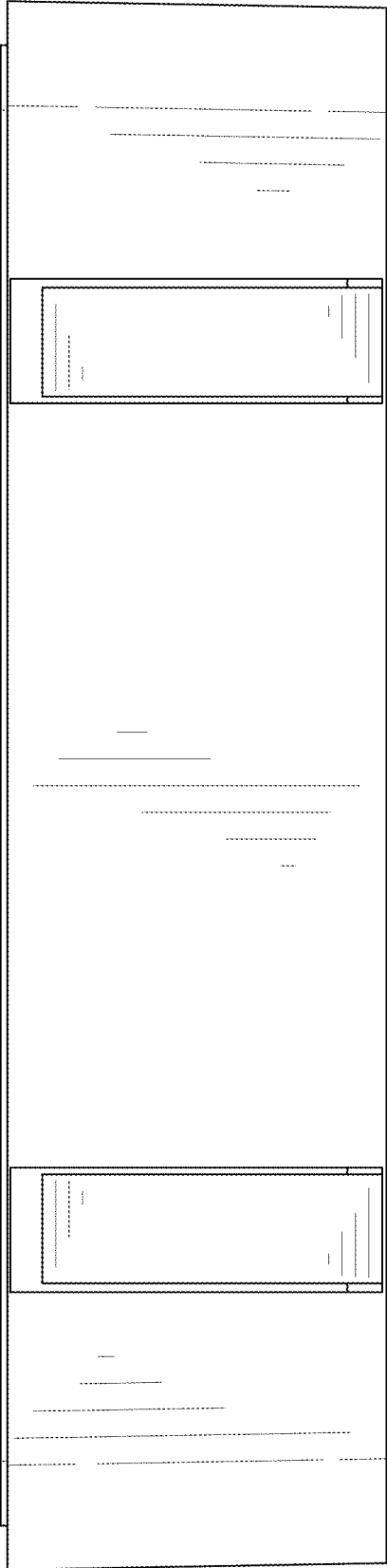


FIG. 8