



US00D827683S

(12) **United States Design Patent** (10) **Patent No.:** **US D827,683 S**  
**Jeon et al.** (45) **Date of Patent:** **\*\* Sep. 4, 2018**

(54) **REFRIGERATOR**

(71) Applicant: **Samsung Electronics Co., Ltd.**,  
Suwon-si (KR)  
(72) Inventors: **Sangwoon Jeon**, Seoul (KR); **Hyunil Lee**, Seoul (KR); **Junhyeok Choi**,  
Seongnam-si (KR)  
(73) Assignee: **SAMSUNG ELECTRONICS CO., LTD.**, Gyeonggi-Do (KR)

(\*\*) Term: **15 Years**  
(21) Appl. No.: **29/599,917**  
(22) Filed: **Apr. 7, 2017**

(30) **Foreign Application Priority Data**

Dec. 26, 2016 (KR) ..... 30-2016-0063165

(51) **LOC (11) Cl.** ..... **15-07**

(52) **U.S. Cl.**  
USPC ..... **D15/85**

(58) **Field of Classification Search**

USPC ..... D15/79-91  
CPC .. F25D 11/00; F25D 17/065; F25D 2325/022;  
F25D 23/069; F25D 25/025; F25D 11/02;  
F25D 17/062; F25D 21/12; F25D 21/125;  
F25D 21/14; F25D 2317/061; F25D  
2317/067; F25D 2323/021; F25D  
2323/024; F25D 23/028; F25D 23/04;  
F25D 23/066; F25D 23/085; F25D  
23/087; F25D 23/126; F25D 2400/02;  
F25D 2400/06; F25D 2400/361; F25D  
2400/40; F25D 25/005; F25D 25/02;  
F25D 2600/02; F25D 2700/02; F25D  
2700/12; F25D 2700/121; F25D 2700/14;  
F25D 29/00

See application file for complete search history.

(56) **References Cited**

U.S. PATENT DOCUMENTS

D666,635	S	*	9/2012	Jidam	.....	D15/86
D674,823	S	*	1/2013	Jidam	.....	D15/86
D773,538	S	*	12/2016	Jeon	.....	D15/86
D786,947	S	*	5/2017	Kim	.....	D15/86
D798,342	S	*	9/2017	Kim	.....	D15/86
D798,343	S	*	9/2017	Kwon	.....	D15/86
D798,344	S	*	9/2017	Kim	.....	D15/86

FOREIGN PATENT DOCUMENTS

CN	301686670	S	9/2011
CN	301760365	S	12/2011
CN	301785993	S	1/2012

\* cited by examiner

*Primary Examiner* — Ian Simmons  
*Assistant Examiner* — Khawaja Anwar  
(74) *Attorney, Agent, or Firm* — Cantor Colburn LLP

(57) **CLAIM**

The ornamental design for a refrigerator, as shown and described.

**DESCRIPTION**

FIG. 1 is the front perspective view of a first embodiment of a refrigerator showing our new design;  
FIG. 2 is the front view thereof;  
FIG. 3 is the rear view thereof;  
FIG. 4 is the left-side view thereof;  
FIG. 5 is the right-side view thereof;  
FIG. 6 is the top view thereof; and,  
FIG. 7 is the bottom view thereof.  
The broken lines illustrating portions of the refrigerator form no part of the claimed design.  
The dot dash lines in the figures represent an unclaimed boundary line and form no part of the claimed design.

**1 Claim, 7 Drawing Sheets**

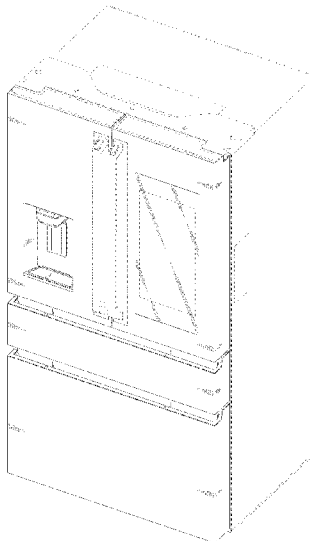


FIG. 1

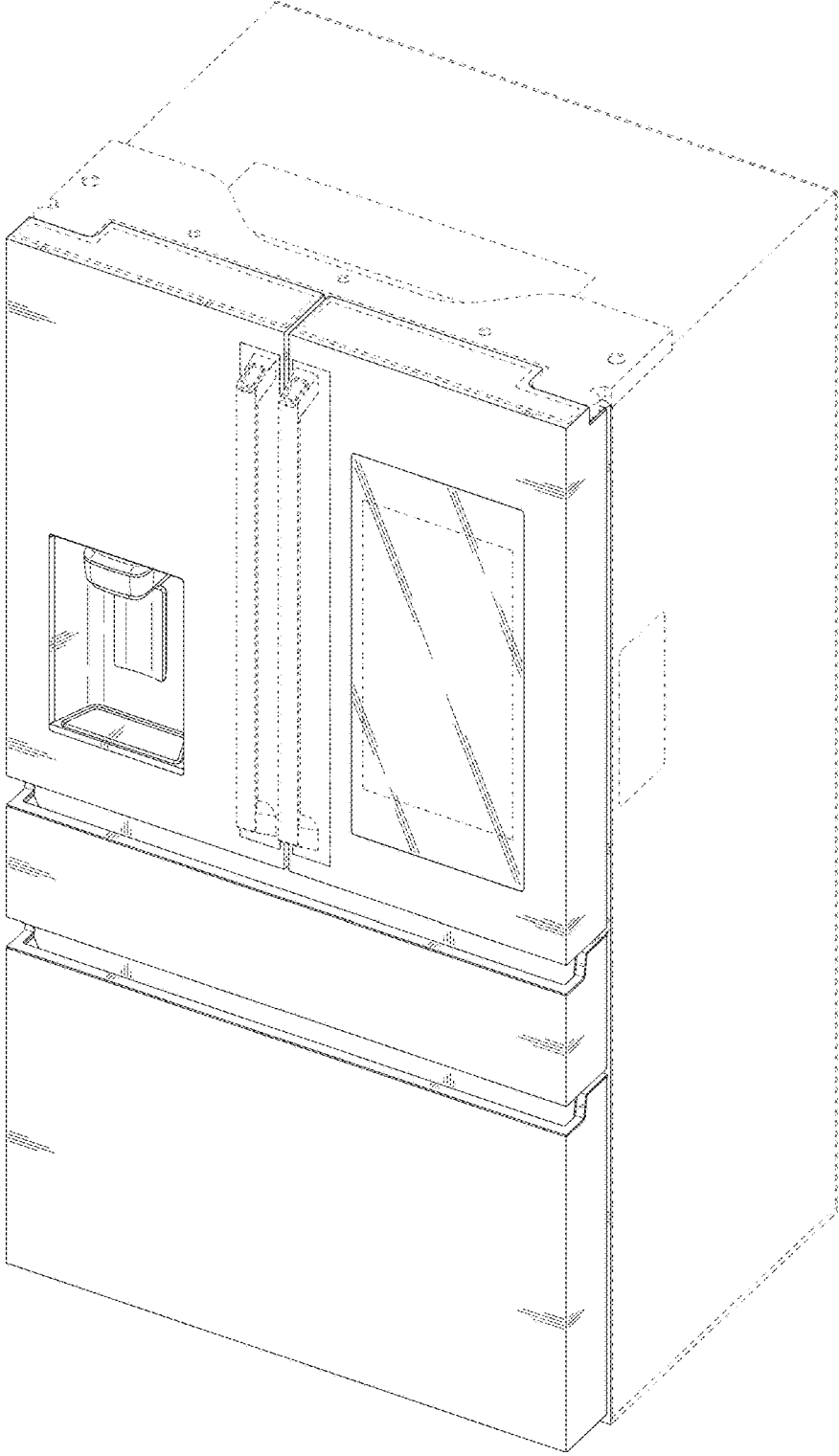


FIG. 2

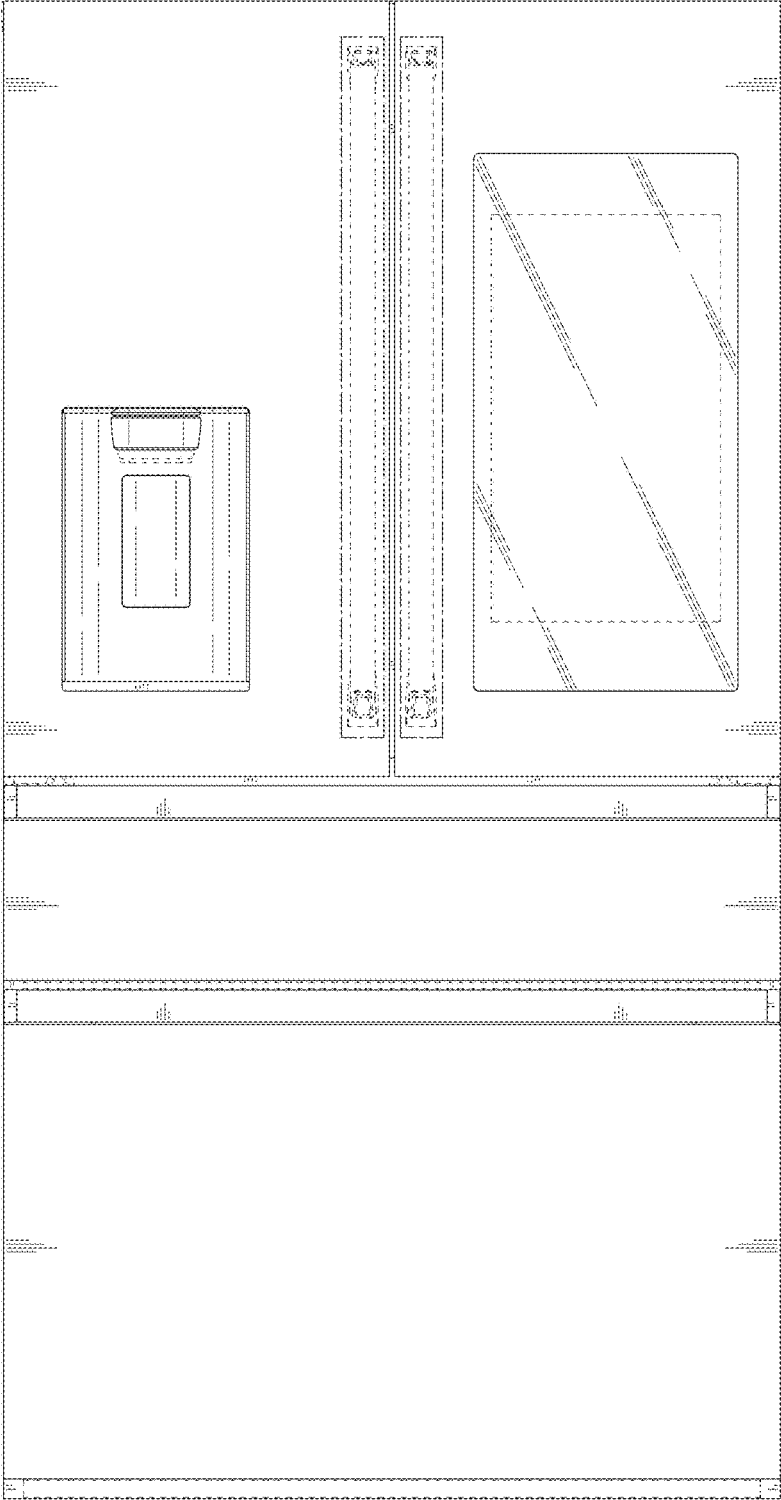


FIG. 3

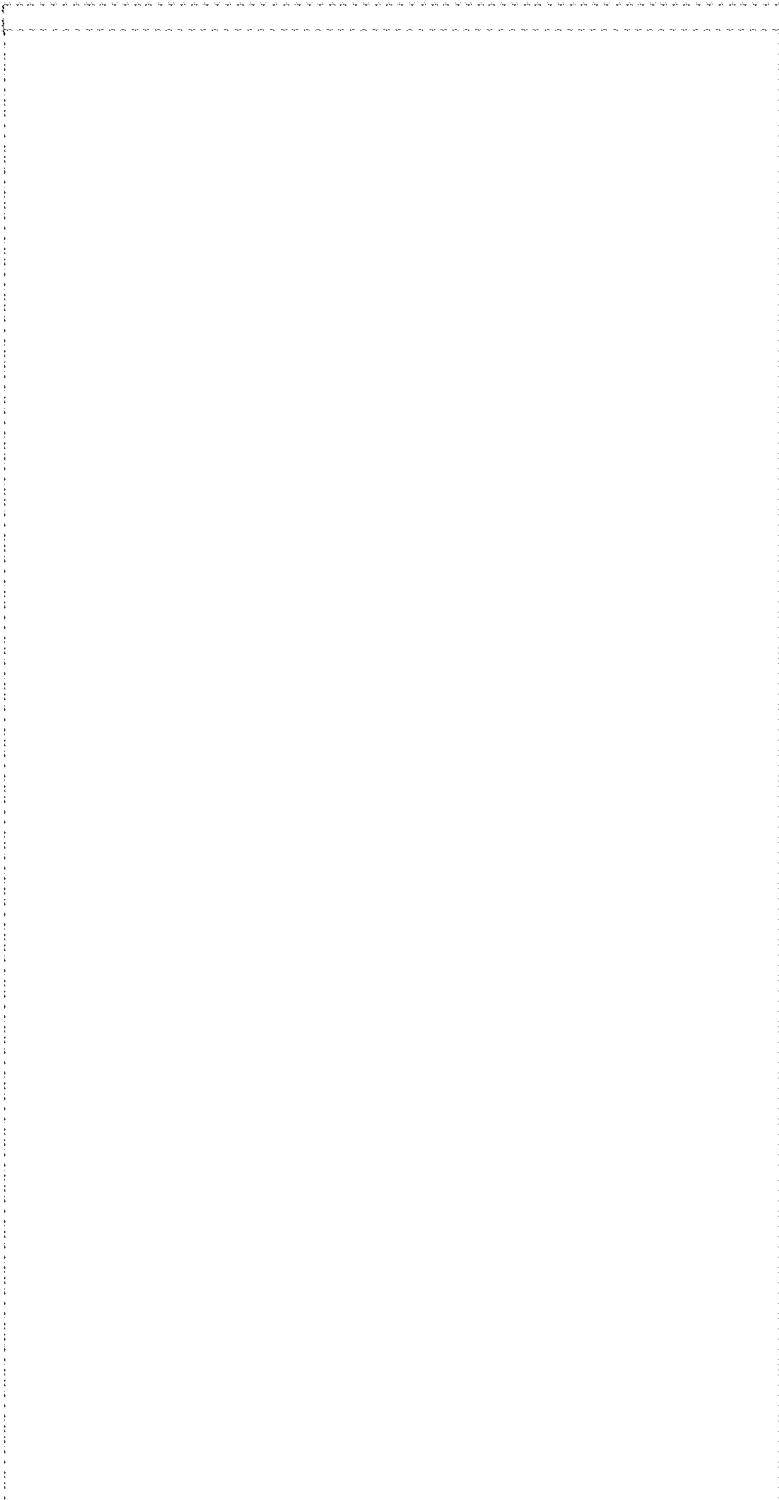


FIG. 4

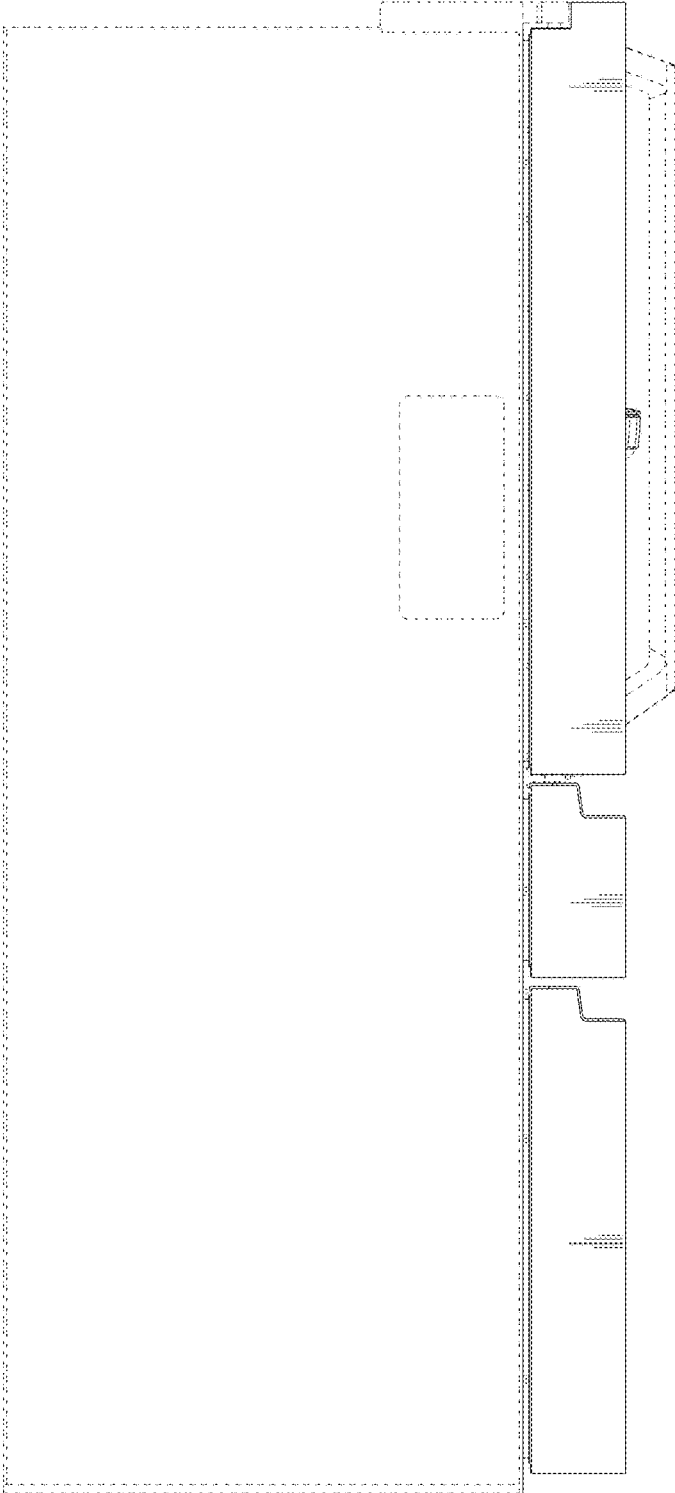


FIG. 5

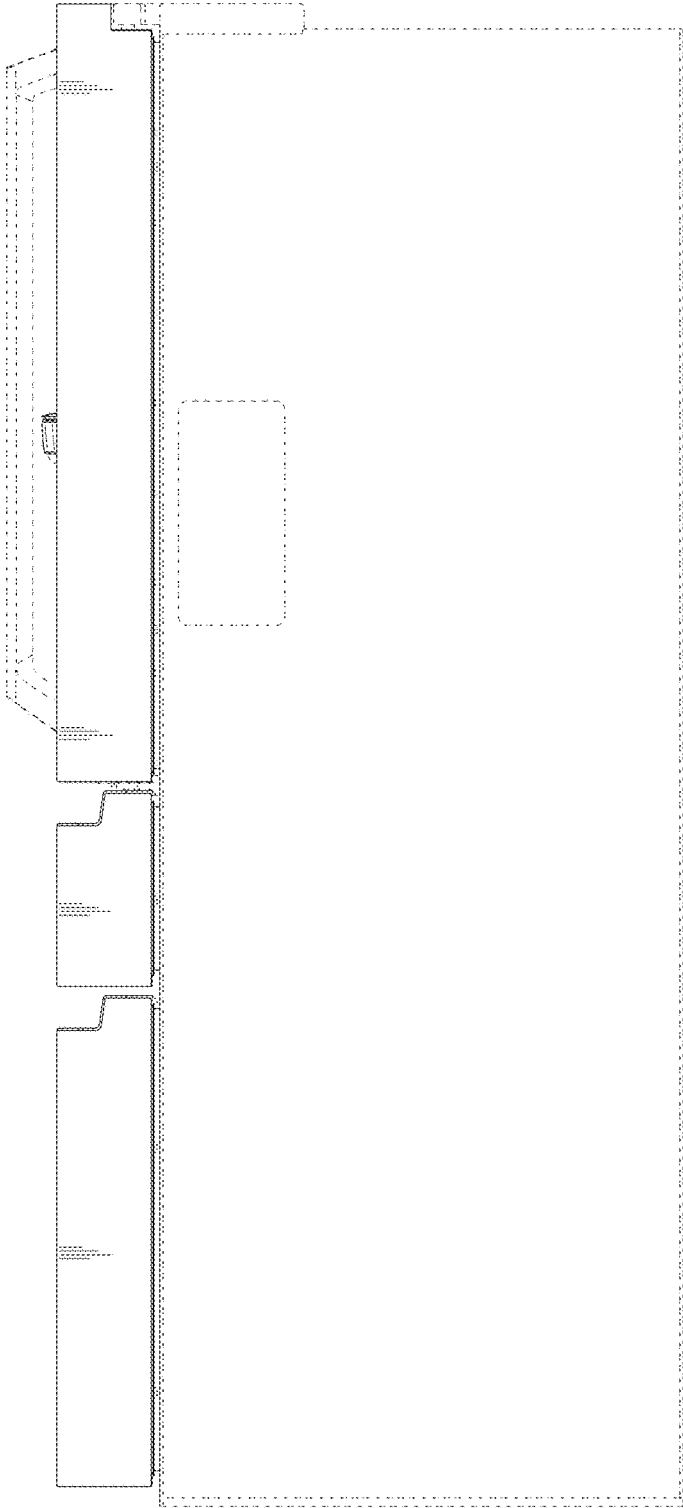


FIG. 6

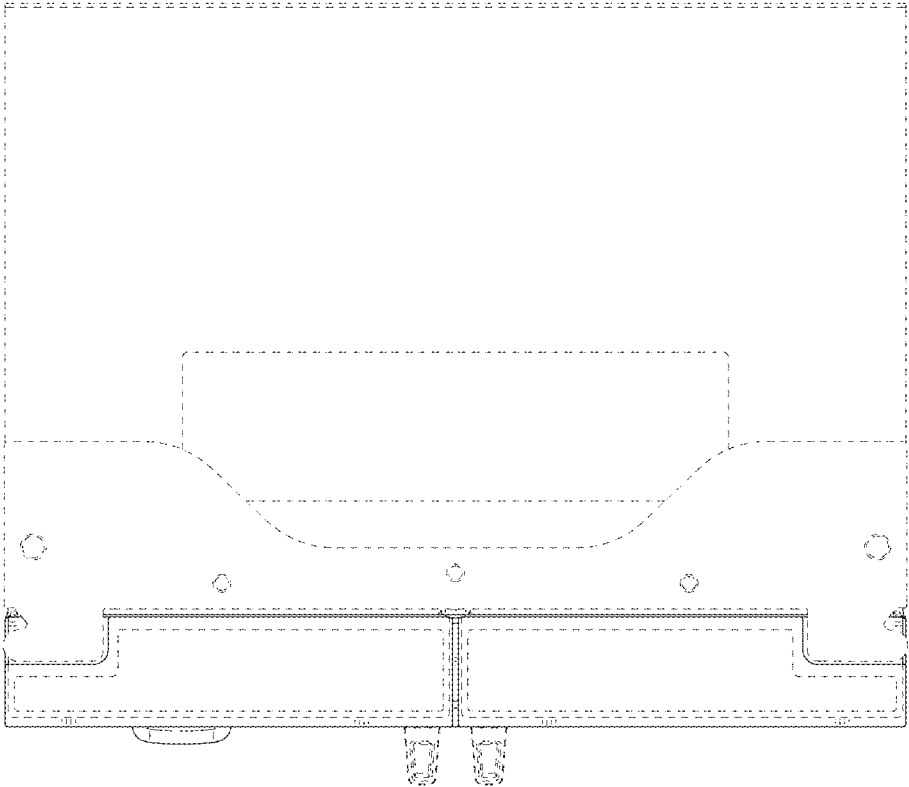


FIG. 7

