



US00D415628S

**United States Patent** [19]  
**Lewis**

[11] **Patent Number: Des. 415,628**  
[45] **Date of Patent: \*\* Oct. 26, 1999**

- [54] **SOFA**
- [76] Inventor: **Sally Sirkin Lewis**, 715 N. Canon Dr., Beverly Hills, Calif. 90210
- [\*\*] Term: **14 Years**
- [21] Appl. No.: **29/083,796**
- [22] Filed: **Feb. 17, 1998**
- [51] **LOC (6) Cl.** ..... **06-01**
- [52] **U.S. Cl.** ..... **D6/381**
- [58] **Field of Search** ..... D6/334, 335, 364, D6/371, 373, 381, 500, 501, 502; 297/232

[56] **References Cited**  
**U.S. PATENT DOCUMENTS**

D. 364,752	12/1995	Hutton	.....	D6/381
D. 368,598	4/1996	Natuzzi et al.	.....	D6/381
D. 381,528	7/1997	Natuzzi et al.	.....	D6/381
D. 382,723	8/1997	Natuzzi et al.	.....	D6/381
D. 384,215	9/1997	Chandler	.....	D6/381
D. 400,024	10/1998	Gera	.....	D6/381

**OTHER PUBLICATIONS**

Chervan Brochure, inside center, sofa at bottom, Jan. 1991.  
*Primary Examiner*—Gary D. Watson  
*Attorney, Agent, or Firm*—Finnegan, Henderson, Farabow, Garrett & Dunner, L.L.P.

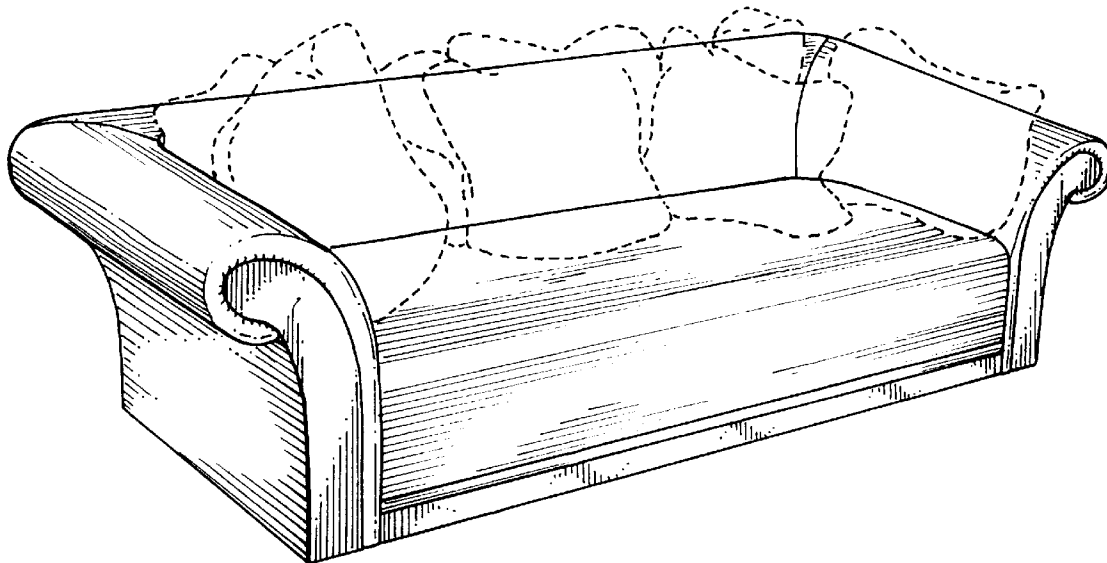
[57] **CLAIM**

The ornamental design for a sofa, as shown and described.

**DESCRIPTION**

FIG. 1 is a top, front and left side perspective view of the sofa;  
FIG. 2 is a top plan view of the sofa;  
FIG. 3 is a front elevational view of the sofa;  
FIG. 4 is a rear elevational view of the sofa;  
FIG. 5 is a left side elevational view of the sofa; and,  
FIG. 6 is a right side elevational view of the sofa.  
The broken lines shown in FIG. 1 are for environmental purposes only and form no part of the claimed design.

**1 Claim, 2 Drawing Sheets**



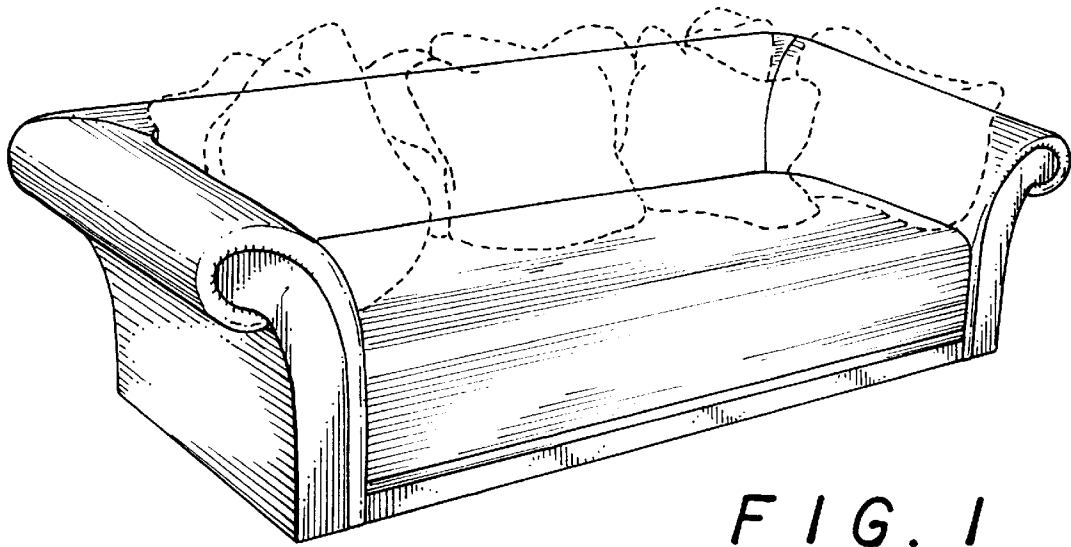


FIG. 1

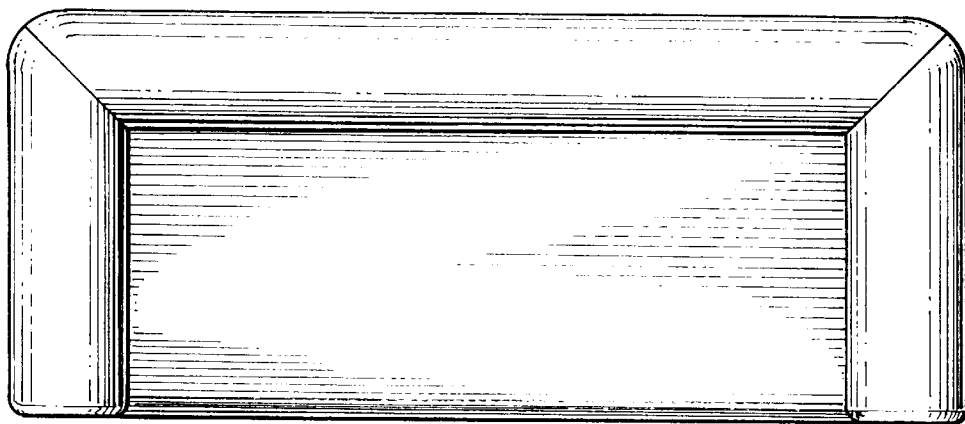


FIG. 2

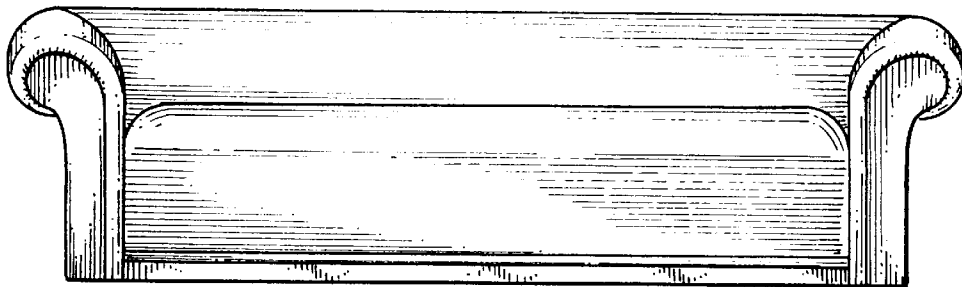
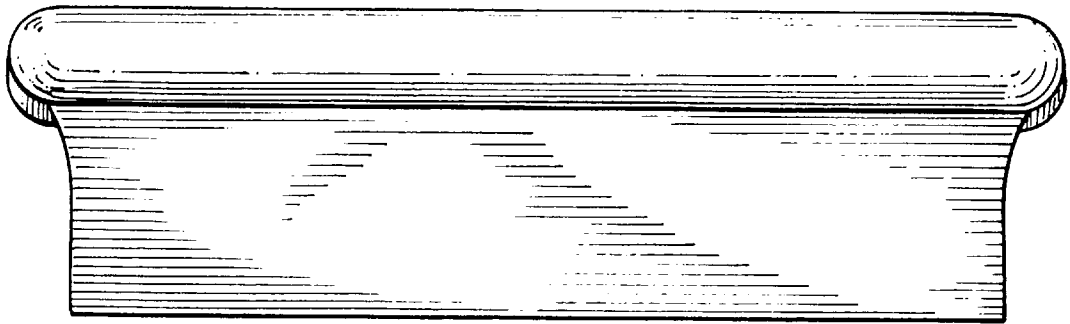
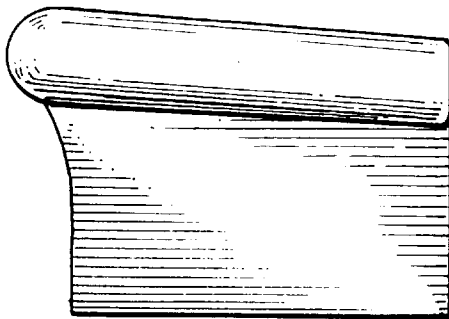


FIG. 3



*FIG. 4*



*FIG. 5*



*FIG. 6*