



US00D802692S

(12) **United States Design Patent** (10) **Patent No.:** **US D802,692 S**
Sargent et al. (45) **Date of Patent:** **** Nov. 14, 2017**

- (54) **GOLF CLUB HEAD**
- (71) Applicant: **Taylor Made Golf Company, Inc.**, Carlsbad, CA (US)
- (72) Inventors: **Nathan T. Sargent**, Oceanside, CA (US); **Joseph Reeve Nielson**, Vista, CA (US); **Christopher John Harbert**, Carlsbad, CA (US); **Todd P. Beach**, Encinitas, CA (US); **Brian Bazzel**, Carlsbad, CA (US); **Mark Vincent Greaney**, Vista, CA (US); **Christian Reber Wester**, San Diego, CA (US); **Craig Richard Slyfield**, San Diego, CA (US)
- (73) Assignee: **Taylor Made Golf Company, Inc.**, Carlsbad, CA (US)
- (**) Term: **15 Years**

- (21) Appl. No.: **29/570,556**
- (22) Filed: **Jul. 8, 2016**

Related U.S. Application Data

- (63) Continuation of application No. 29/543,709, filed on Oct. 27, 2015, now Pat. No. Des. 782,590, which is a continuation of application No. 29/534,382, filed on Jul. 28, 2015, now Pat. No. Des. 770,584.
- (51) **LOC (10) Cl.** **21-02**
- (52) **U.S. Cl.**
USPC **D21/759**
- (58) **Field of Classification Search**
USPC **D21/733, 752, 759**
CPC **A63B 53/00; A63B 53/04; A63B 53/0466; A63B 2053/002; A63B 2053/0445; A63B**
(Continued)

- (56) **References Cited**
U.S. PATENT DOCUMENTS
D557,363 S * 12/2007 Jertson D21/752
D558,287 S * 12/2007 Jertson D21/752
D558,288 S * 12/2007 Jertson D21/752
(Continued)

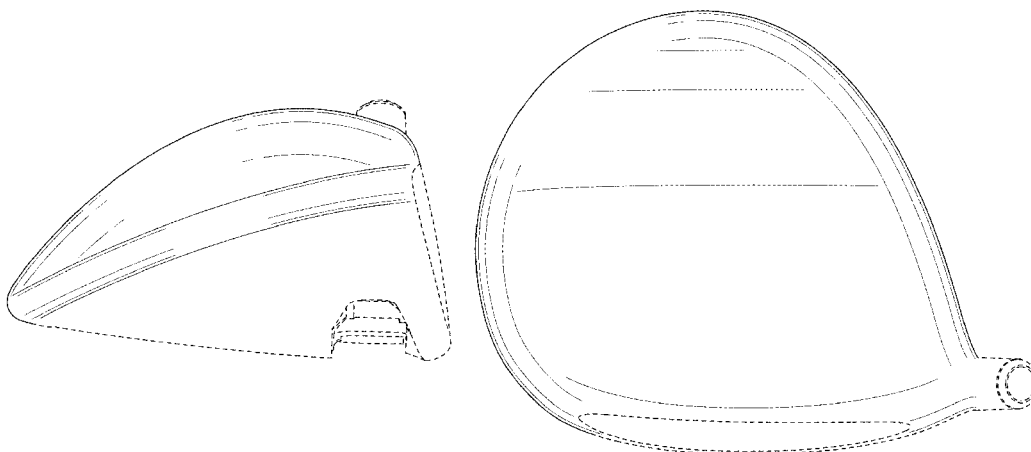
- FOREIGN PATENT DOCUMENTS
JP 3109501 U 3/2005
JP 2006-320493 A 11/2006
Primary Examiner — Mitchell Siegel
(74) *Attorney, Agent, or Firm* — Klarquist Sparkman, LLP

- (57) **CLAIM**
We claim the ornamental design for a golf club head, as shown and described.

DESCRIPTION

FIG. 1 is a perspective view of a golf club head, as viewed from the bottom and one side, according to one embodiment. FIG. 2 is a front elevation view of the golf club head of FIG. 1. FIG. 3 is a rear elevation view of the golf club head of FIG. 1. FIG. 4 is a side elevation view of a toe side of the golf club head of FIG. 1. FIG. 5 is a side elevation view of an opposite heel side of the golf club head of FIG. 1. FIG. 6 is a top plan view of the golf club head of FIG. 1; and, FIG. 7 is a bottom plan view of the golf club head of FIG. 1. The dashed lines in the drawings are for purposes of illustrating environmental structure as well as portions of the design that form no part of the present claimed design. Features shown in dashed lines are recognized to be ornamental design elements that may be claimed individually

(Continued)



and in all combinations and subcombinations with each other and other features disclosed herein in related applications.

1 Claim, 5 Drawing Sheets

(58) **Field of Classification Search**

CPC 2053/0433; A63B 2053/0491; A63B 2053/0437

See application file for complete search history.

(56)

References Cited

U.S. PATENT DOCUMENTS

D579,064	S *	10/2008	Beach	D21/752
D617,403	S *	6/2010	Llewellyn	D21/752
D618,746	S *	6/2010	Jertson	D21/752
D618,747	S *	6/2010	Schweigert	D21/752
D628,257	S	11/2010	Albertsen		
D630,278	S	1/2011	Albertsen		
D630,696	S	1/2011	Albertsen		
D631,119	S	1/2011	Albertsen		
D655,363	S	3/2012	Vrska		
8,235,844	B2	8/2012	Albertsen et al.		
D675,272	S	1/2013	Greensmith et al.		
D686,679	S	7/2013	Greensmith et al.		
D692,077	S	10/2013	Greensmith et al.		

D697,152	S	1/2014	Harbert et al.		
D708,280	S	7/2014	Sargent et al.		
D709,571	S	7/2014	Sargent et al.		
D709,572	S *	7/2014	Sargent	D21/759
8,821,312	B2	9/2014	Burnett et al.		
8,827,831	B2	9/2014	Burnett et al.		
D714,869	S	10/2014	Turner et al.		
D714,891	S *	10/2014	Greensmith	D21/752
D714,892	S	10/2014	Atwell		
8,888,607	B2 *	11/2014	Harbert	A63B 53/04 473/307
D724,165	S	3/2015	Cardani et al.		
8,986,133	B2	3/2015	Bennett et al.		
9,089,747	B2	7/2015	Boyd et al.		
9,089,749	B2	7/2015	Burnett et al.		
9,168,428	B2 *	10/2015	Albertsen	A63B 53/0466
9,220,953	B2 *	12/2015	Beach	A63B 53/04
D770,584	S *	11/2016	Sargent	D21/759
D774,152	S *	12/2016	Beach	D21/752
D782,590	S *	3/2017	Sargent	D21/759
D783,105	S *	4/2017	Oyler	D21/752
2007/0049417	A1	3/2007	Shear		
2014/0080622	A1	3/2014	Sargent et al.		
2014/0080628	A1	3/2014	Sargent et al.		
2014/0080629	A1 *	3/2014	Sargent	A63B 53/0466 473/336
2016/0001146	A1	1/2016	Sargent et al.		
2016/0059093	A1 *	3/2016	Nielson	A63B 53/02 473/338

* cited by examiner

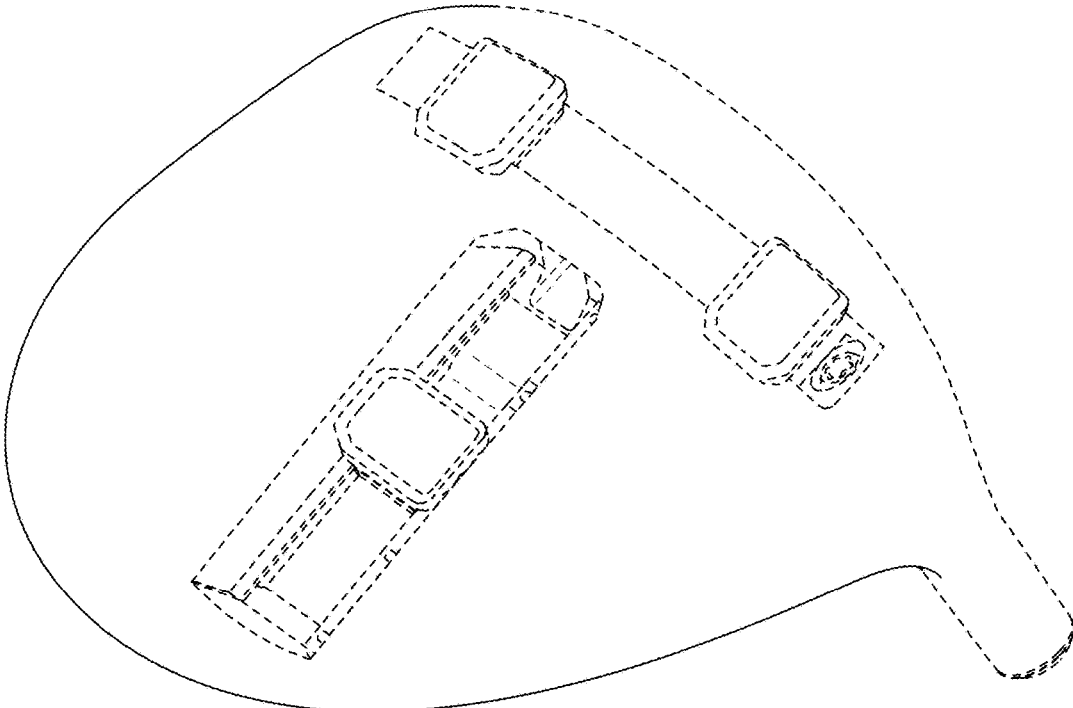


FIG. 1

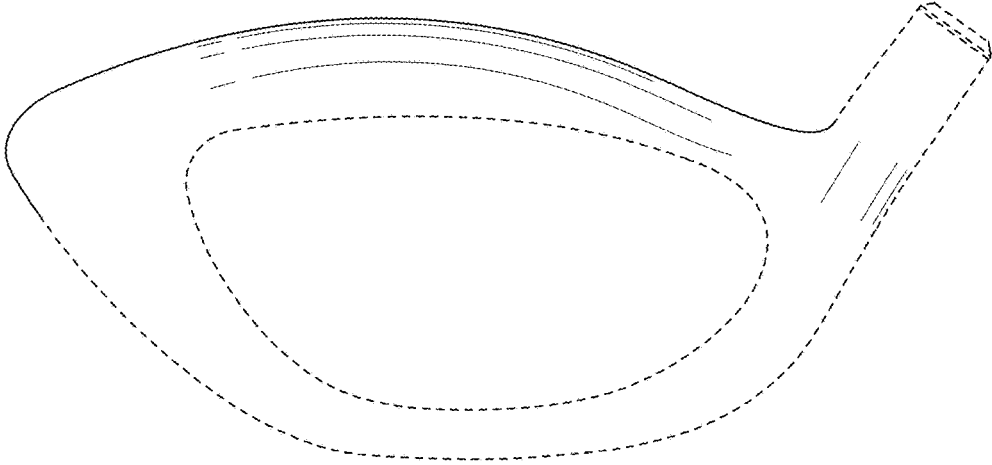


FIG. 2

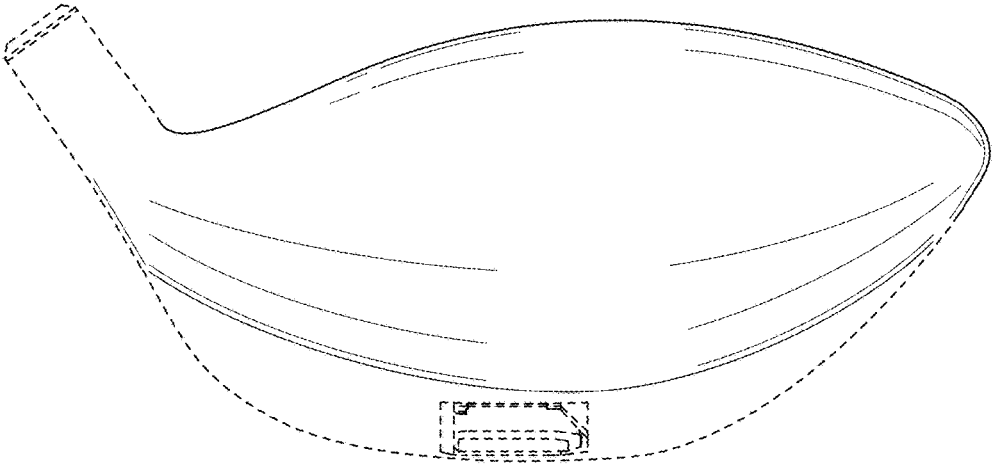


FIG. 3

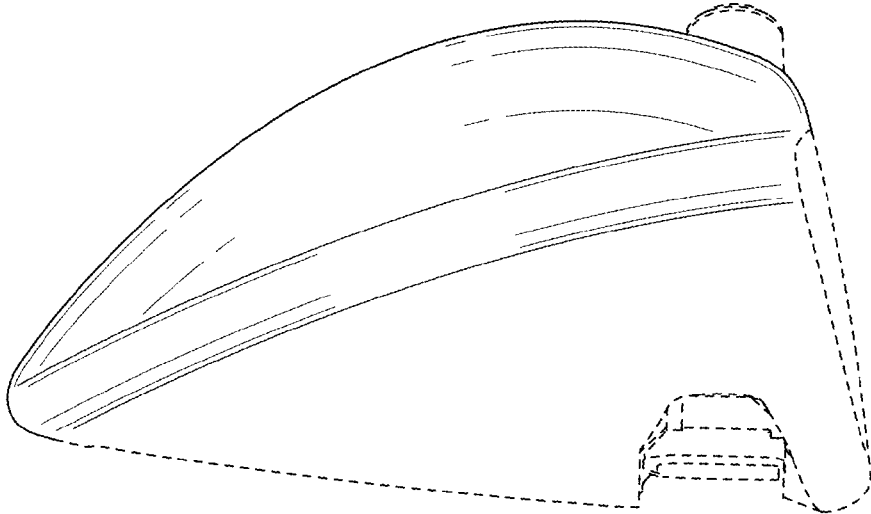


FIG. 4

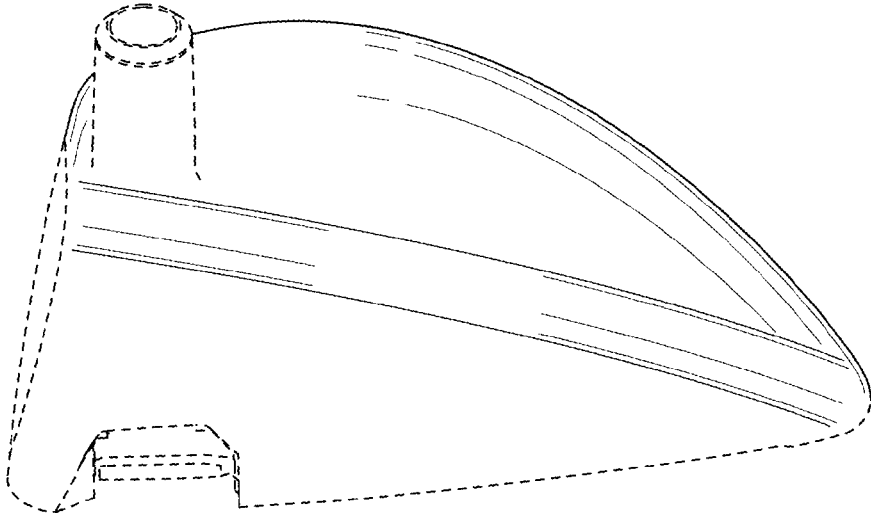


FIG. 5

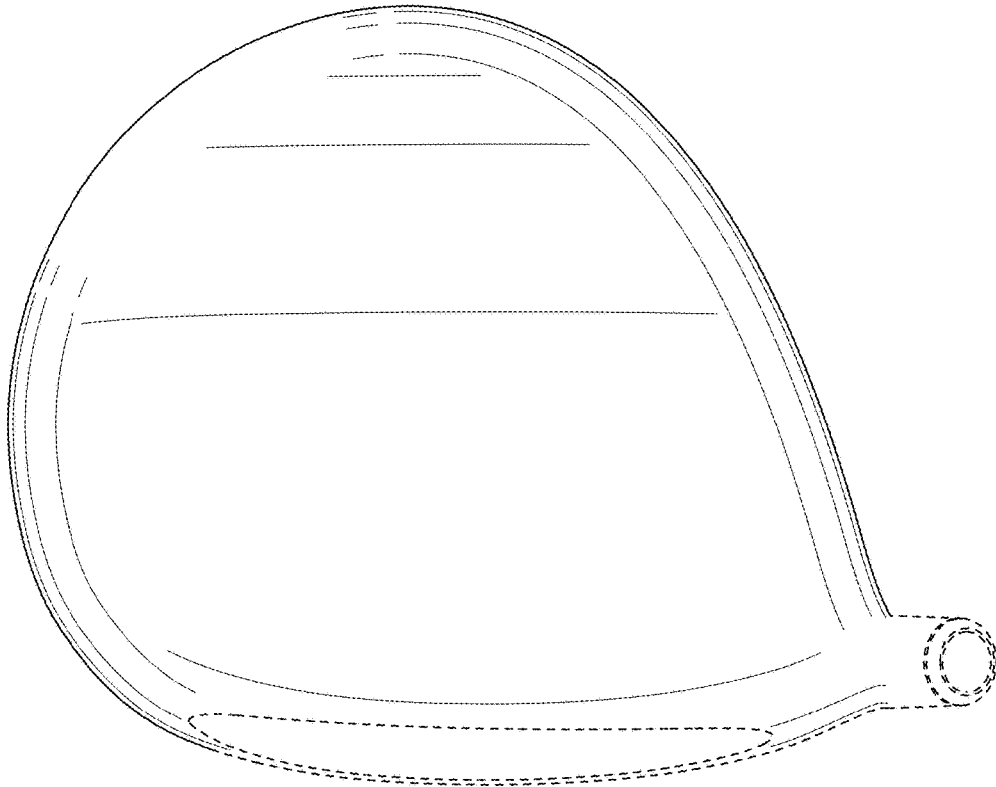


FIG. 6

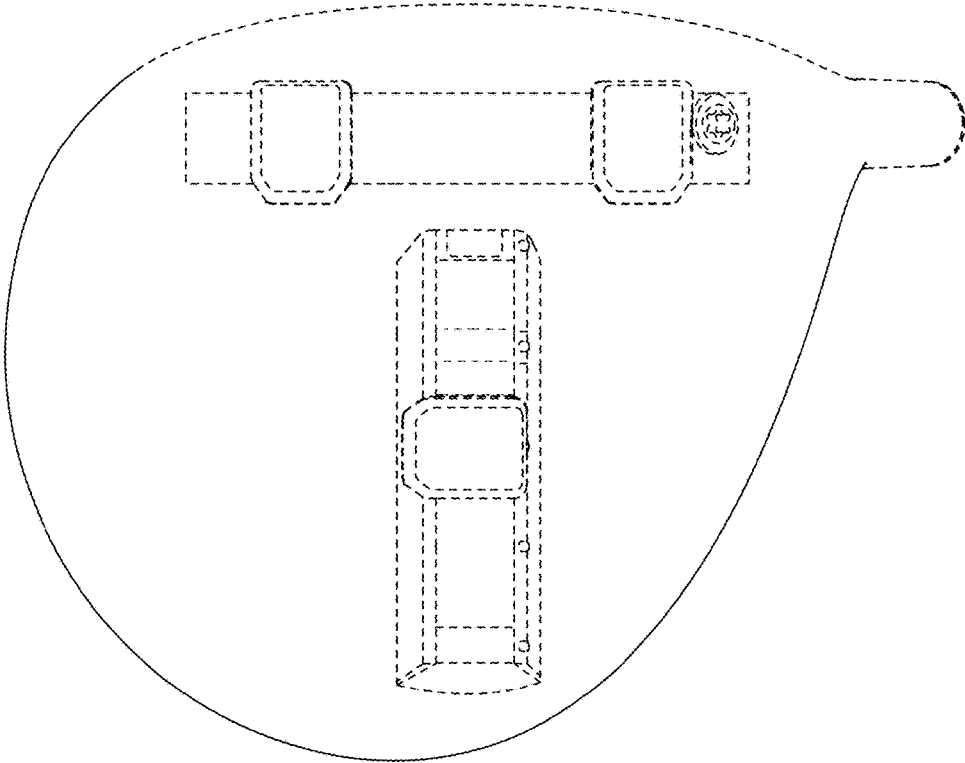


FIG. 7