



US00D734229S

(12) **United States Design Patent**
Derks et al.

(10) **Patent No.:** **US D734,229 S**

(45) **Date of Patent:** **** Jul. 14, 2015**

- (54) **GASEOUS DILUTER**
- (71) Applicants: **Nathaniel J. Derks**, Madison, WI (US);
Shane P. O'Rourke, Oregon, WI (US);
Robert J. Schellin, Stoughton, WI (US)
- (72) Inventors: **Nathaniel J. Derks**, Madison, WI (US);
Shane P. O'Rourke, Oregon, WI (US);
Robert J. Schellin, Stoughton, WI (US)
- (73) Assignee: **Nelson Global Products, Inc.**,
Stoughton, WI (US)
- (**) Term: **14 Years**
- (21) Appl. No.: **29/479,875**
- (22) Filed: **Jan. 21, 2014**
- (51) **LOC (10) Cl.** **12-16**
- (52) **U.S. Cl.**
USPC **D12/194**
- (58) **Field of Classification Search**
USPC D12/194; 293/113; 29/890.08;
180/89.2, 296, 309; 181/247-249, 264,
181/282, 239-241, 227, 228; 60/303, 313,
60/323; 138/37-39, 44, 103, 109
CPC F01N 13/082; F01N 13/085; F01N 13/087
See application file for complete search history.

D162,112 S	2/1951	Baker	
2,586,788 A	2/1952	Cushman	
4,198,817 A	4/1980	Fujita et al.	
D254,904 S *	5/1980	Swearingen	D12/345
4,227,651 A	10/1980	Abe	
D451,925 S *	12/2001	Williams	D14/439
D539,893 S *	4/2007	Badick	D23/371
D558,111 S *	12/2007	Banks, III	D12/194
7,637,099 B2	12/2009	Ranganathan et al.	
7,762,064 B2	7/2010	Tennison	
7,779,961 B2 *	8/2010	Matte	181/227
7,913,489 B2	3/2011	Angoshtari et al.	
8,001,775 B2	8/2011	Krajewski	
8,042,329 B2	10/2011	Saunders et al.	
8,056,327 B2	11/2011	Brown et al.	
8,272,210 B2	9/2012	Keller	
D669,012 S *	10/2012	Spanos et al.	D12/326
8,341,948 B2	1/2013	Freese, V	
8,468,811 B2	6/2013	Smith	
8,534,056 B2	9/2013	Batdorff	
2011/0239637 A1	10/2011	Ochsner et al.	
2012/0017566 A1	1/2012	Krajewski et al.	
2014/0182718 A1 *	7/2014	Wolfcarius et al.	137/561 A

* cited by examiner

Primary Examiner — Michael A Pratt
(74) *Attorney, Agent, or Firm* — Smith Law Office

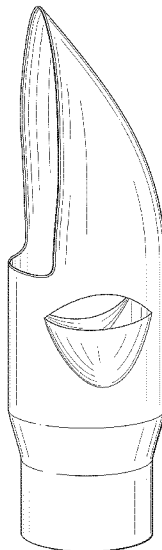
(57) **CLAIM**
The ornamental design for a gaseous diluter, as shown and described.

DESCRIPTION

FIG. 1 is a perspective view of an embodiment of a gaseous diluter in accordance with our new design.
FIG. 2 is a front view of the gaseous diluter of FIG. 1.
FIG. 3 is a right side view of the gaseous diluter of FIG. 1.
FIG. 4 is a back view of the gaseous diluter of FIG. 1.
FIG. 5 is a left side view of the gaseous diluter of FIG. 1.
FIG. 6 is a top view of the gaseous diluter of FIG. 1; and,
FIG. 7 is a bottom view of the gaseous diluter of FIG. 1.

1 Claim, 6 Drawing Sheets

- (56) **References Cited**
U.S. PATENT DOCUMENTS
- 1,813,189 A 7/1931 Moore
- D111,977 S 11/1938 Koch
- D112,482 S 12/1938 Koch
- 2,161,895 A 6/1939 Brenner
- 2,192,922 A 3/1940 Lyon
- D124,393 S * 12/1940 Russell D12/194
- D125,644 S * 3/1941 Russell D12/194
- 2,252,228 A 8/1941 Koch, Jr.
- D159,864 S 8/1950 Russell



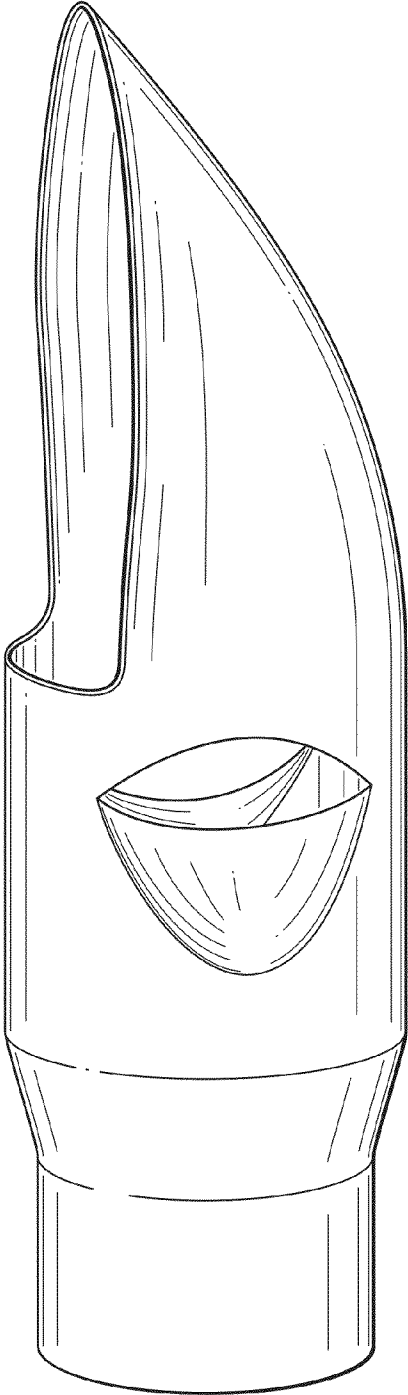


FIG. 1

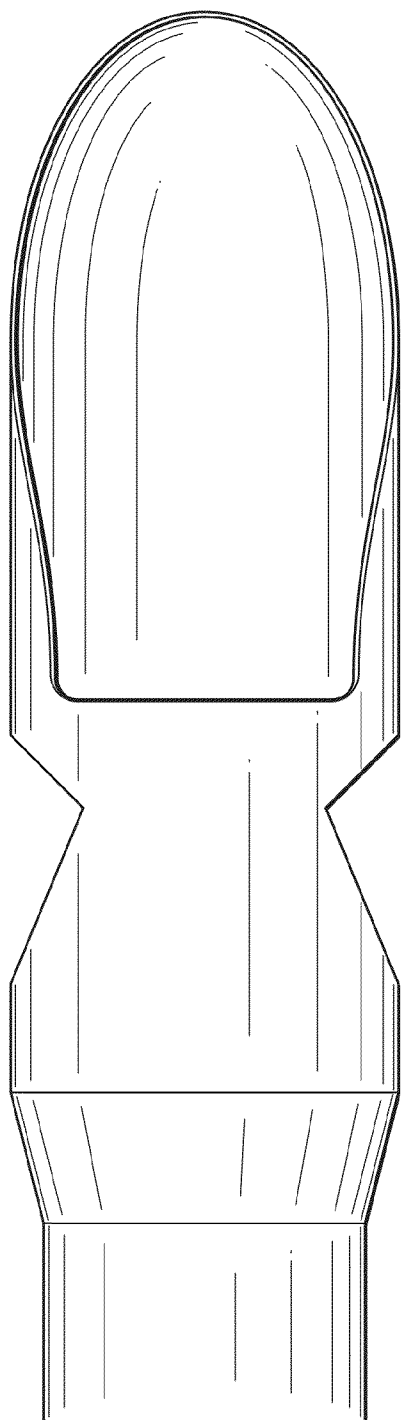


FIG. 2

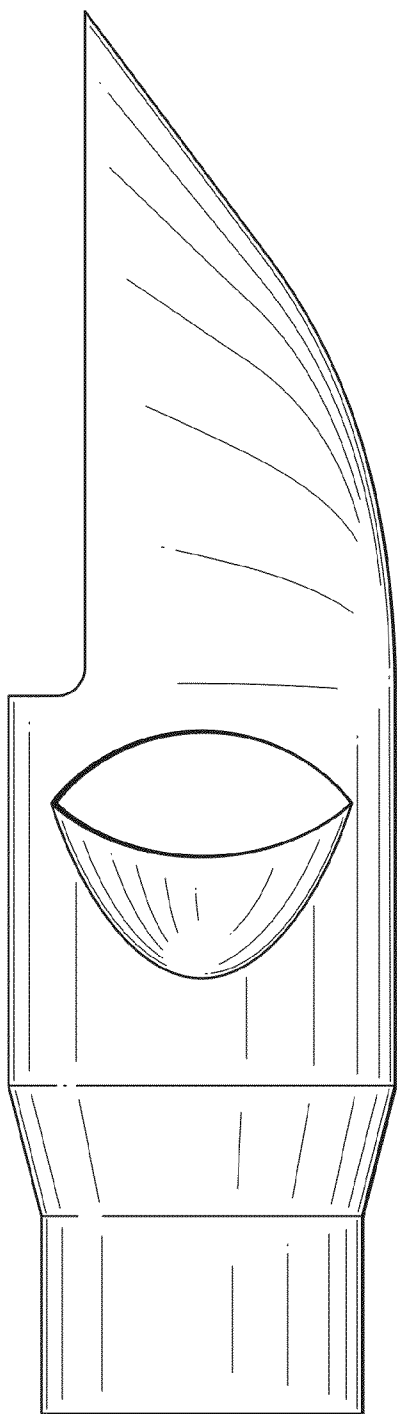


FIG. 3

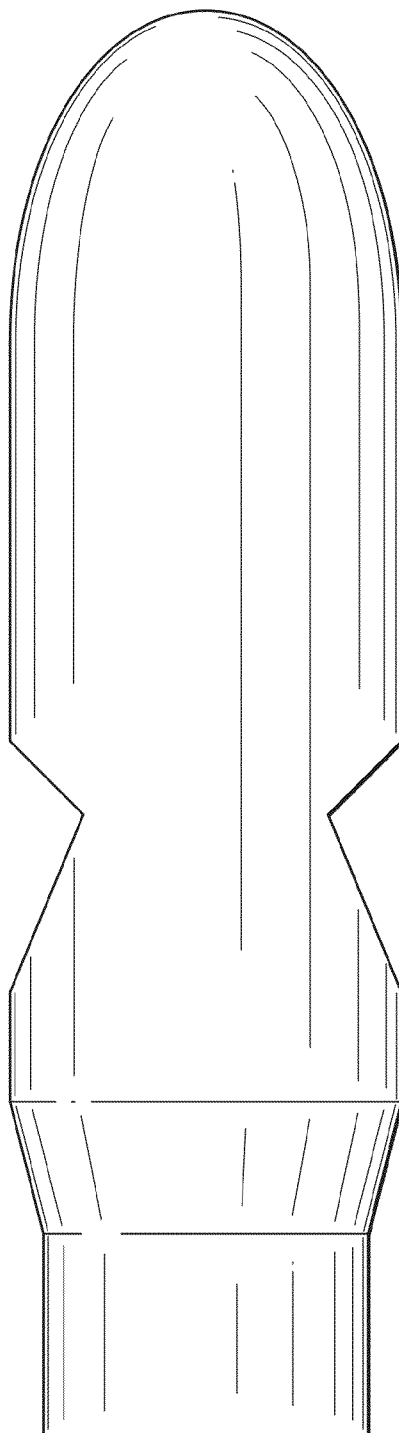


FIG. 4

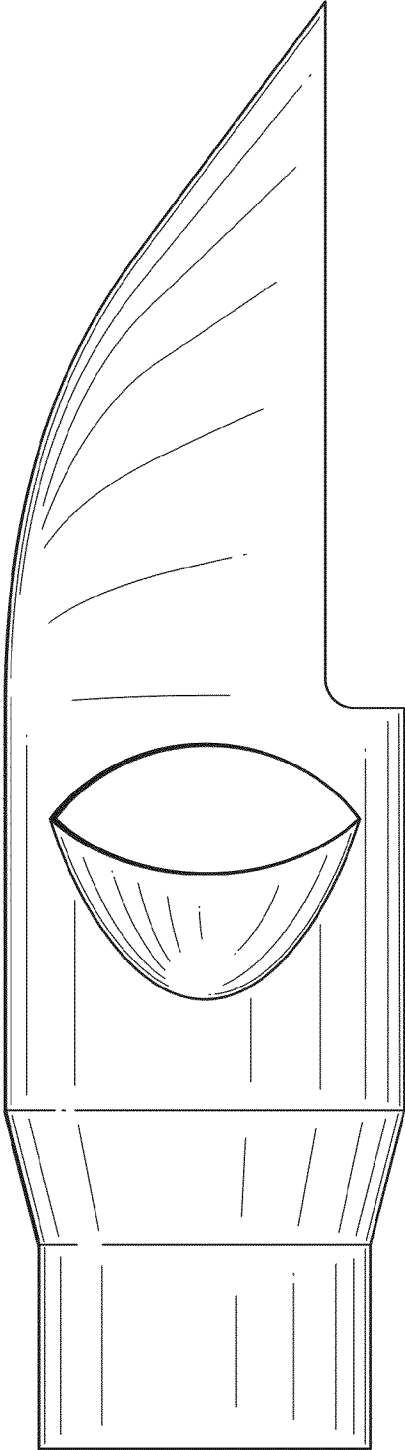


FIG. 5

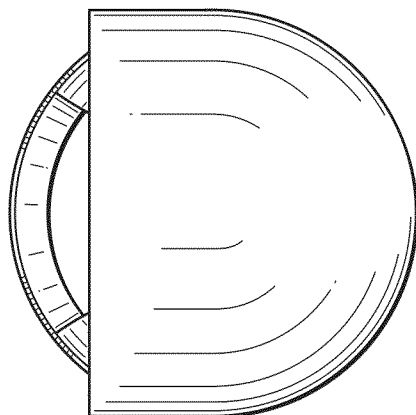


FIG. 6

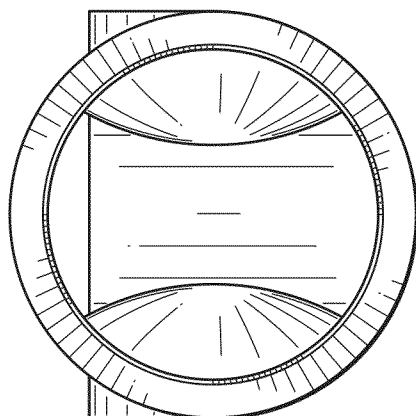


FIG. 7