



US00D769719S

(12) **United States Design Patent**  
**Lebon**

(10) **Patent No.:** **US D769,719 S**

(45) **Date of Patent:** **\*\* Oct. 25, 2016**

(54) **CONTAINER**

(71) Applicant: **Clariant Productions (France) SAS,**  
Trosly Breuil (FR)

(72) Inventor: **Jacquy Lebon,** Challands (FR)

(73) Assignee: **Clariant Production (France) SAS,**  
Trosly Breuil (FR)

(\*\*) Term: **14 Years**

(21) Appl. No.: **29/490,104**

(22) Filed: **May 6, 2014**

(51) **LOC (10) CI.** ..... **09-03**

(52) **U.S. CI.**

USPC ..... **D9/500; D9/520**

(58) **Field of Classification Search**

USPC ..... D9/414, 417, 500, 503-504, 516, 520,  
D9/549, 558, 575, 715, 719, 730, 733,  
D9/904-905; D7/590-591, 596-597,  
D7/601-602, 629-630; D28/4, 8, 91;  
D32/35, 75

CPC ..... B65D 1/00; B65D 1/02; B65D 1/0223;  
B65D 1/0261; B65D 1/10; B65D 23/00;  
B65D 81/00; B65D 81/266; B65D 81/268;  
B65D 2501/00; B65D 2501/0009

See application file for complete search history.

4,898,298 A \* 2/1990 Norris ..... B65D 47/06  
215/387

D309,364 S \* 7/1990 Shaw ..... D34/39

4,981,230 A 1/1991 Marshall et al.

5,071,663 A \* 12/1991 Dugan ..... A47J 43/255  
241/168

D331,639 S \* 12/1992 Thompson ..... D28/7

D346,958 S \* 5/1994 Olson ..... D32/35

D367,423 S \* 2/1996 Stanley ..... D9/504

D373,291 S \* 9/1996 Auker ..... D7/667

D382,175 S \* 8/1997 Green ..... D28/82

5,730,785 A \* 3/1998 Idol ..... B65D 11/26  
206/204

5,759,241 A \* 6/1998 Klett ..... B01D 53/261  
215/228

D401,115 S 11/1998 Huang

D410,073 S \* 5/1999 Barnett ..... D23/261

6,056,136 A 5/2000 Taber et al.

D427,069 S 6/2000 Carter

D466,814 S \* 12/2002 Hurlburt ..... D9/504

(Continued)

**FOREIGN PATENT DOCUMENTS**

WO D067982-001 4/2006

WO D069747-001 2/2008

WO D070355-002 7/2008

*Primary Examiner* — Dana L Meyrow

(74) *Attorney, Agent, or Firm* — Knobbe, Martens, Olson & Bear LLP

(57) **CLAIM**

The ornamental design for a container, as shown and described.

**DESCRIPTION**

FIG. 1 is a side elevation view of a container showing our new design;

FIG. 2 is a bottom view thereof;

FIG. 3 is a top view thereof;

FIG. 4 is a cross-section view thereof taken along the line 4-4 in FIG. 2;

FIG. 5 is a cross-section view thereof taken along the line 5-5 in FIG. 3;

FIG. 6 is a bottom perspective view thereof; and,

FIG. 7 is a top perspective view thereof.

**1 Claim, 7 Drawing Sheets**

(56) **References Cited**

**U.S. PATENT DOCUMENTS**

1,841,691 A 1/1932 Wilson

D185,399 S \* 6/1959 Tupper ..... D7/667

3,017,049 A \* 1/1962 Powell ..... B65D 50/061  
215/206

3,276,626 A \* 10/1966 Stevens ..... B65D 83/0409  
221/257

D248,204 S \* 6/1978 Daenen ..... D7/591

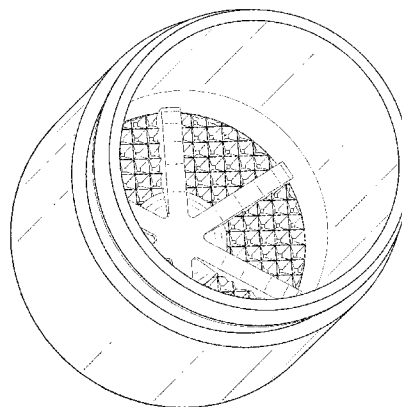
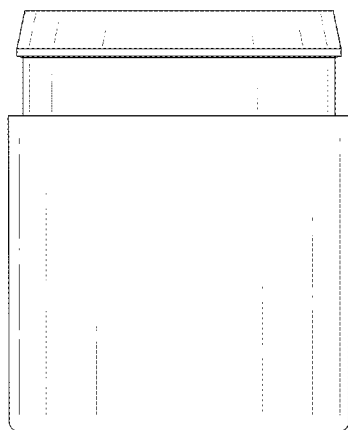
D263,269 S \* 3/1982 Strathman ..... D27/194

D278,600 S \* 4/1985 Fortuna ..... D9/556

D279,651 S 7/1985 Freeman

4,550,844 A 11/1985 Lininger

D291,971 S 9/1987 Smith



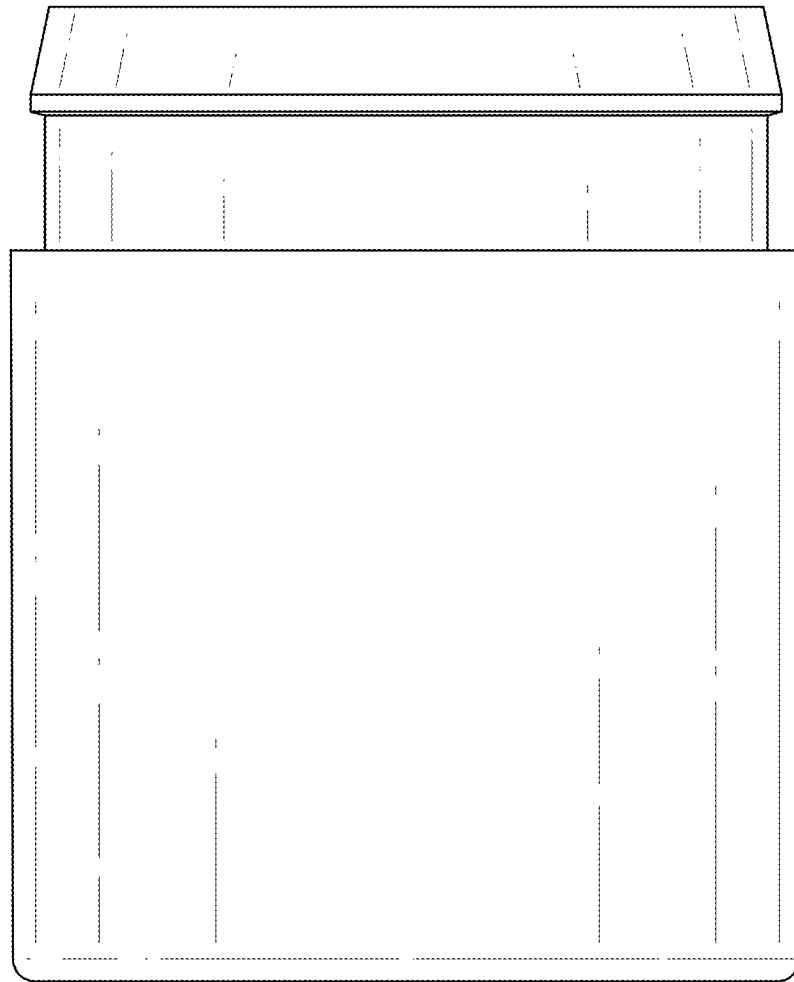
(56)

**References Cited**

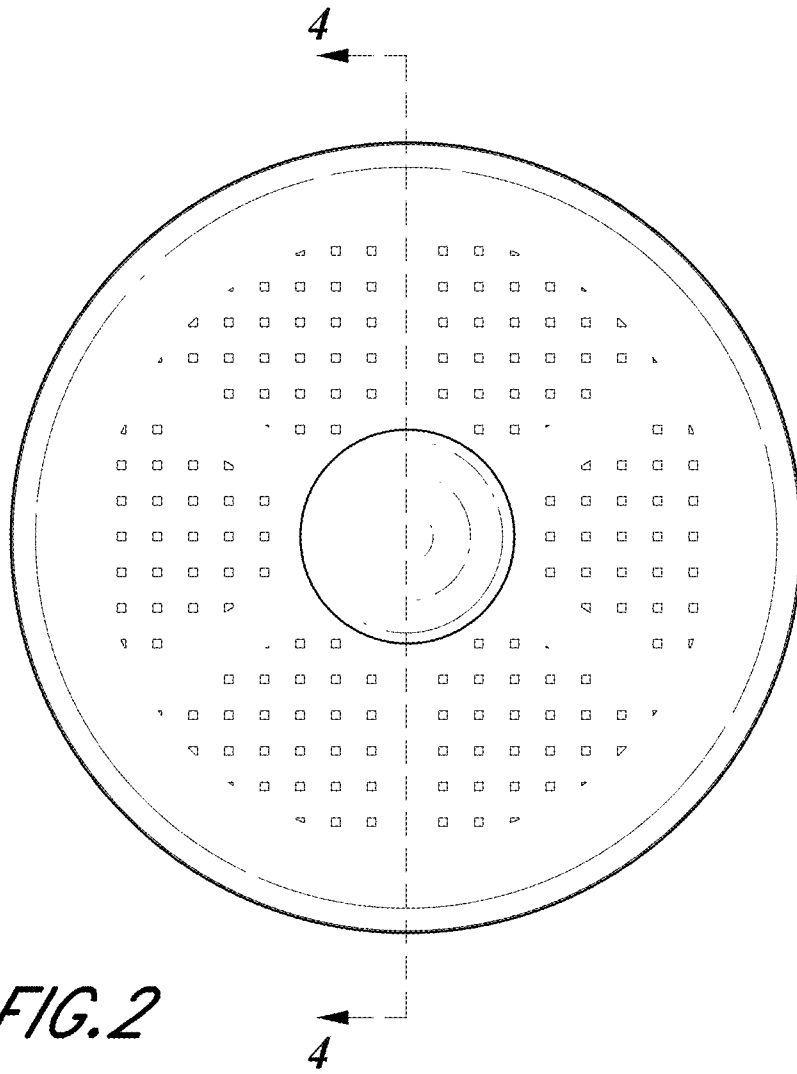
U.S. PATENT DOCUMENTS

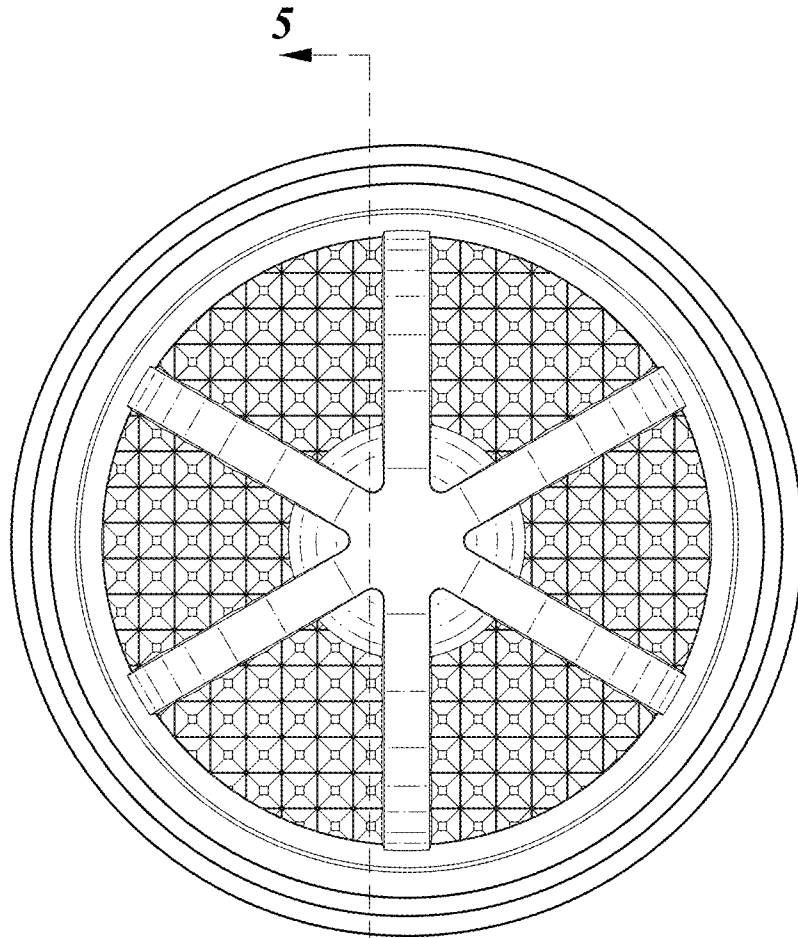
D473,791 S	4/2003	Loris		8,025,067 B2 *	9/2011	Thorpe .....	A45D 33/003 132/307
D479,801 S *	9/2003	Carmichael .....	D7/401.1	D653,734 S	2/2012	Sisk	
D527,812 S	9/2006	Brown		D654,366 S	2/2012	Presche et al.	
D530,205 S	10/2006	Lohrman		D666,086 S *	8/2012	Mundhra .....	D7/667
D547,602 S	7/2007	Yamasaki		D673,246 S	12/2012	Lee	
D553,981 S	10/2007	Harre		D677,567 S *	3/2013	Groves .....	D9/444
D561,582 S	2/2008	Nottingham		D682,625 S *	5/2013	Lane .....	D7/629
D576,257 S	9/2008	Rattenbury		D684,812 S *	6/2013	Johnson .....	D7/392
D599,655 S	9/2009	Friebe et al.		D694,100 S	11/2013	Schneider et al.	
D604,608 S	11/2009	Lourenco		8,800,809 B2 *	8/2014	Portier .....	B65D 43/0212 206/204
D610,008 S	2/2010	Baughmann		D729,010 S	5/2015	Logel et al.	
D637,903 S	5/2011	Ghiotti		D744,335 S *	12/2015	Rigollet .....	D9/436
D641,628 S	7/2011	Baughmann		2005/0198993 A1 *	9/2005	Corrigan .....	B01D 53/0415 62/474
D644,337 S	8/2011	Belfance et al.		2005/0252878 A1	11/2005	Babcock	
D644,739 S	9/2011	Belfance et al.		2007/0186779 A1	8/2007	Fung	
D644,740 S	9/2011	John et al.		2010/0224646 A1	9/2010	Incorvia et al.	
				2010/0282783 A1	11/2010	Baughmann et al.	

\* cited by examiner



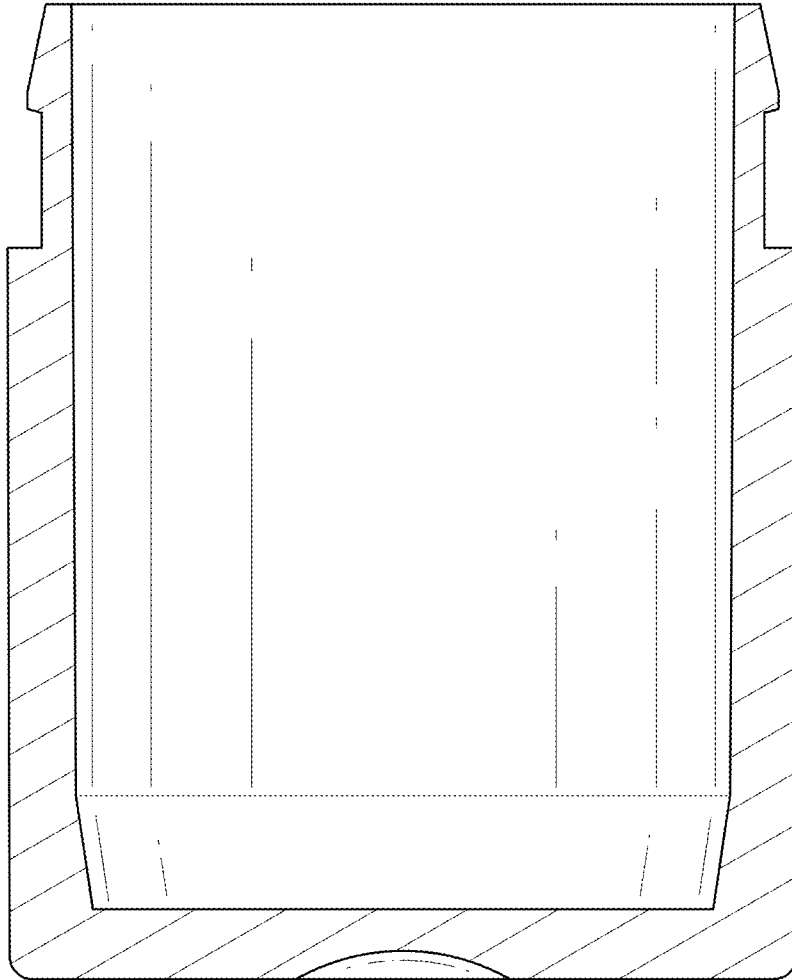
*FIG. 1*



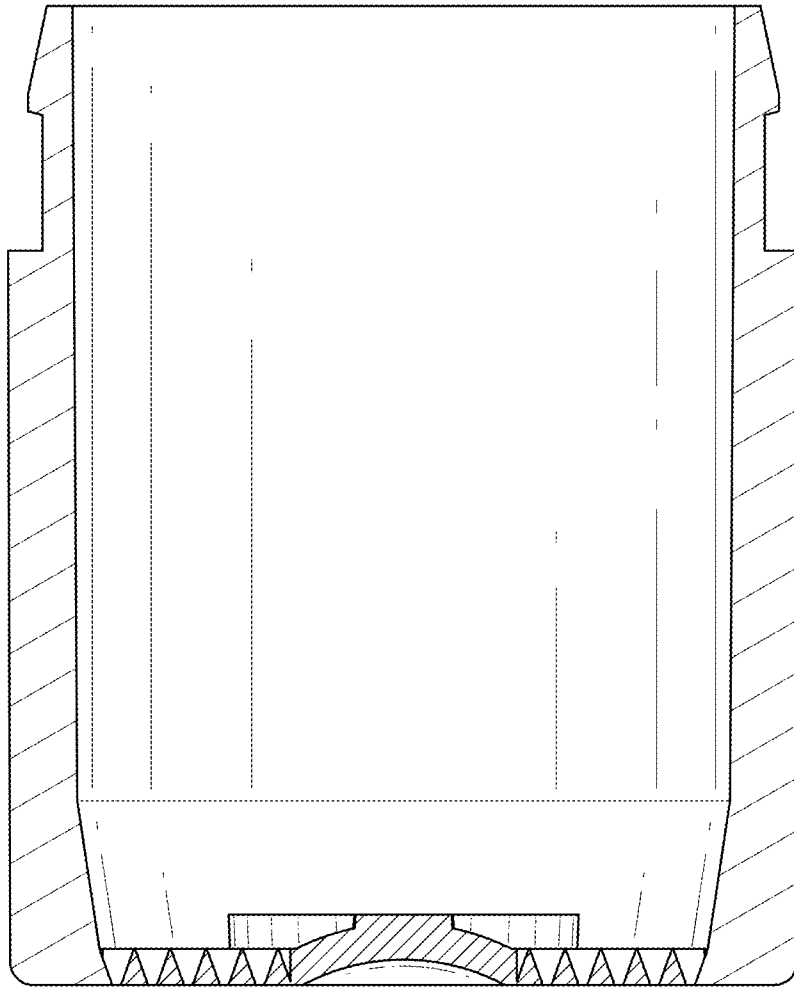


*FIG. 3*

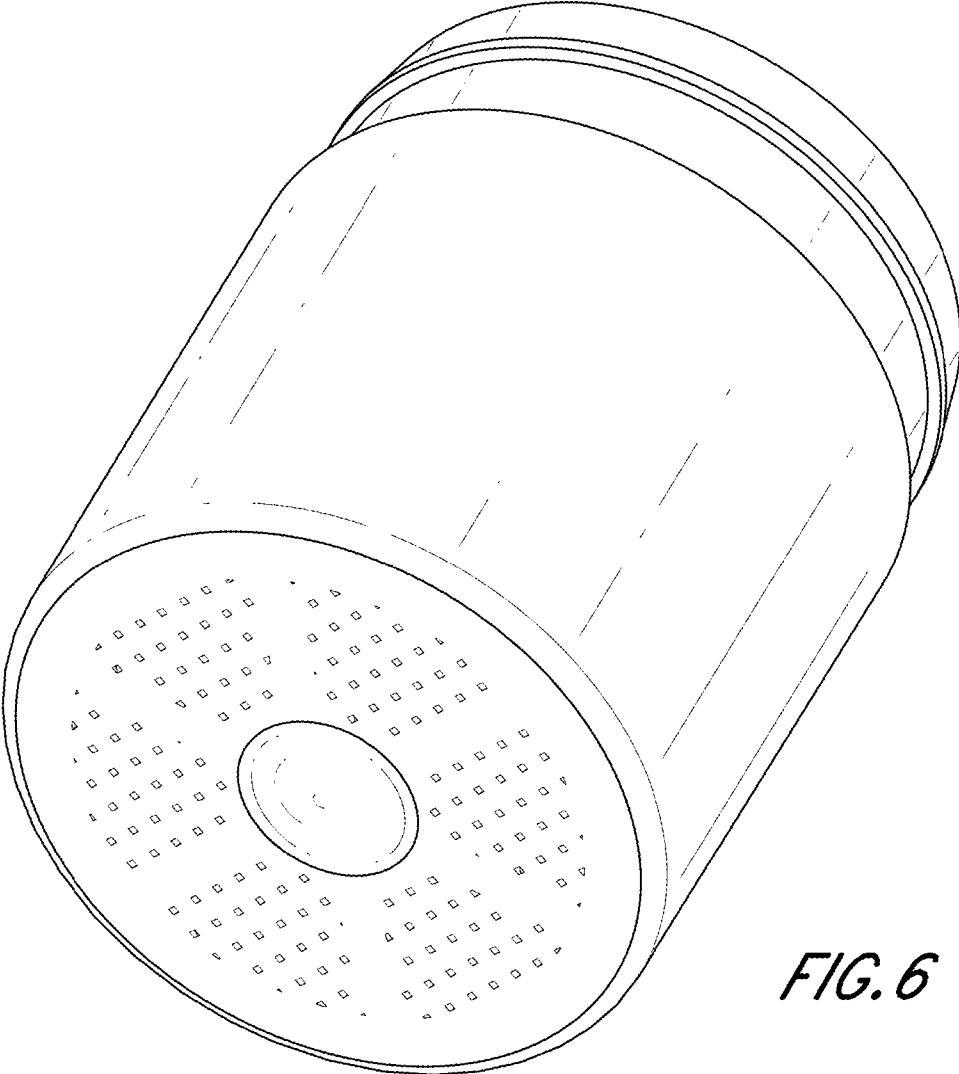
5



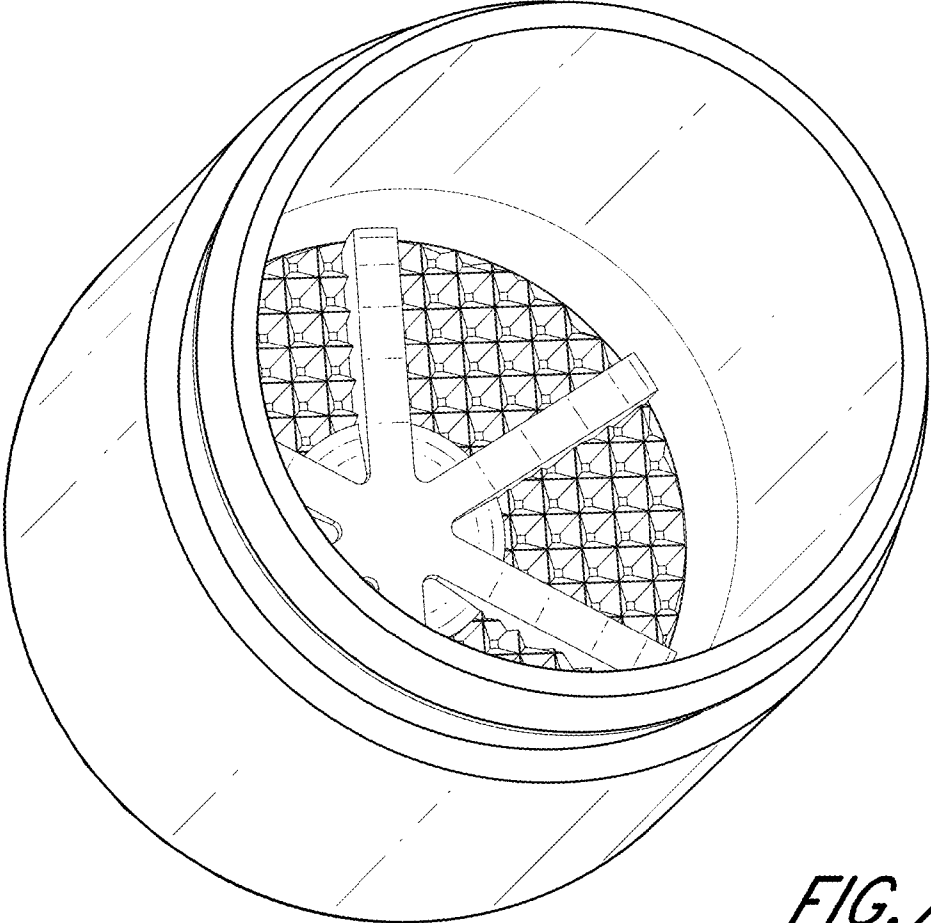
*FIG. 4*



*FIG. 5*



*FIG. 6*



*FIG. 7*