



(12) **United States Design Patent**  
**Abreu**

(10) **Patent No.:** **US D784,354 S**  
(45) **Date of Patent:** **\*\* Apr. 18, 2017**

- (54) **CRADLE FOR HOLDING AN ELECTRONIC DEVICE**
- (71) Applicant: **GEELUX HOLDINGS, LTD.**, Tortola (VG)
- (72) Inventor: **Marcio Marc Abreu**, Bridgeport, CT (US)
- (73) Assignee: **GEELUX HOLDINGS, LTD.**, Tortola (VG)
- (\*\*) Term: **15 Years**

D748,099	S	*	1/2016	Heid	.....	D14/447
D755,797	S	*	5/2016	Liu	.....	D14/452
D769,861	S	*	10/2016	Sun	.....	D14/253
2003/0040683	A1		2/2003	Rule et al.		
2003/0219470	A1		11/2003	Zhang et al.		
2007/0051766	A1*		3/2007	Spencer	.....	A45C 11/00 224/607
2011/0077527	A1		3/2011	Yang et al.		

- (21) Appl. No.: **29/551,978**
- (22) Filed: **Jan. 19, 2016**
- (51) **LOC (10) Cl.** ..... **08-07**
- (52) **U.S. Cl.**  
USPC ..... **D14/447**
- (58) **Field of Classification Search**  
USPC ..... D14/447, 432, 434, 439, 440, 451, 452,  
D14/457, 239; D8/363, 373, 380;  
D6/406.3, 406.4, 406.5, 406.6; D12/415  
CPC ..... A47B 21/04; A47B 2097/006; A47B  
2097/005; A47B 2023/049; A45C  
2011/002; A45C 2011/003; F16M  
2200/00; F16M 13/00  
See application file for complete search history.

OTHER PUBLICATIONS  
Notification of Transmittal of the International Search Report and the Written Opinion of the International Searching Authority; PCT/US2016/014346 issued on May 17, 2016.

\* cited by examiner  
*Primary Examiner* — Angela J Lee  
(74) *Attorney, Agent, or Firm* — Studebaker & Brackett PC

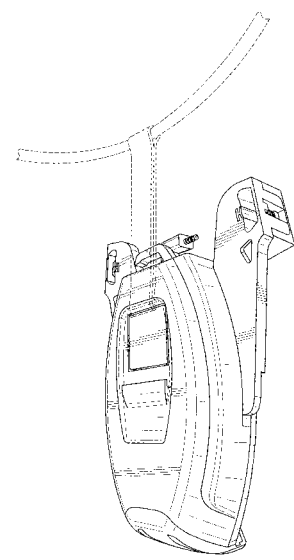
(57) **CLAIM**  
The ornamental design for a cradle for holding an electronic device, as shown and described.

**DESCRIPTION**  
FIG. 1 is a rear perspective view showing my new design for a cradle for holding an electronic device, the suspension of the cradle by a magnet connected to a lanyard is shown in dotted lines for illustrative purposes only, forming no part of the claimed design,  
FIG. 2 is a rear view, the portion shown in dotted lines is for illustrative purposes only, forming no part of the claimed design,  
FIG. 3 is a front view thereof,  
FIG. 4 is a top view thereof,  
FIG. 5 is a bottom view thereof,  
FIG. 6 is a right side view thereof; and,  
FIG. 7 is a left side view thereof.

(56) **References Cited**  
U.S. PATENT DOCUMENTS

D323,435	S	*	1/1992	Palacios	.....	D2/861
D685,380	S	*	7/2013	Richter	.....	D14/253
D688,670	S	*	8/2013	Huang	.....	D14/447
D694,219	S	*	11/2013	Parraga Gimeno	.....	D14/217
D696,671	S	*	12/2013	Carnevali	.....	D14/253
D697,515	S	*	1/2014	Adelman	.....	D14/447
D697,920	S	*	1/2014	Fujioka	.....	D14/447
D711,889	S	*	8/2014	Ritchey	.....	D14/447
D722,603	S	*	2/2015	Lay	.....	D14/447

**1 Claim, 5 Drawing Sheets**



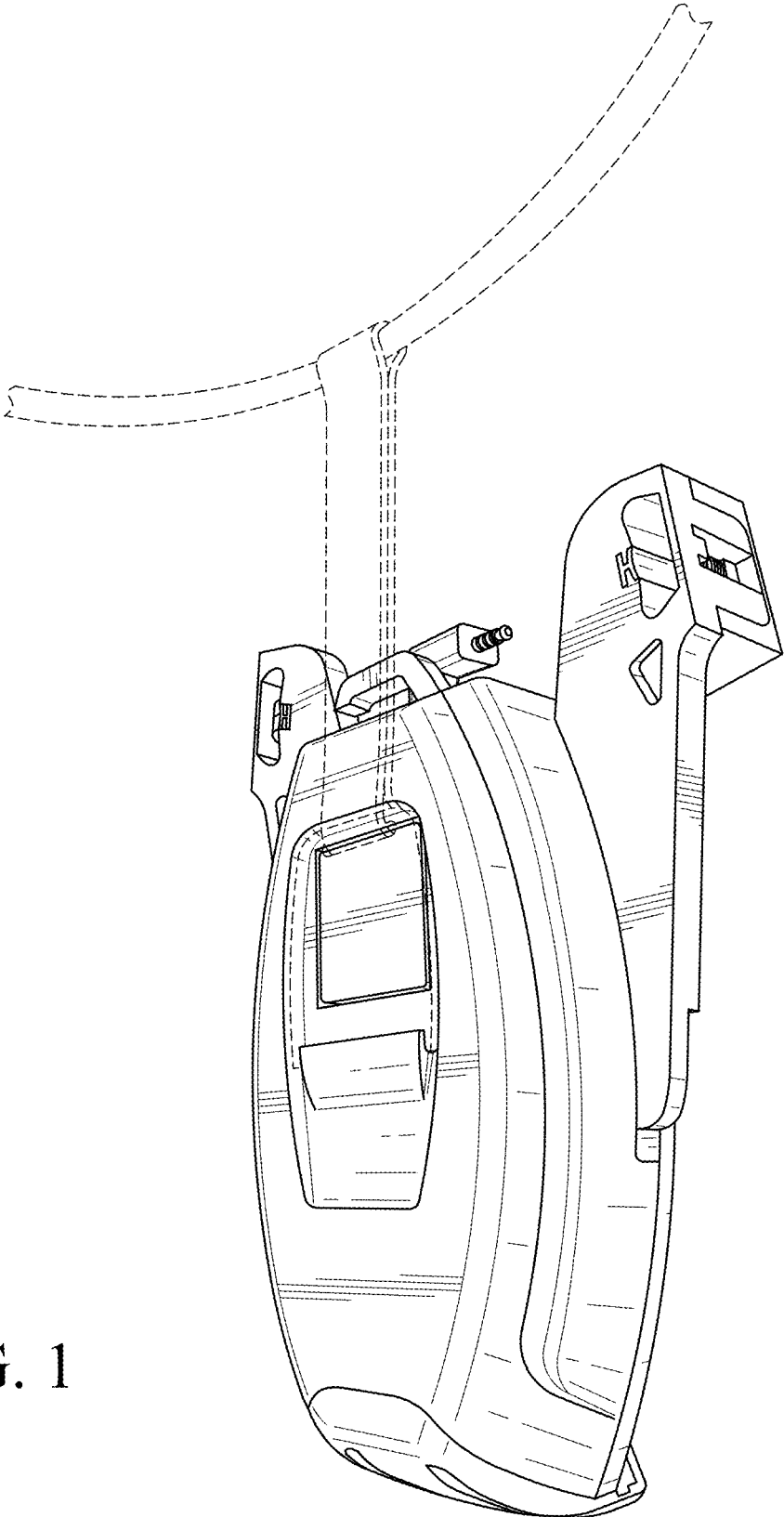


FIG. 1

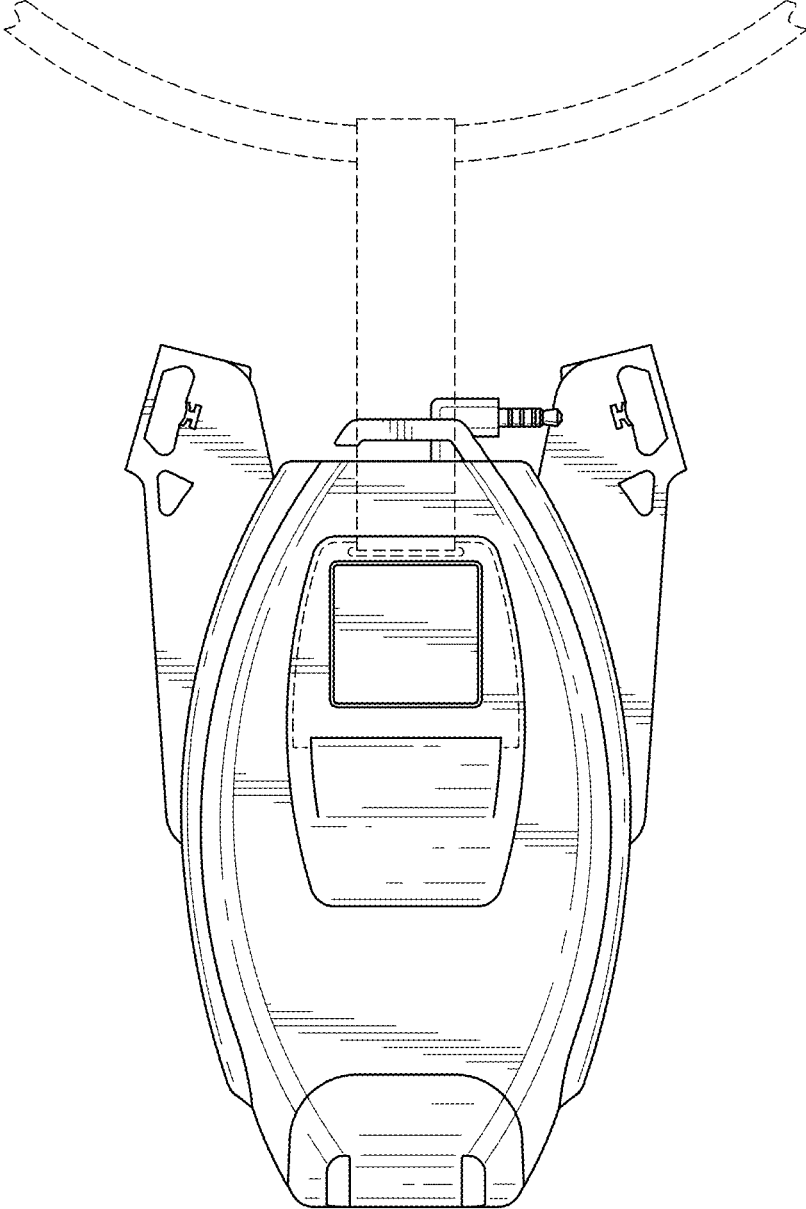


FIG. 2

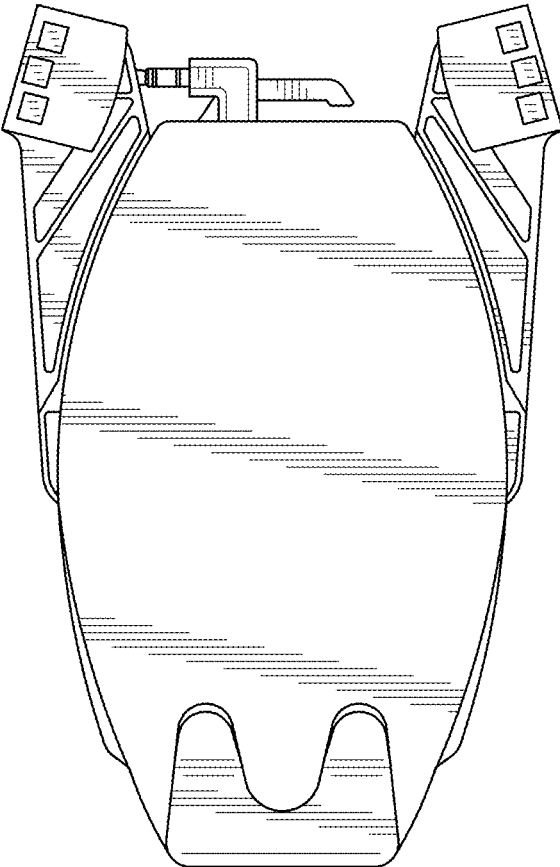


FIG. 3

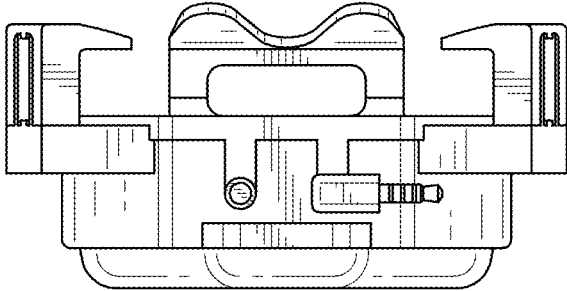


FIG. 4

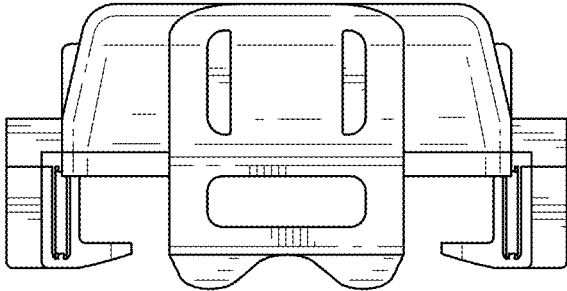


FIG. 5

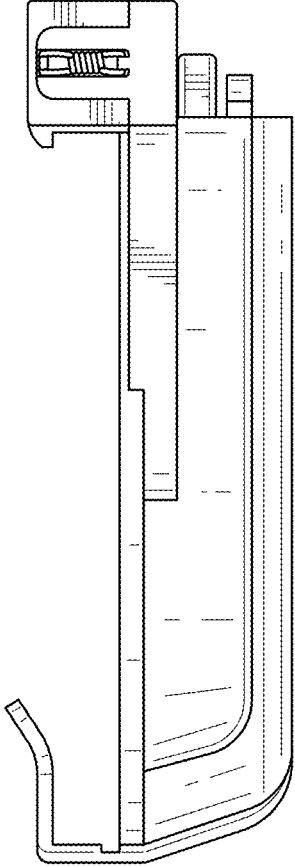


FIG. 6

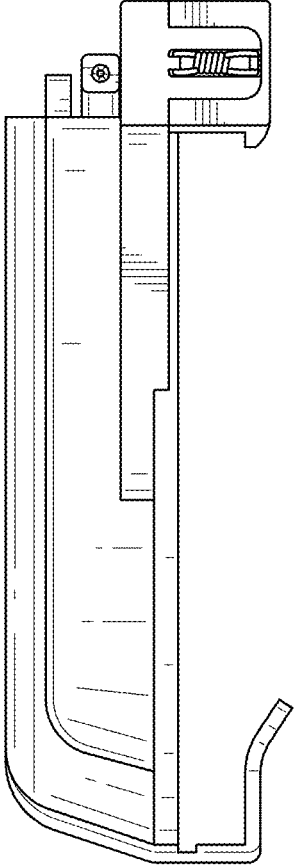


FIG. 7