

(19) World Intellectual Property Organization
International Bureau



(43) International Publication Date
20 February 2003 (20.02.2003)

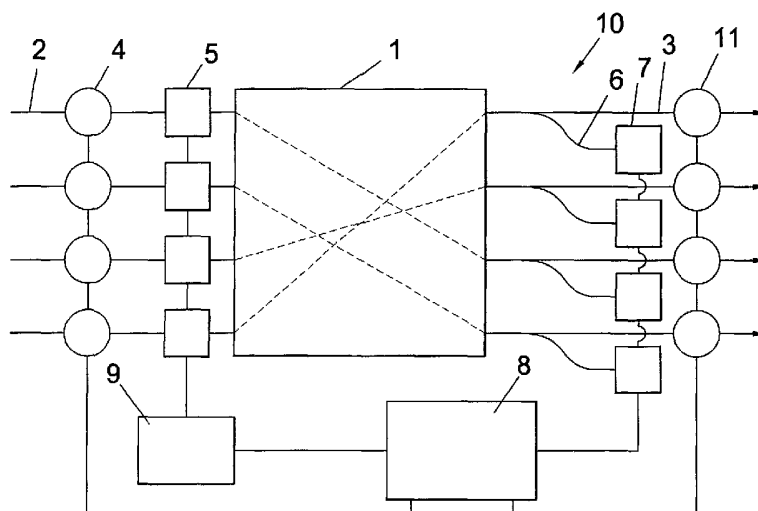
PCT

(10) International Publication Number
WO 03/015455 A3

- (51) International Patent Classification⁷: **H04Q 11/00**
- (21) International Application Number: PCT/GB02/03718
- (22) International Filing Date: 12 August 2002 (12.08.2002)
- (25) Filing Language: English
- (26) Publication Language: English
- (30) Priority Data:
0119620.3 11 August 2001 (11.08.2001) GB
- (71) Applicant (for all designated States except US):
BOOKHAM TECHNOLOGY PLC [GB/GB]; 90 Milton Park, Abingdon, Oxfordshire OX14 4RY (GB).
- (72) Inventor; and
- (75) Inventor/Applicant (for US only): **GAHAN, David, Francis** [GB/GB]; 1 The Croft, West Hanney, Nr Wantage, Oxfordshire OX12 0LD (GB).
- (74) Agents: **MARKS & CLERK** et al.; 4220 Nash Court, Oxford Business Park South, Oxford, Oxfordshire OX4 2RU (GB).
- (81) Designated States (national): AE, AG, AL, AM, AT, AU, AZ, BA, BB, BG, BR, BY, BZ, CA, CH, CN, CO, CR, CU, CZ, DE, DK, DM, DZ, EC, EE, ES, FI, GB, GD, GE, GH, GM, HR, HU, ID, IL, IN, IS, JP, KE, KG, KP, KR, KZ, LC, LK, LR, LS, LT, LU, LV, MA, MD, MG, MK, MN, MW, MX, MZ, NO, NZ, OM, PH, PL, PT, RO, RU, SD, SE, SG, SI, SK, SL, TJ, TM, TN, TR, TT, TZ, UA, UG, US, UZ, VC, VN, YU, ZA, ZM, ZW.
- (84) Designated States (regional): ARIPO patent (GH, GM, KE, LS, MW, MZ, SD, SL, SZ, TZ, UG, ZM, ZW), Eurasian patent (AM, AZ, BY, KG, KZ, MD, RU, TJ, TM), European patent (AT, BE, BG, CH, CY, CZ, DE, DK, EE, ES, FI, FR, GB, GR, IE, IT, LU, MC, NL, PT, SE, SK, TR), OAPI patent (BF, BJ, CF, CG, CI, CM, GA, GN, GQ, GW, ML, MR, NE, SN, TD, TG).
- Published:**
- with international search report
 - before the expiration of the time limit for amending the claims and to be republished in the event of receipt of amendments

[Continued on next page]

(54) Title: OPTICAL ROUTING APPARATUS



(57) Abstract: Optical routing apparatus comprises input waveguides (2) for receiving optical input signals incorporating identifying signals applied by VOAs (4), and beam steering arrangements (5) for directing the input signals towards selected output waveguides (3). A sample of each output signal is tapped off and supplied to a respective photodetector (7). The electrical output signal of the photodetector (7) is supplied to a processor 8 which detects the presence of the required identifying signal in the sample and provides a feedback signal to a steering controller (9). The steering controller (9) controls the steering arrangements (5) in dependence on the feedback signal so as to direct each input signal towards the selected output as determined by detection of the corresponding identifying signal at that output. Such an arrangement enables a selected one of the inputs of an nxn optical switch, for example, to be placed in optical communication with a selected one of the outputs of the switch with optimal beam steering.



WO 03/015455 A3



(88) Date of publication of the international search report:
12 September 2003

For two-letter codes and other abbreviations, refer to the "Guidance Notes on Codes and Abbreviations" appearing at the beginning of each regular issue of the PCT Gazette.

INTERNATIONAL SEARCH REPORT

International Application No
PCT/GB 02/03718

A. CLASSIFICATION OF SUBJECT MATTER
IPC 7 H04Q11/00

According to International Patent Classification (IPC) or to both national classification and IPC

B. FIELDS SEARCHED

Minimum documentation searched (classification system followed by classification symbols)
IPC 7 H04Q

Documentation searched other than minimum documentation to the extent that such documents are included in the fields searched

Electronic data base consulted during the international search (name of data base and, where practical, search terms used)

EPO-Internal, PAJ, INSPEC

C. DOCUMENTS CONSIDERED TO BE RELEVANT

Category °	Citation of document, with indication, where appropriate, of the relevant passages	Relevant to claim No.
X	US 6 320 993 B1 (LAOR HERZEL) 20 November 2001 (2001-11-20) column 1, line 65 -column 2, line 15 column 2, line 63 -column 4, line 5 column 9, line 56 - line 62 column 11, line 9 - line 15 column 12, line 63 - line 65 column 13, line 34 - line 45 column 16, line 52 -column 17, line 24 column 28, line 36 -column 29, line 9 ---	1-20
A	EP 0 869 694 A (FUJITSU LTD) 7 October 1998 (1998-10-07) column 2, line 29 - line 35 column 8, line 8 - line 11 -----	1-20

Further documents are listed in the continuation of box C.

Patent family members are listed in annex.

° Special categories of cited documents :

- *A* document defining the general state of the art which is not considered to be of particular relevance
- *E* earlier document but published on or after the international filing date
- *L* document which may throw doubts on priority claim(s) or which is cited to establish the publication date of another citation or other special reason (as specified)
- *O* document referring to an oral disclosure, use, exhibition or other means
- *P* document published prior to the international filing date but later than the priority date claimed

- *T* later document published after the international filing date or priority date and not in conflict with the application but cited to understand the principle or theory underlying the invention
- *X* document of particular relevance; the claimed invention cannot be considered novel or cannot be considered to involve an inventive step when the document is taken alone
- *Y* document of particular relevance; the claimed invention cannot be considered to involve an inventive step when the document is combined with one or more other such documents, such combination being obvious to a person skilled in the art.
- *&* document member of the same patent family

Date of the actual completion of the international search

17 July 2003

Date of mailing of the international search report

25/07/2003

Name and mailing address of the ISA
 European Patent Office, P.B. 5818 Patentlaan 2
 NL - 2280 HV Rijswijk
 Tel. (+31-70) 340-2040, Tx. 31 651 epo nl,
 Fax: (+31-70) 340-3016

Authorized officer

Fleckinger, C

INTERNATIONAL SEARCH REPORT

Information on patent family members

International	Application No
PCT/GB	02/03718

Patent document cited in search report	Publication date	Patent family member(s)	Publication date	
US 6320993	B1	20-11-2001	US 6097858 A	01-08-2000
			US 6097860 A	01-08-2000
			US 6101299 A	08-08-2000
			AU 2903001 A	30-04-2001
			WO 0124384 A2	05-04-2001
			AU 6381599 A	10-01-2000
			BR 9910904 A	13-02-2001
			CA 2334279 A1	29-12-1999
			CN 1306630 T	01-08-2001
			EP 1110114 A1	27-06-2001
			JP 2002519710 T	02-07-2002
WO 9967666 A1	29-12-1999			
EP 0869694	A	07-10-1998	JP 10262030 A	29-09-1998
			JP 10303816 A	13-11-1998
			CN 1198624 A	11-11-1998
			EP 0869694 A2	07-10-1998
			US 2002063921 A1	30-05-2002
			US 2002196489 A1	26-12-2002