



US00D596010S

(12) **United States Design Patent**
Cheldin

(10) **Patent No.:** **US D596,010 S**

(45) **Date of Patent:** **** Jul. 14, 2009**

(54) **STAPLE REMOVER WITH PLIERS, LETTER OPENER AND SCREEN CLEANER**

(76) Inventor: **Erwin Cheldin**, 23251 Mulholland Dr., Woodland Hills, CA (US) 91364

(**) Term: **14 Years**

(21) Appl. No.: **29/327,107**

(22) Filed: **Oct. 30, 2008**

(51) **LOC (9) Cl.** **08-03**

(52) **U.S. Cl.** **D8/104; D8/48**

(58) **Field of Classification Search** D8/98,
D8/107, 102, 103, 104, 48, 99, 41; D19/65,
D19/36; 30/DIG. 3, 294; 254/28; 7/160;
D10/2

See application file for complete search history.

(56) **References Cited**

U.S. PATENT DOCUMENTS

D181,226 S *	10/1957	Pankonin	D8/48
D181,229 S *	10/1957	Pankonin	D8/48
D281,662 S *	12/1985	Augustin	D8/48
4,784,370 A *	11/1988	Strickland	254/28
4,921,216 A *	5/1990	Krulich	254/28
5,085,404 A *	2/1992	Thieleke et al.	254/28
5,292,106 A *	3/1994	Li	254/28
5,354,033 A *	10/1994	Cheldin	254/28

D352,217 S *	11/1994	Hochfeld et al.	D8/48
5,513,833 A *	5/1996	Kirk	254/28
5,875,503 A *	3/1999	Cheldin	7/160
5,938,178 A *	8/1999	Oh	254/28
6,145,811 A *	11/2000	Cheldin	254/28

* cited by examiner

Primary Examiner—Cathron C Brooks

Assistant Examiner—Austin Murphy

(74) *Attorney, Agent, or Firm*—Kelly Lowry & Kelley, LLP

(57) **CLAIM**

The ornamental design for a staple remover with pliers, letter opener and screen cleaner, as shown.

DESCRIPTION

FIG. 1 is a top, front and right side perspective view of a staple remover with pliers, letter opener and screen cleaner embodying my new design;

FIG. 2 is a front elevational view thereof;

FIG. 3 is a rear elevational view thereof;

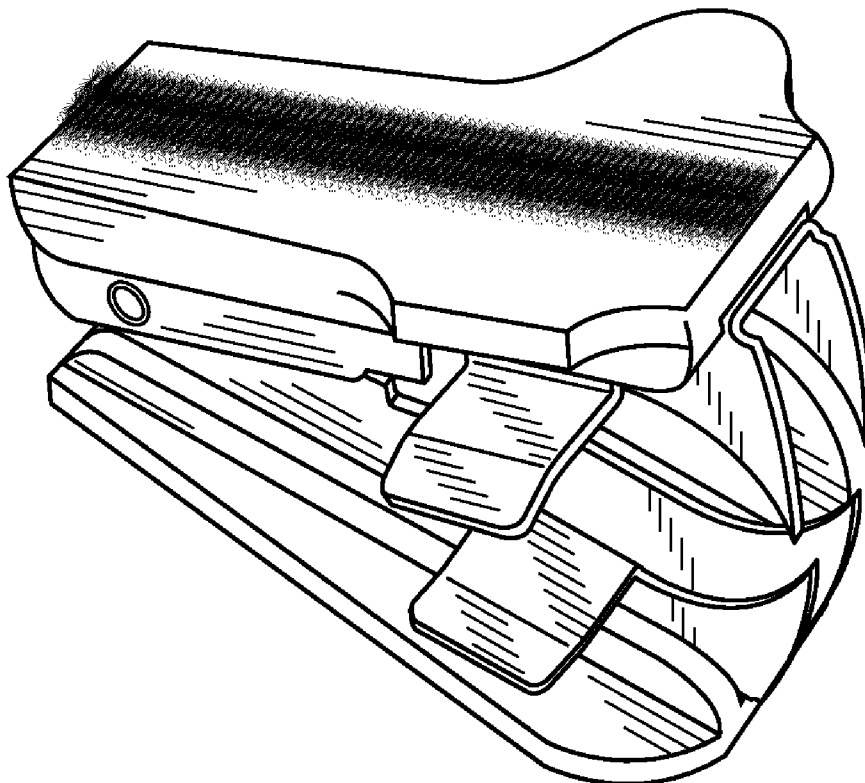
FIG. 4 is a right side elevational view thereof;

FIG. 5 is a left side elevational view thereof;

FIG. 6 is a top plan view thereof; and,

FIG. 7 is a bottom plan view thereof.

1 Claim, 2 Drawing Sheets



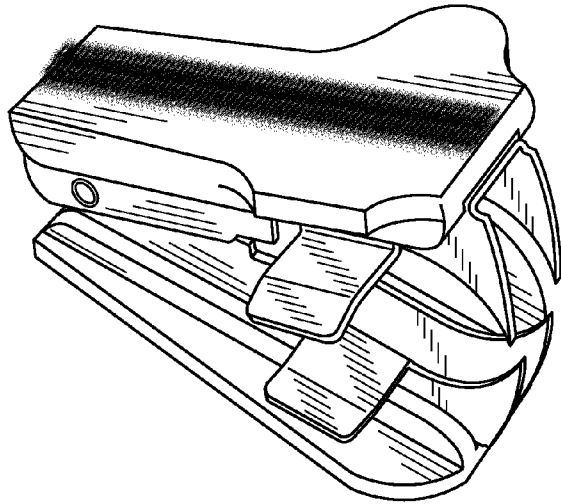


FIG. 1

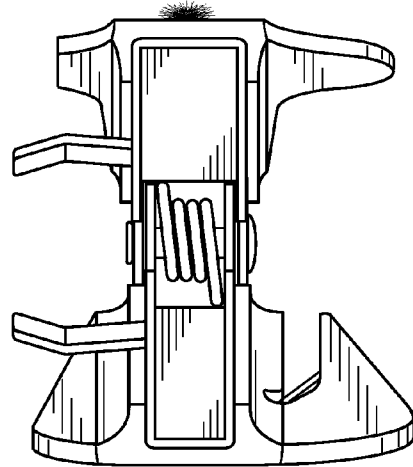


FIG. 2

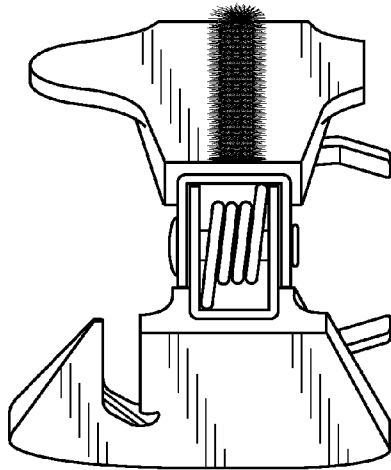


FIG. 3

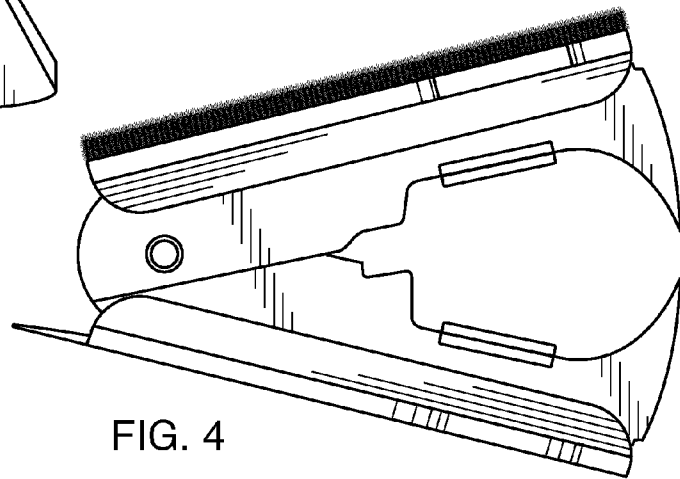


FIG. 4

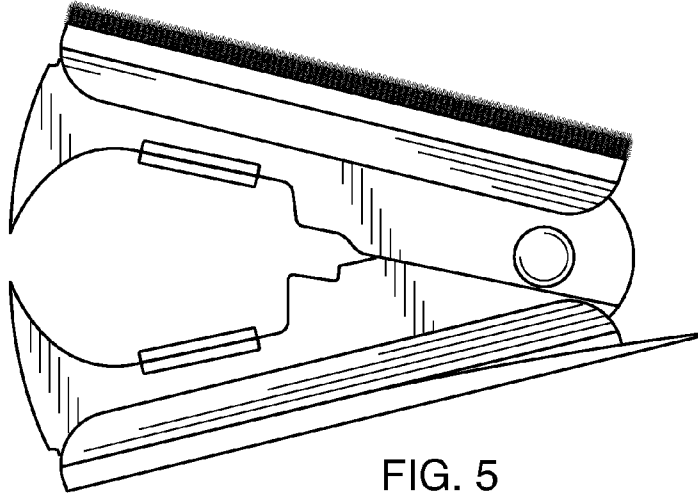


FIG. 5

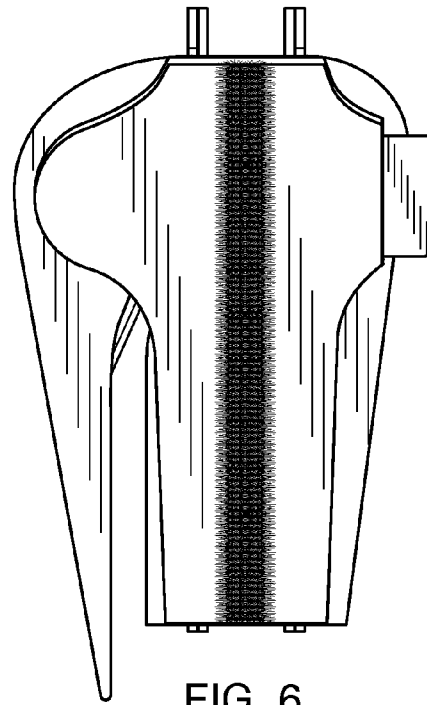


FIG. 6

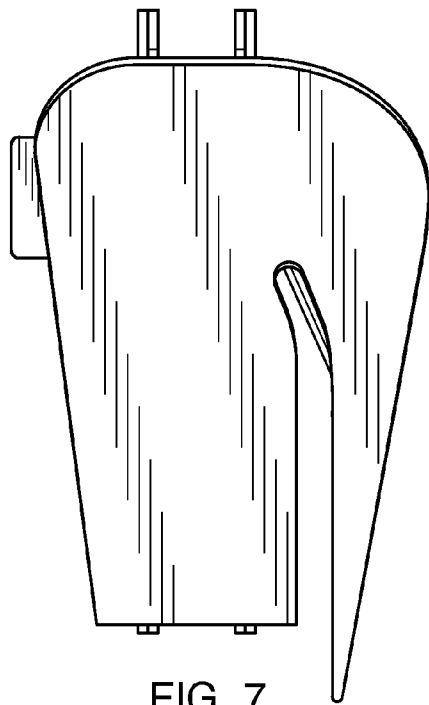


FIG. 7