



US00D723941S

(12) **United States Design Patent**  
**Lewis et al.**

(10) **Patent No.:** **US D723,941 S**  
(45) **Date of Patent:** **\*\* Mar. 10, 2015**

(54) **DISK HOLDER WITH SLEEVE**  
(75) Inventors: **Kevin Andrew Lewis**, Dallas, TX (US);  
**Travis Michael Smith**, Plano, TX (US);  
**Eileen Frances Head**, Van Alstyne, TX  
(US); **Debra Vowell Trahan**, Plano, TX  
(US)

(73) Assignee: **Blockbuster L.L.C.**, Englewood, CO  
(US)

(\*\*) Term: **14 Years**

(21) Appl. No.: **29/411,752**

(22) Filed: **Jan. 25, 2012**

(51) **LOC (10) Cl.** ..... **09-05**

(52) **U.S. Cl.**  
USPC ..... **D9/711**

(58) **Field of Classification Search**  
USPC ..... D9/702-714, 720-722, 424, 445, 415,  
D9/432-433, 422, 426, 418; D6/626, 407,  
D6/631-634, 628-629; 206/308.1, 309,  
206/311, 308.3, 312, 313, 454, 307.1, 307,  
206/310; 383/61.1, 61.2, 200; 312/902, 9.9,  
312/9.64; 211/40, 41.12; 229/68.1  
See application file for complete search history.

(56) **References Cited**

**U.S. PATENT DOCUMENTS**

4,951,826 A 8/1990 Tompkins  
5,040,687 A 8/1991 Whittington

(Continued)

**OTHER PUBLICATIONS**

U.S. Appl. No. 13/461,754, filed May 1, 2012, Non Final Office  
Action mailed Nov. 6, 2014, 24 pages.

*Primary Examiner* — Richard E. Chilcot, Jr.

*Assistant Examiner* — Abraham Bahta

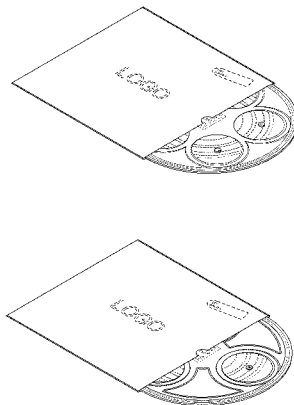
(74) *Attorney, Agent, or Firm* — Kilpatrick Townsend &  
Stockton LLP

(57) **CLAIM**  
The ornamental design for a disk holder with sleeve, as shown  
and described.

**DESCRIPTION**

FIG. 1 is a perspective view of the disk holder with sleeve  
showing our new design;  
FIG. 2 is perspective view of the sleeve shown separately for  
ease of illustration;  
FIG. 3 is a top plan view of FIG. 2;  
FIG. 4 is as left side elevational view of FIG. 2;  
FIG. 5 is a right side elevational view of FIG. 2;  
FIG. 6 is a front elevational view of FIG. 2, the rear eleva-  
tional view being a mirror image thereof;  
FIG. 7 is a bottom plan view of FIG. 2;  
FIG. 8 is a perspective view of the disk holder shown sepa-  
rately for ease of illustration;  
FIG. 9 is a left side elevational view of FIG. 8, the right side  
being a mirror image thereof;  
FIG. 10 is a top plan view of FIG. 8;  
FIG. 11 is a front elevational view of FIG. 8, the rear eleva-  
tional view being a mirror image thereof;  
FIG. 12 is a bottom plan of FIG. 8;  
FIG. 13 is a top plan view of FIG. 8 shown separately without  
the background for ease of illustration;  
FIG. 14 is a bottom plan view of FIG. 13;  
FIG. 15 is a perspective view of another embodiment of a disk  
holder and sleeve;  
FIG. 16 is a perspective view of the disk holder of FIG. 15;  
FIG. 17 is a left side elevational of the disk holder of FIG. 15,  
the right side being a mirror image;  
FIG. 18 is a top plan view of the disk holder of FIG. 15;  
FIG. 19 is a front elevational view of the disk holder of FIG.  
15, the rear elevational view being a mirror image;  
FIG. 20 is a bottom plan view of the disk holder of FIG. 15;  
and,  
FIG. 21 is a top plan view of the disk holder of FIG. 15 shown  
separately without the back ground illustration.  
In the drawings, the broken-line showing of imagery on the  
disk holder and sleeve depicts environmental subject matter  
only and forms no part of the claimed design.

**1 Claim, 14 Drawing Sheets**



(56)

References Cited

U.S. PATENT DOCUMENTS

D333,610	S *	3/1993	Oshry et al. ....	D9/703	6,640,969	B2	11/2003	Darby	
5,261,534	A	11/1993	Krebs et al.		D488,000	S *	4/2004	Chen .....	D6/407
5,375,706	A	12/1994	Perez		7,028,835	B1	4/2006	Rajter, Jr.	
D371,482	S *	7/1996	Cole, Sr. ....	D6/626	7,117,992	B2	10/2006	Westmeyer et al.	
5,533,614	A	7/1996	Walker		D553,896	S *	10/2007	Siecke et al. ....	D6/634
5,609,258	A	3/1997	Spector		D558,503	S *	1/2008	Hurley .....	D6/635
5,611,426	A	3/1997	Warfield		D572,964	S *	7/2008	Gelardi et al. ....	D6/634
5,788,068	A	8/1998	Fraser et al.		7,650,989	B2	1/2010	Chou	
D406,487	S *	3/1999	Attar et al. ....	D6/632	D642,480	S *	8/2011	Hollyman .....	D9/702
D420,240	S *	2/2000	Sorenson et al. ....	D6/632	2002/0112976	A1	8/2002	Huber	
6,070,721	A	6/2000	Levitan		2008/0105573	A1	5/2008	Gonzales	
D437,505	S *	2/2001	Fraser et al. ....	D6/407	2008/0173557	A1	7/2008	Chou	
6,622,866	B2	9/2003	Roberts et al.		2009/0283430	A1	11/2009	Joaquin	
					2009/0301910	A1	12/2009	Ron et al.	
					2013/0291492	A1	11/2013	Lewis et al.	

\* cited by examiner

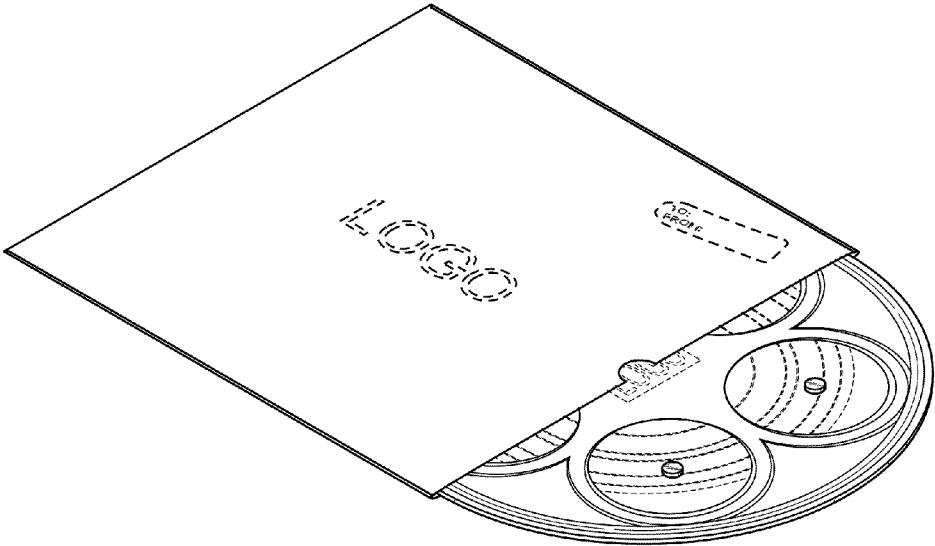


FIG.1

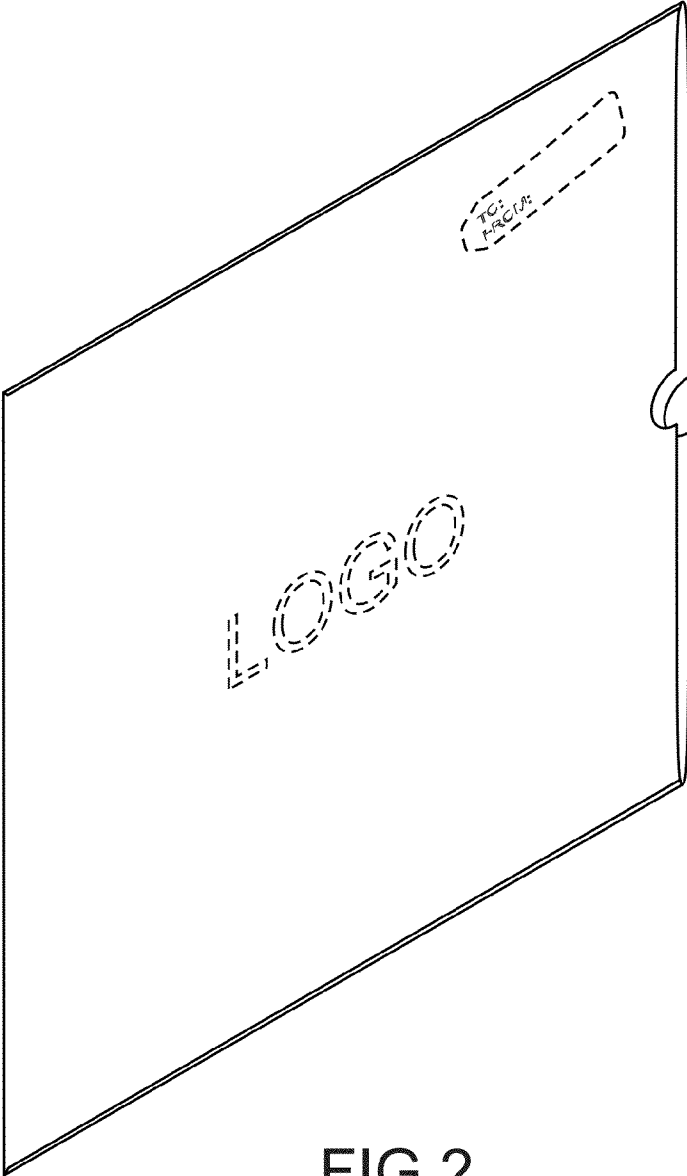


FIG. 2

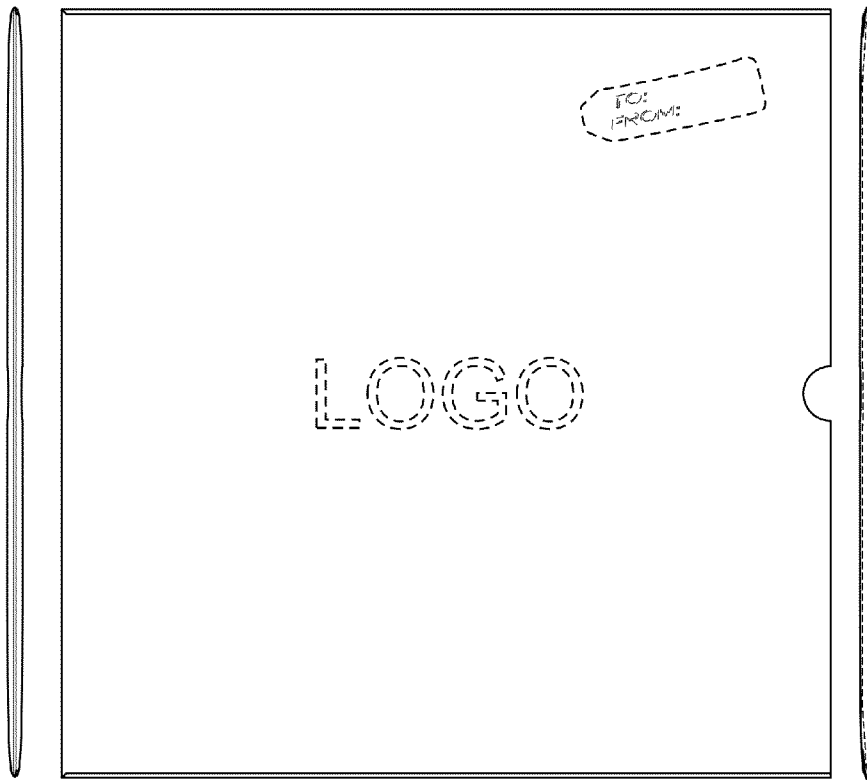


FIG.4

FIG.3

FIG.5



FIG.6

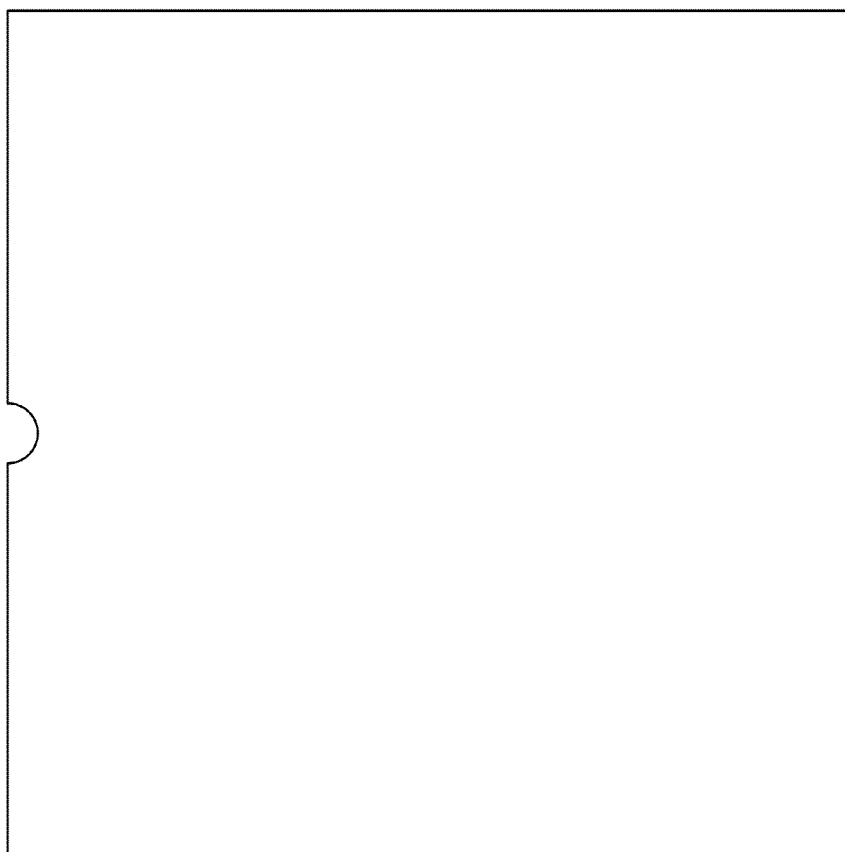


FIG.7

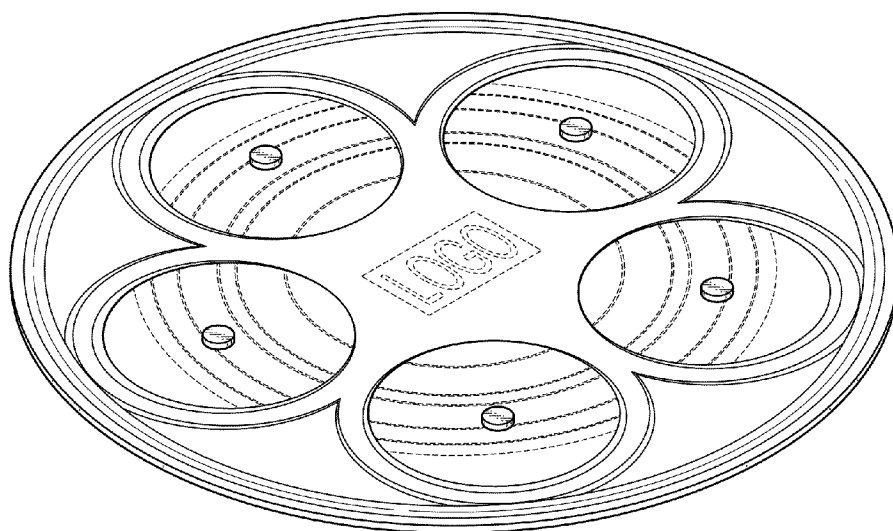


FIG.8

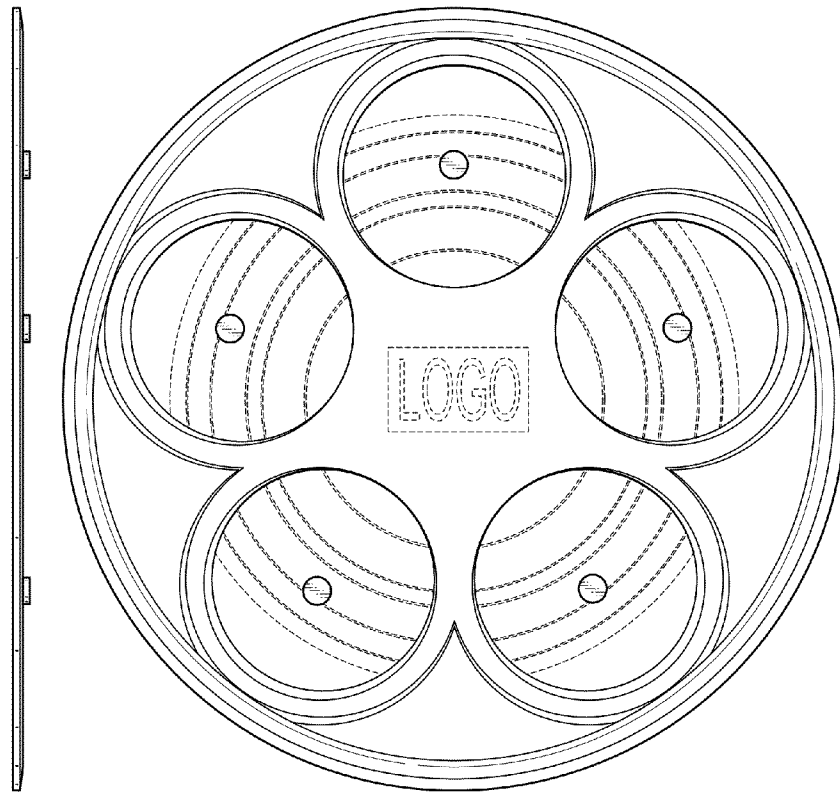


FIG.9

FIG.10



FIG.11

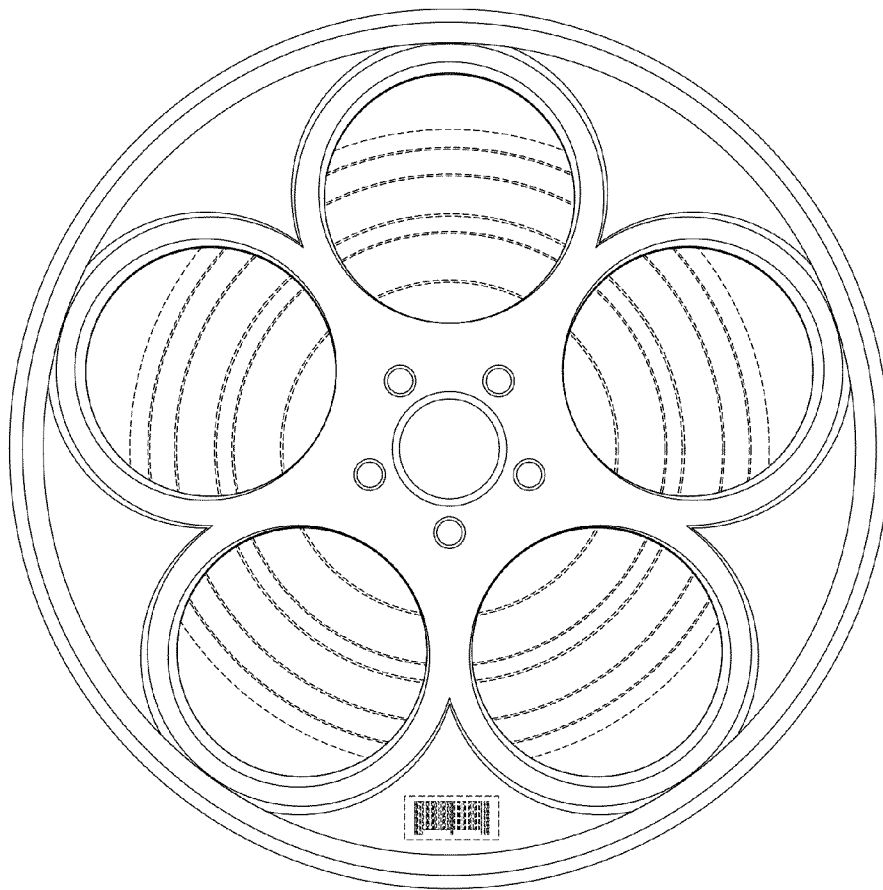


FIG.12

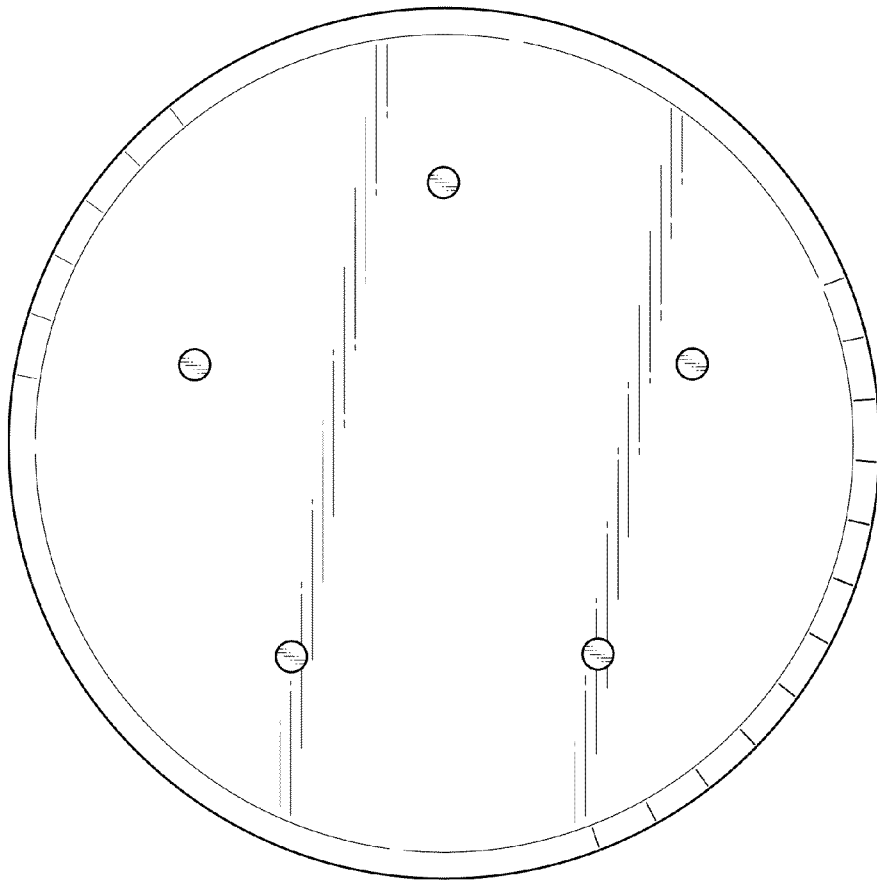


FIG.13

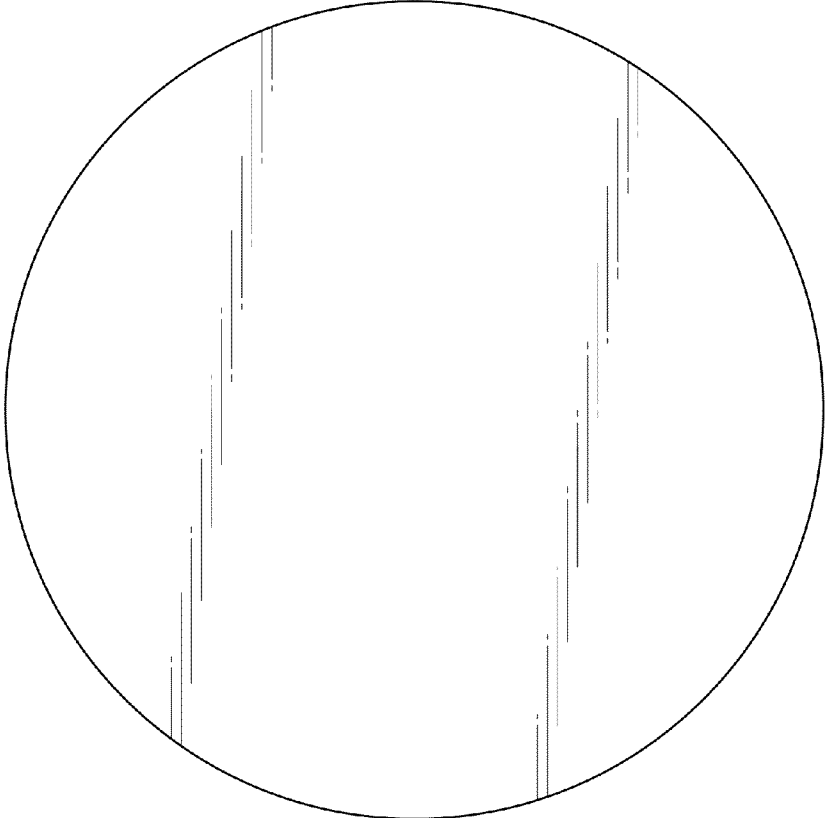


FIG.14

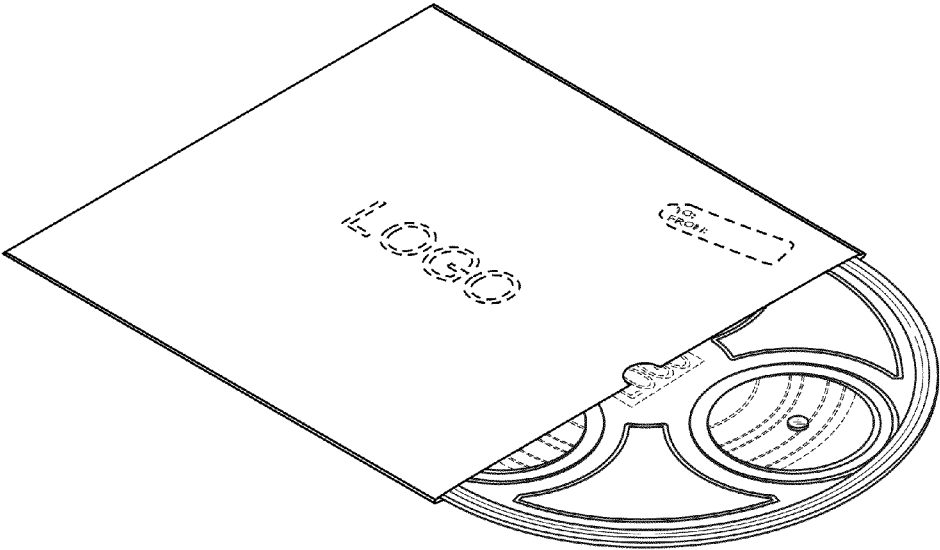


FIG.15

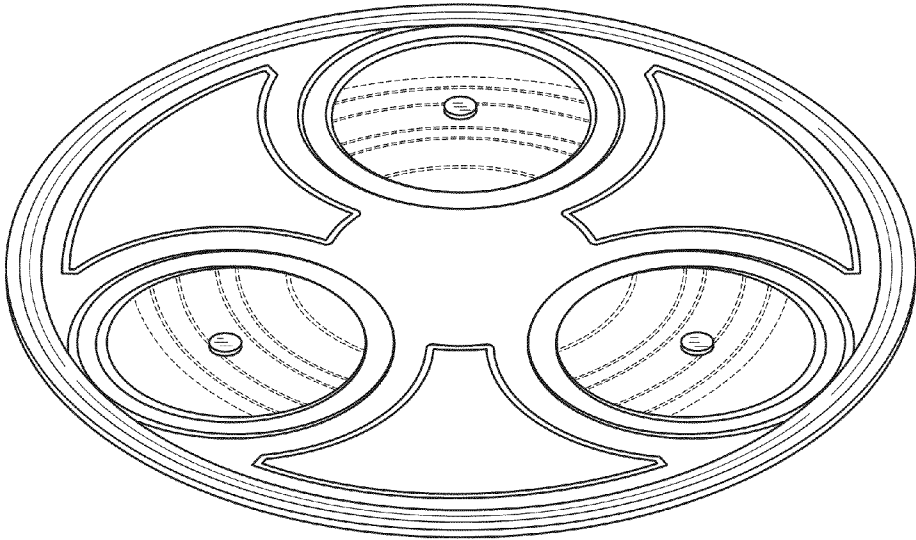


FIG.16

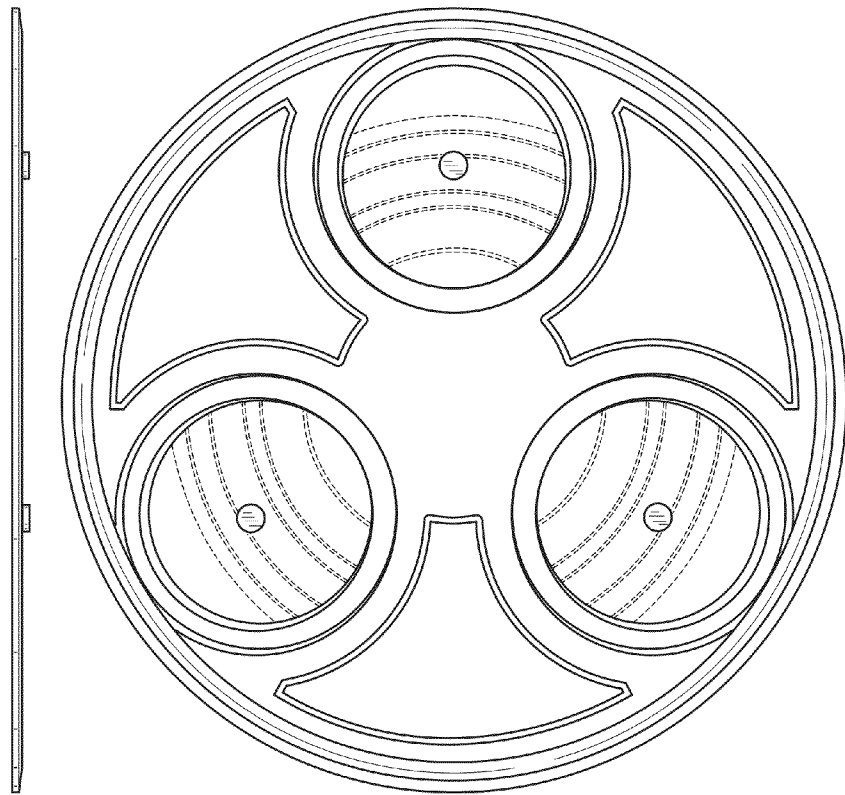


FIG.17

FIG.18



FIG.19

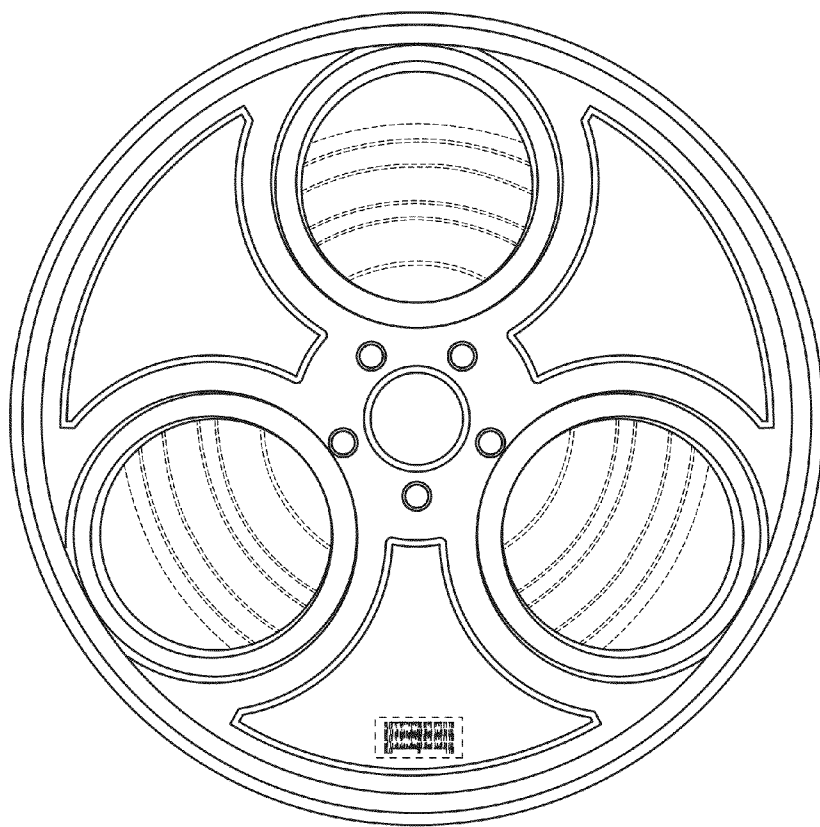


FIG.20

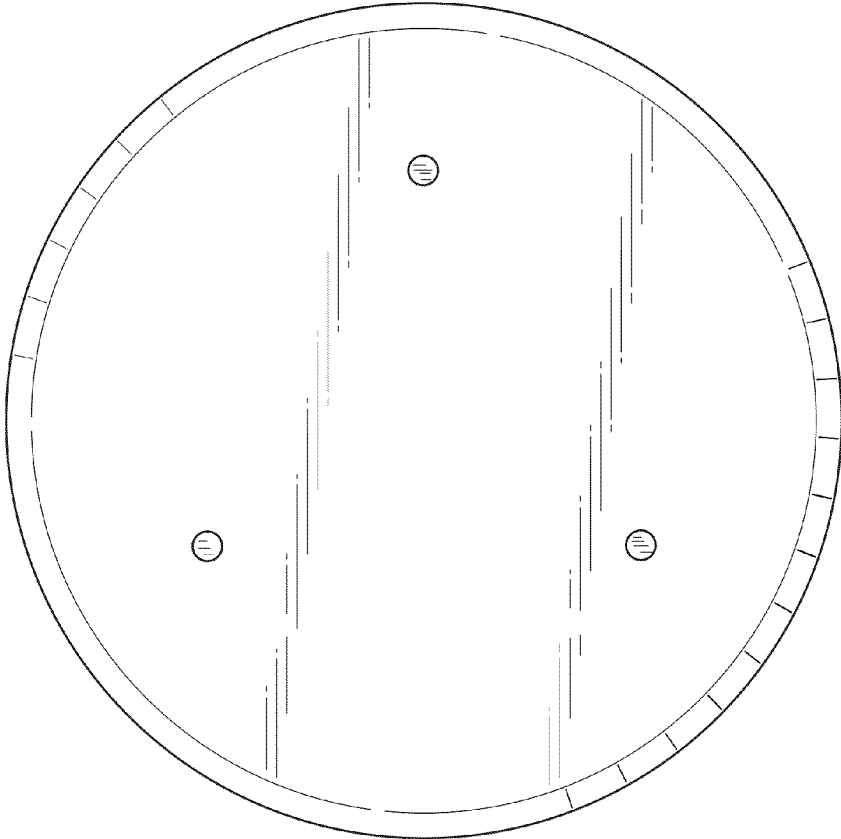


FIG.21