



US00D362369S

United States Patent [19] Bridges

[11] Patent Number: **Des. 362,369**
[45] Date of Patent: **** Sep. 19, 1995**

[54] **BEVERAGE MUG**
[75] Inventor: **John A. Bridges**, Nashville, Tenn.
[73] Assignee: **Aladdin Synergetics, Inc.**, Nashville, Tenn.
[**] Term: **14 Years**
[21] Appl. No.: **7,974**
[22] Filed: **May 7, 1993**
[52] U.S. Cl. **D7/536; D7/533**
[58] Field of Search **D7/509, 510, 511, 512, D7/514, 315, 523, 529, 532, 533, 536; 220/669, 670, 672, 674; D9/500, 502**

2,905,350 9/1959 Edwards .
3,009,603 11/1961 Stockdale .
3,035,623 5/1962 Goetz .
3,372,830 3/1968 Edwards .
3,372,830 12/1993 Edwards .
3,684,123 8/1972 Bridges .
3,836,063 9/1974 Sutch .
4,193,494 3/1980 Green .
4,420,081 12/1983 Dart .
4,974,741 12/1990 Gustafson et al. .
5,067,622 11/1991 Garver et al. .
5,344,040 9/1994 Schaeppi .

OTHER PUBLICATIONS

Glass, Goldschmiede-Zeitung European Jeweler, Nov. 1973 p. 50.
Coffee Mug for Lauder Beauty Fashion, Aug. 1988 p. 73.
Kessler Sales Corporation Product Brochure. Patented Dec. 4, 1990.

[56] References Cited U.S. PATENT DOCUMENTS

D. 15,058 6/1884 Otto .
D. 65,527 9/1924 Graham D7/532
D. 67,738 7/1923 Bell D7/532
D. 69,175 1/1926 Fisher D7/532
D. 70,476 6/1926 Heisey D7/532
D. 113,230 2/1939 Karstadt D7/532
D. 155,289 9/1949 Hoople D7/536
D. 159,599 8/1950 Chaplin .
D. 198,139 5/1964 Edwards .
D. 210,570 3/1968 Campbell D9/502
D. 234,108 1/1975 Achenbach .
D. 242,416 11/1976 Achenbach .
D. 263,916 4/1982 Reece D7/510
D. 293,293 12/1987 Isles D7/536 X
D. 304,889 12/1989 Symeist D7/536
D. 321,626 11/1991 Kouts D7/510
D. 342,189 12/1993 Smith et al. D7/510
D. 346,308 4/1994 Cautereel et al. D7/509
D. 346,933 5/1974 Denny et al. D7/533 X
2,859,557 11/1958 Lattuca .

Primary Examiner—Alan P. Douglas
Assistant Examiner—M. N. Pandozzi
Attorney, Agent, or Firm—Sandler, Greenblum & Bernstein

[57] CLAIM

The ornamental design for a beverage mug, as shown and described.

DESCRIPTION

FIG. 1 is a front elevational view of a beverage mug showing my new design;
FIG. 2 is a rear elevational view thereof;
FIG. 3 is a top plan view thereof;
FIG. 4 is a bottom plan view thereof; and,
FIG. 5 is a longitudinal cross-sectional view taken along the line 5—5 of FIG. 2.

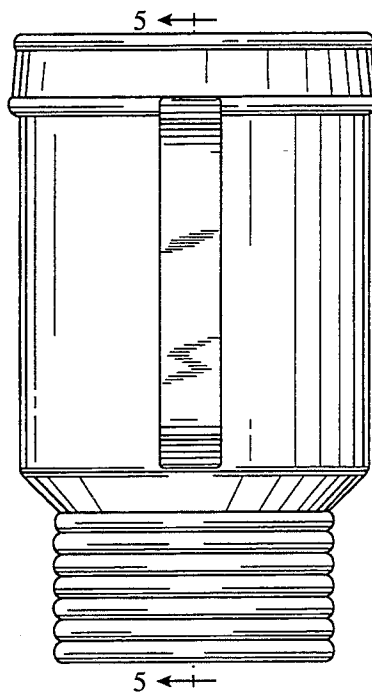


FIG. 2

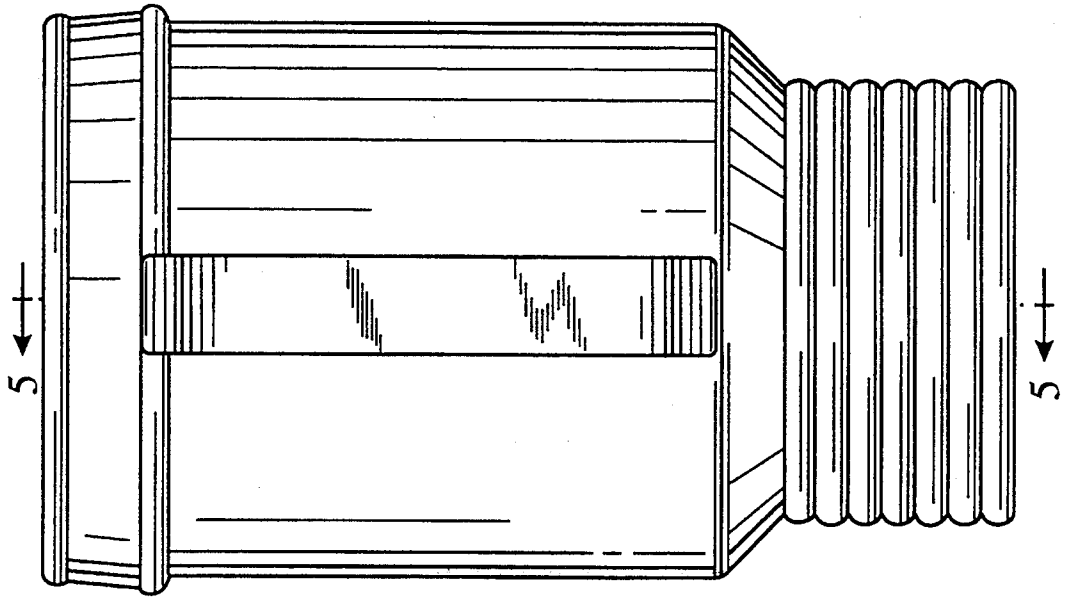


FIG. 1

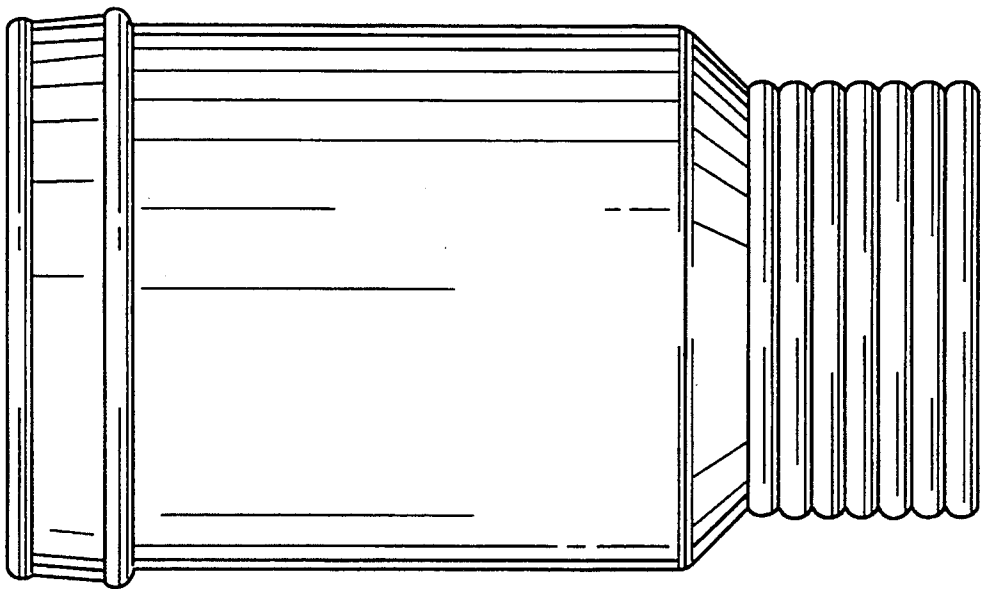


FIG. 3

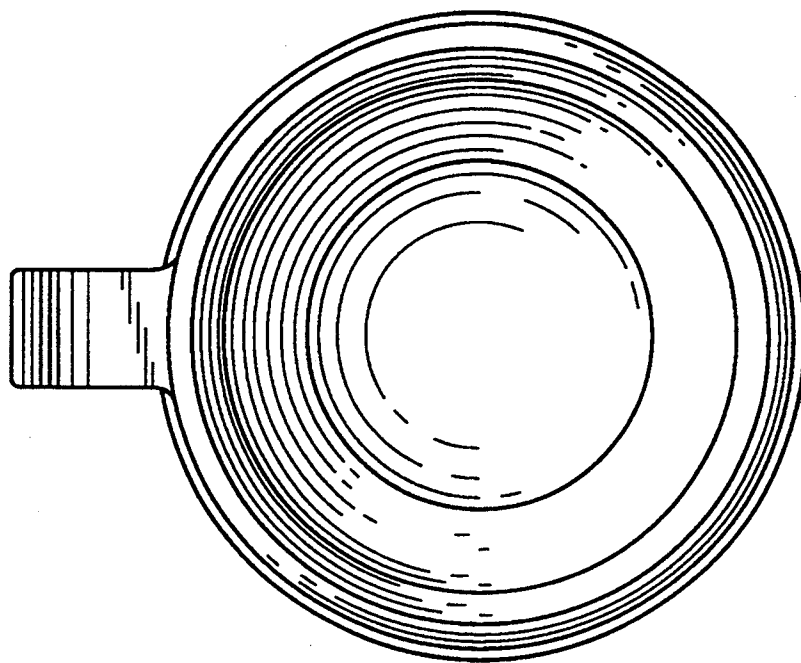


FIG. 4

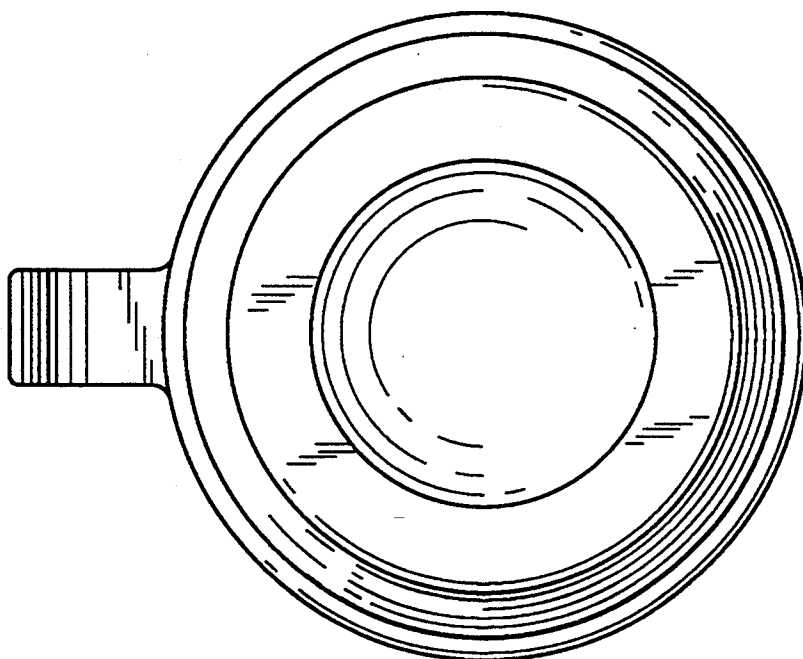
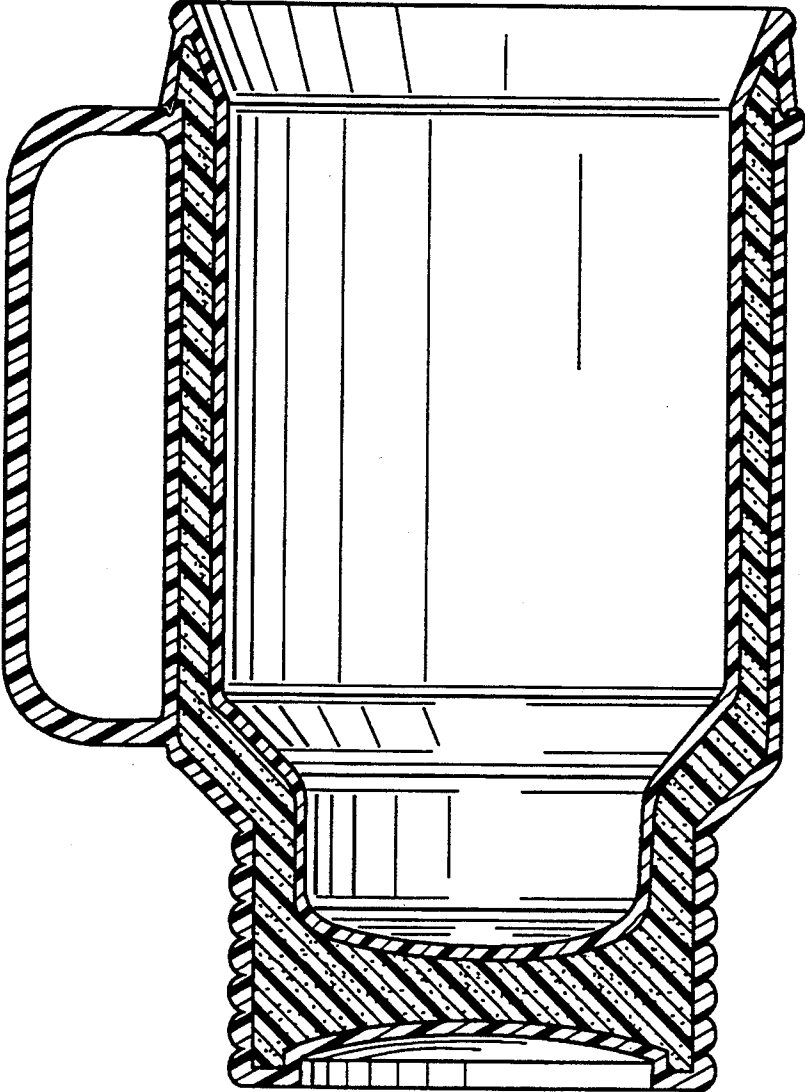


FIG. 5



UNITED STATES PATENT AND TRADEMARK OFFICE
CERTIFICATE OF CORRECTION

PATENT NO. : Des. 362,369
DATED : Sep. 19, 1995
INVENTOR(S) : BRIDGES, John

Page 1 of 2

It is certified that error appears in the above-identified patent and that said Letters Patent is hereby corrected as shown below:

On cover page, in section [56], "References Cited", "U.S. PATENT DOCUMENTS", column 1, line 3, change "7/1923" to
---7/1925--- .

On cover page, in section [56], "References Cited", "U.S. PATENT DOCUMENTS", column 1, line 15, change "Symcist" to
---Stymeist---.

On cover page, in section [56], "References Cited", "U.S. PATENT DOCUMENTS", column 1, line 18, change "Cautereel et al." to ---
Cautereels et al.---

On cover page, in section [56], "References Cited", "U.S. PATENT DOCUMENTS", column 1, line 19, change "5/1974" to
---5/1994---

UNITED STATES PATENT AND TRADEMARK OFFICE
CERTIFICATE OF CORRECTION

PATENT NO. : Des. 362,369
DATED : Sep. 19, 1995
INVENTOR(S) : Bridges, John

Page 2 of 2

It is certified that error appears in the above-identified patent and that said Letters Patent is hereby corrected as shown below:

On cover page, in section [56], "References Cited", "U.S. PATENT DOCUMENTS", column 1, line 20, insert ---1,649,292 11/1927 Draper---

Signed and Sealed this
Second Day of January, 1996

Attest:



BRUCE LEHMAN

Attesting Officer

Commissioner of Patents and Trademarks