



US00D503370S

(12) **United States Design Patent**
Nordmann

(10) **Patent No.:** **US D503,370 S**

(45) **Date of Patent:** **** Mar. 29, 2005**

(54) **FRONT FACE OF A VEHICLE WHEEL**

(75) **Inventor:** **Christoph Nordmann, Munich (DE)**

(73) **Assignee:** **Bayerische Motoren Werke
Aktiengesellschaft, Munich (DE)**

(**) **Term:** **14 Years**

(21) **Appl. No.:** **29/178,620**

(22) **Filed:** **Mar. 31, 2003**

(30) **Foreign Application Priority Data**

Oct. 1, 2002 (DE) 4 02 08 288

(51) **LOC (7) Cl.** **12-16**

(52) **U.S. Cl.** **D12/211**

(58) **Field of Search** D12/204-213;
301/37.101, 64.101, 65

(56) **References Cited**

U.S. PATENT DOCUMENTS

D336,886 S * 6/1993 Mikawa D12/211

D451,466 S * 12/2001 Fujii D12/211
D456,335 S * 4/2002 Chung D12/211
D460,036 S * 7/2002 Yajima D12/211
D461,443 S * 8/2002 Fitzgerald D12/211
D467,856 S * 12/2002 Pfeiffer D12/209
D487,242 S * 3/2004 Lecher et al. D12/211

* cited by examiner

Primary Examiner—Stacia Cadmus

(74) *Attorney, Agent, or Firm*—Crowell & Moring LLP

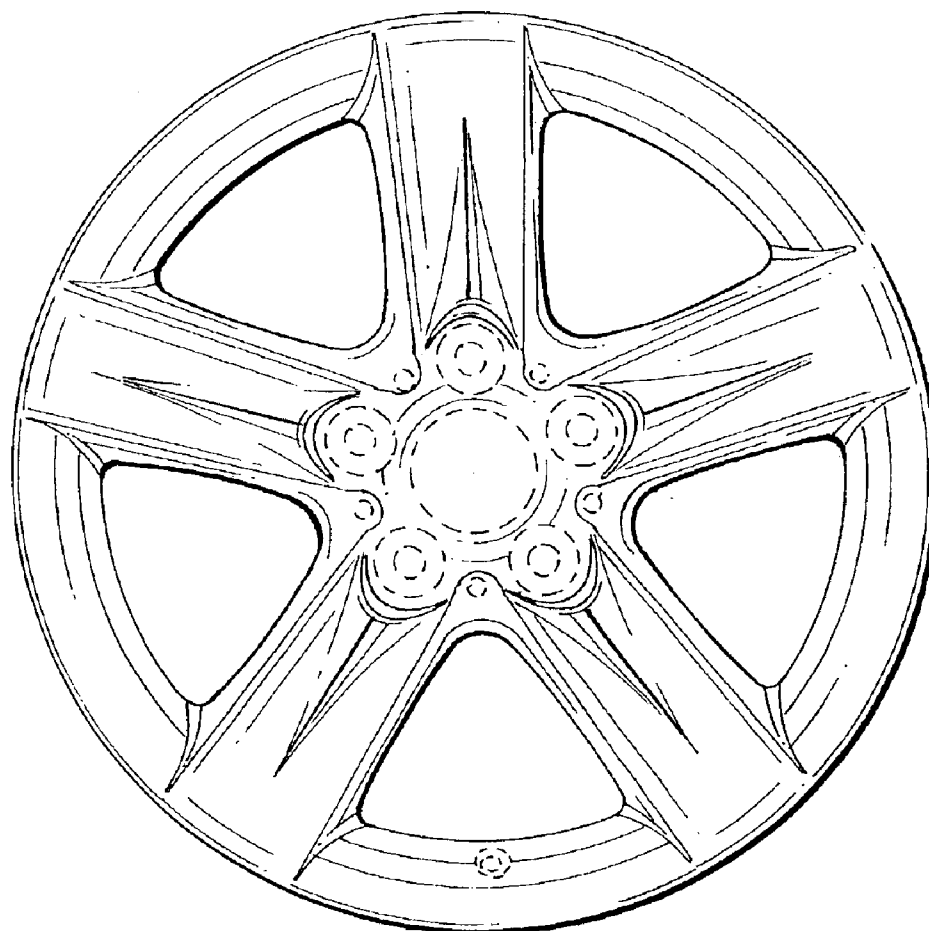
(57) **CLAIM**

The ornamental design for a front face of a vehicle wheel, as shown and described.

DESCRIPTION

FIG. 1 is a front view of a front face of a vehicle wheel according to my novel design; and, FIG. 2 is a perspective view of the front face of a vehicle wheel according to my novel design. The dash lines included depict environment and are not part of the claimed design.

1 Claim, 1 Drawing Sheet



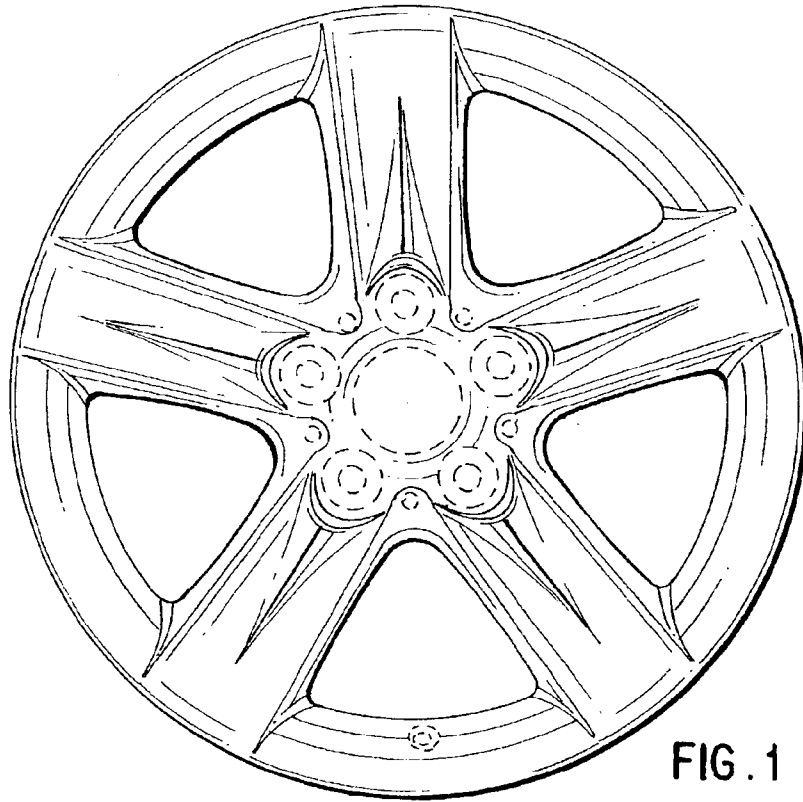


FIG. 1

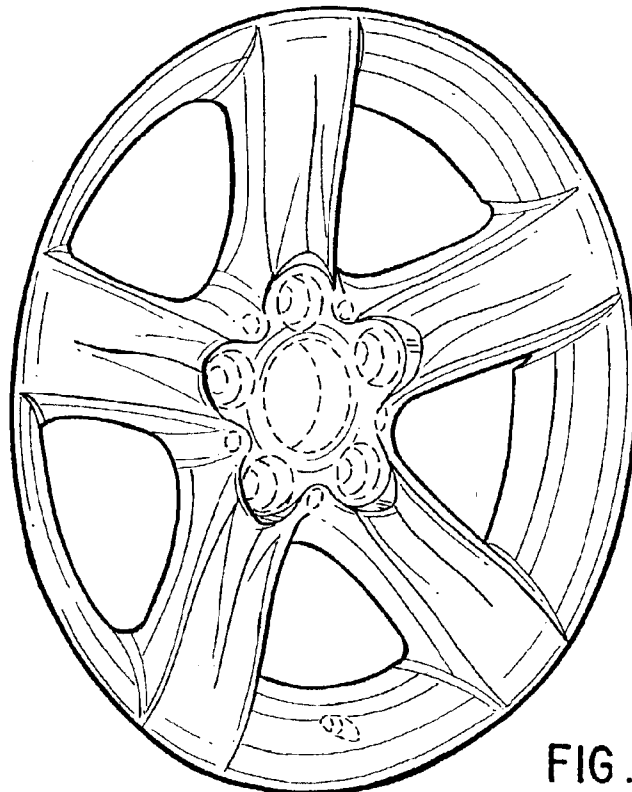


FIG. 2