



(12) **United States Design Patent**
Morimoto

(10) **Patent No.:** **US D742,454 S**
(45) **Date of Patent:** **** Nov. 3, 2015**

(54) **MARKING PEN**

(71) Applicant: **KURETAKE CO., LTD.**, Nara (JP)

(72) Inventor: **Makiko Morimoto**, Nara (JP)

(73) Assignee: **KURETAKE CO., LTD.**, Nara (JP)

(**) Term: **14 Years**

(21) Appl. No.: **29/492,955**

(22) Filed: **Jun. 4, 2014**

Related U.S. Application Data

(62) Division of application No. 29/447,209, filed on Mar. 1, 2013, now Pat. No. Des. 711,471.

Foreign Application Priority Data

Nov. 15, 2012 (JP) 2012-027945
Nov. 15, 2012 (JP) 2012-027946
Nov. 15, 2012 (JP) 2012-027947

(51) **LOC (10) Cl.** **19-06**

(52) **U.S. Cl.**
USPC **D19/200**

(58) **Field of Classification Search**
USPC D14/411; D19/115-204; D26/34, 38
CPC B43K 5/005; B43K 7/00; B43K 7/01;
B43K 7/10; B43K 8/02; B43K 8/022; B43K
8/024; B43K 8/026; B43K 8/028; B43K 8/03;
B43K 11/00

See application file for complete search history.

(56) **References Cited**

U.S. PATENT DOCUMENTS

1,942,283	A *	1/1934	Hale	15/105.51
2,217,439	A *	10/1940	Fuller	15/188
2,219,909	A *	10/1940	Schlicker	132/317
3,887,287	A *	6/1975	Rosh, Jr.	401/35
D276,479	S *	11/1984	Mori	D3/208
4,652,163	A *	3/1987	Karliner et al.	401/195
5,123,764	A *	6/1992	Duncan et al.	401/10
5,765,407	A *	6/1998	Choo et al.	68/214
7,886,898	B2 *	2/2011	Tsakiris	206/77.1
D669,530	S *	10/2012	Hung	D19/41
8,303,202	B1 *	11/2012	Garcia	401/52
2011/0286783	A1 *	11/2011	Harden	401/175
2012/0160261	A1 *	6/2012	Harden	132/311

* cited by examiner

Primary Examiner — Elizabeth Albert

(74) *Attorney, Agent, or Firm* — Andrew F. Young, Esq.;
Lackebach Siegel, LLP

(57) **CLAIM**

The ornamental design for a marking pen, as shown and described.

DESCRIPTION

FIG. 1 is a front perspective view of a marking pen showing my new design.

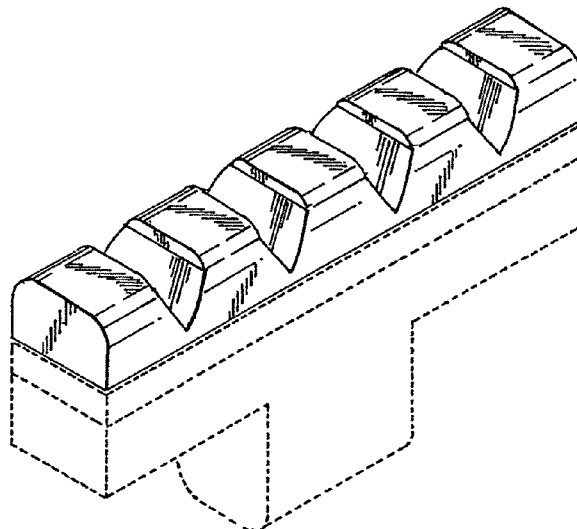
FIG. 2 is a front elevation view of FIG. 1, a back elevation view being a mirror image thereof.

FIG. 3 is a left side elevation view of FIG. 1, a right side elevation view being a mirror image thereof; and,

FIG. 4 is a top plan view of FIG. 1.

The broken lines in the drawings are included to show portions of the marking pen that form no part of the claimed design.

1 Claim, 1 Drawing Sheet



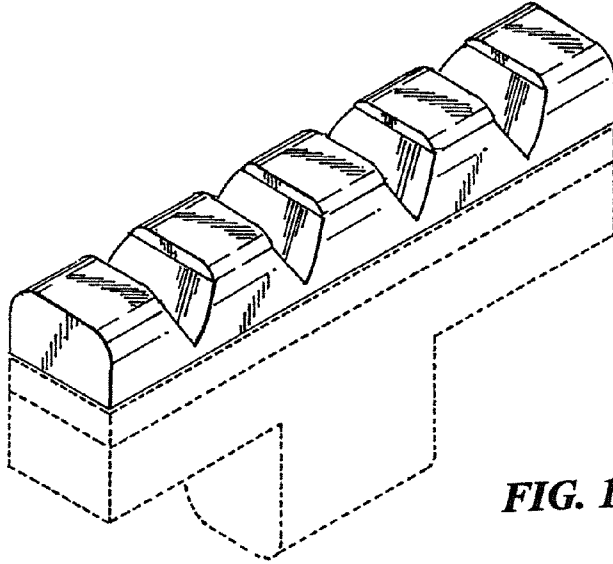


FIG. 1

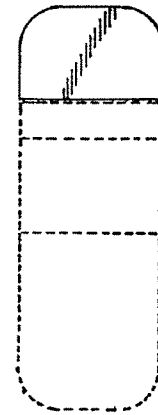


FIG. 3

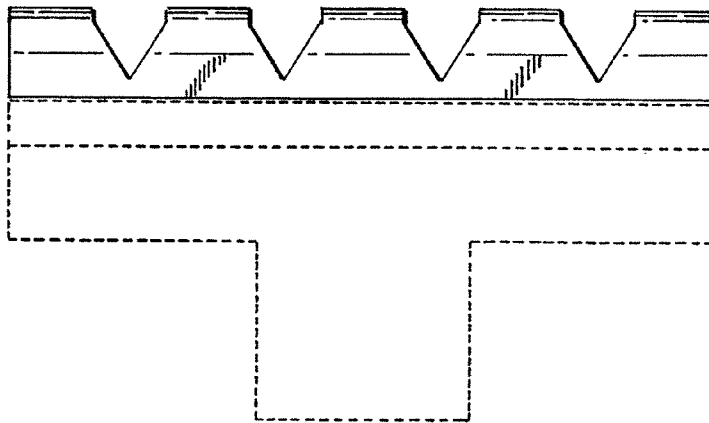


FIG. 2

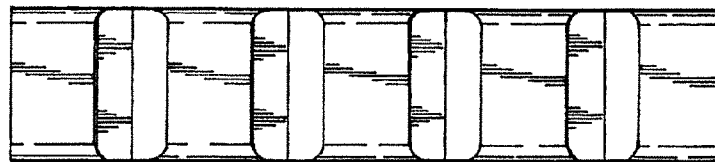


FIG. 4