



US00D731714S

(12) **United States Design Patent**
Mihlbauer

(10) **Patent No.:** **US D731,714 S**

(45) **Date of Patent:** **** Jun. 9, 2015**

(54) **FISH TANK**

Primary Examiner — Wan Laymon

(71) Applicant: **CENTRAL GARDEN & PET COMPANY**, Walnut Creek, CA (US)

(74) *Attorney, Agent, or Firm* — Grossman, Tucker, Perreault & Pfleger, PLLC

(72) Inventor: **Brad L. Mihlbauer**, Mukwonago, WI (US)

(57) **CLAIM**

The ornamental design for a fish tank, as shown and described.

(73) Assignee: **CENTRAL GARDEN & PET COMPANY**, Walnut Creek, CA (US)

DESCRIPTION

(**) Term: **14 Years**

FIG. 1 is a perspective view of a fish tank of the present invention;

(21) Appl. No.: **29/477,302**

FIG. 2 is a front view of the fish tank of FIG. 1;

(22) Filed: **Dec. 20, 2013**

FIG. 3 is a back view of the fish tank of FIG. 1;

(51) **LOC (10) Cl.** **30-02**

FIG. 4 is a left side view of the fish tank of FIG. 1;

(52) **U.S. Cl.**

USPC **D30/102**

FIG. 5 is a right side view of the fish tank of FIG. 1;

(58) **Field of Classification Search**

USPC D30/101–107; D11/145; 119/245–248, 119/250, 253–257, 269, 268

FIG. 6 is a top view of the fish tank of FIG. 1;

See application file for complete search history.

FIG. 7 is a bottom view of the fish tank of FIG. 1;

(56)

References Cited

U.S. PATENT DOCUMENTS

2,879,742	A	*	3/1959	Morrill	D30/101
3,367,063	A	*	2/1968	Bondesen et al.	D30/101
3,664,301	A	*	5/1972	Morrill	119/258
D233,049	S	*	10/1974	Bennett et al.	D30/105
D241,333	S	*	9/1976	Wheeler	D30/101

(Continued)

OTHER PUBLICATIONS

“YingYang cups”, <http://eternalpuppy.deviantart.com/art/YingYang-cups-80426448>, Nov. 26, 2013.

FIG. 8 is a top view of the fish tank of FIG. 1 as assembled with another fish tank;

FIG. 9 is a perspective view of the fish tank of FIG. 1 as assembled with another fish tank;

FIG. 10 is a perspective view of the fish tank of the present invention;

FIG. 11 is a front view of the fish tank of FIG. 10;

FIG. 12 is a back view of the fish tank of FIG. 10;

FIG. 13 is a left side view of the fish tank of FIG. 10;

FIG. 14 is a right side view of the fish tank of FIG. 10;

FIG. 15 is a top view of the fish tank of FIG. 10;

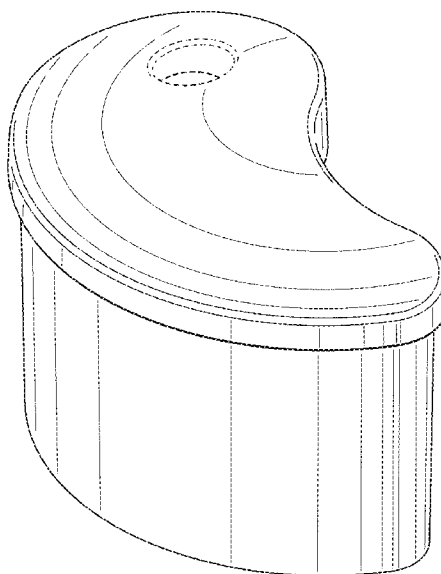
FIG. 16 is a bottom view of the fish tank of FIG. 10;

FIG. 17 is a top view of the fish tank of FIG. 10 as assembled with another fish tank; and,

FIG. 18 is a perspective view of the fish tank of FIG. 10 as assembled with another fish tank.

The broken lines shown in the figures represent portions of the fish tank that form no part of the claimed design.

1 Claim, 18 Drawing Sheets



US D731,714 S

Page 2

(56)

References Cited

U.S. PATENT DOCUMENTS

D255,948 S *	7/1980	Robert	D30/105	
D490,940 S *	6/2004	Wang	D30/105	* cited by examiner
7,243,613 B2	7/2007	Holms et al.			
D548,406 S *	8/2007	Mihlbauer	D30/101	
2014/0261215 A1 *	9/2014	Tuan et al.	119/245	

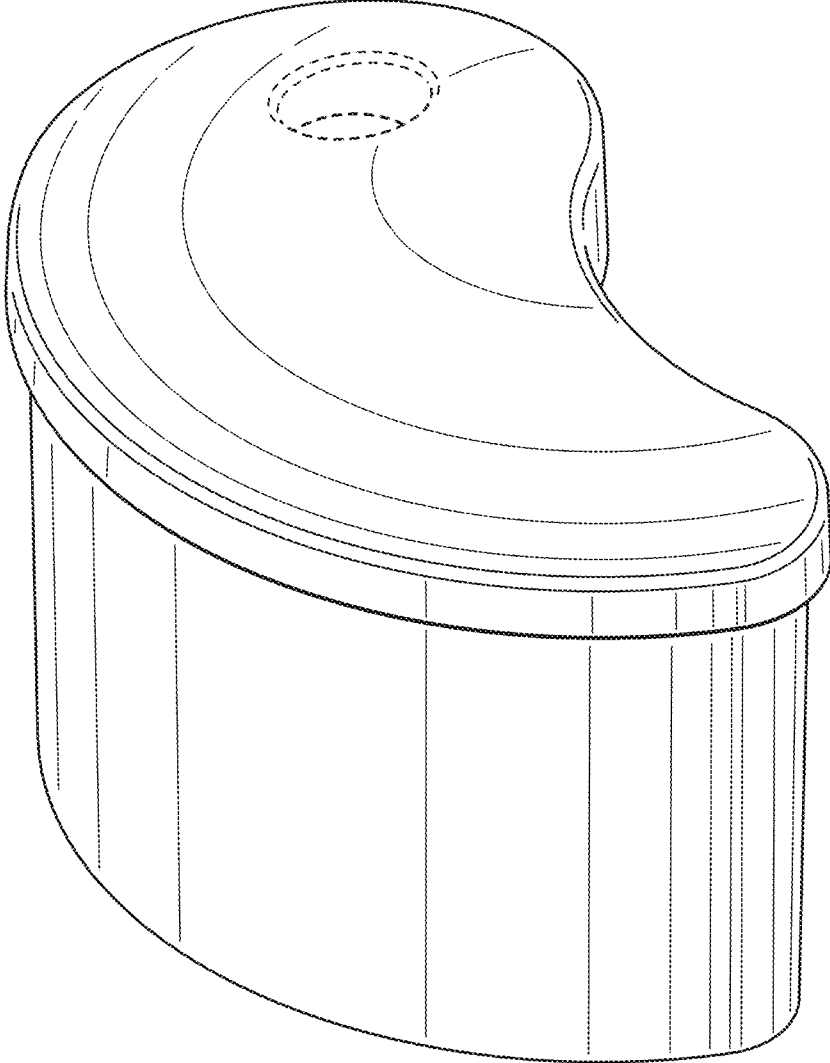


FIG. 1

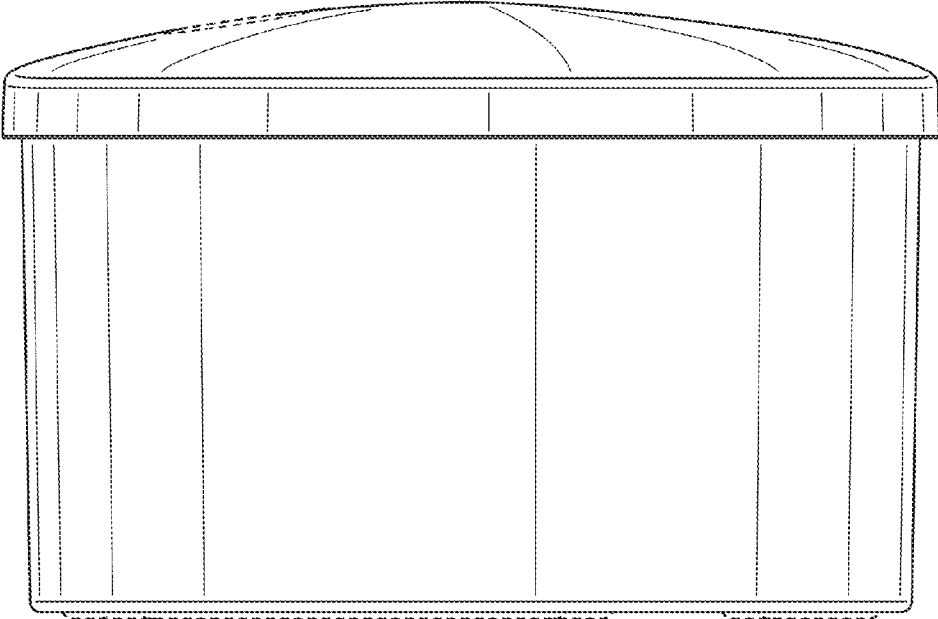


FIG. 2

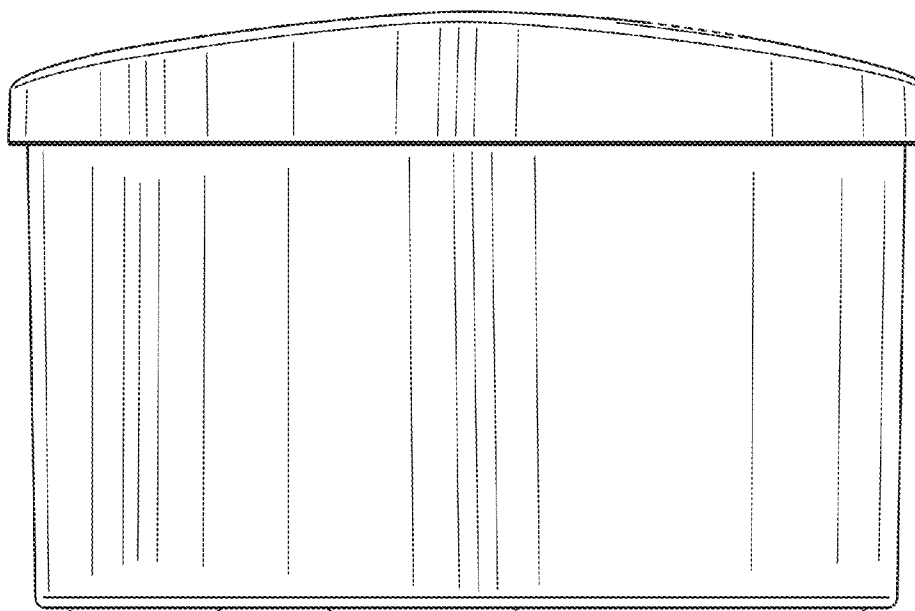


FIG. 3

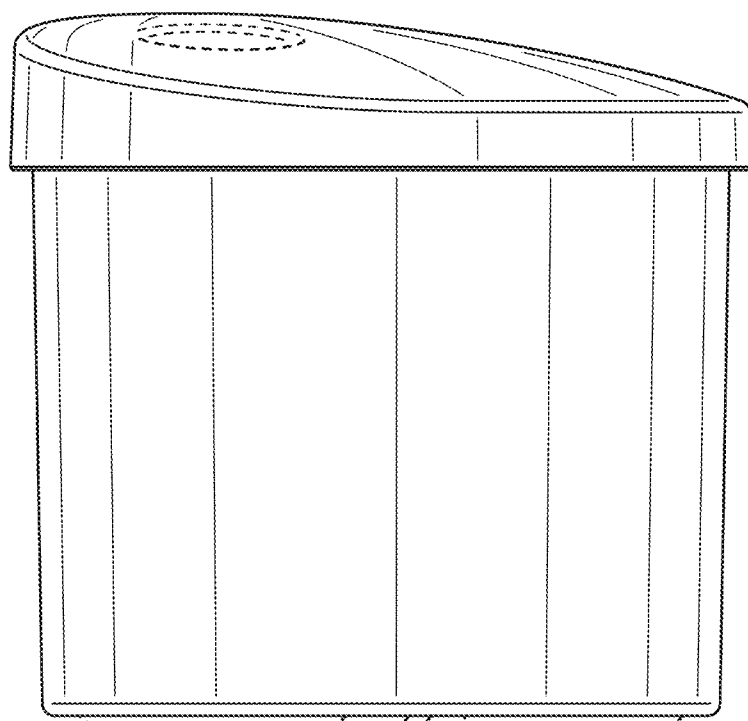


FIG. 4

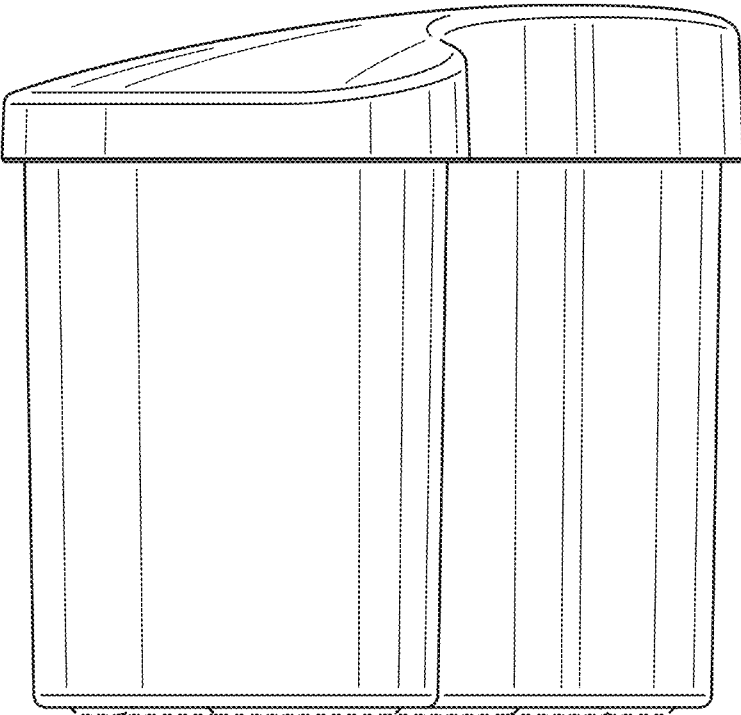


FIG. 5

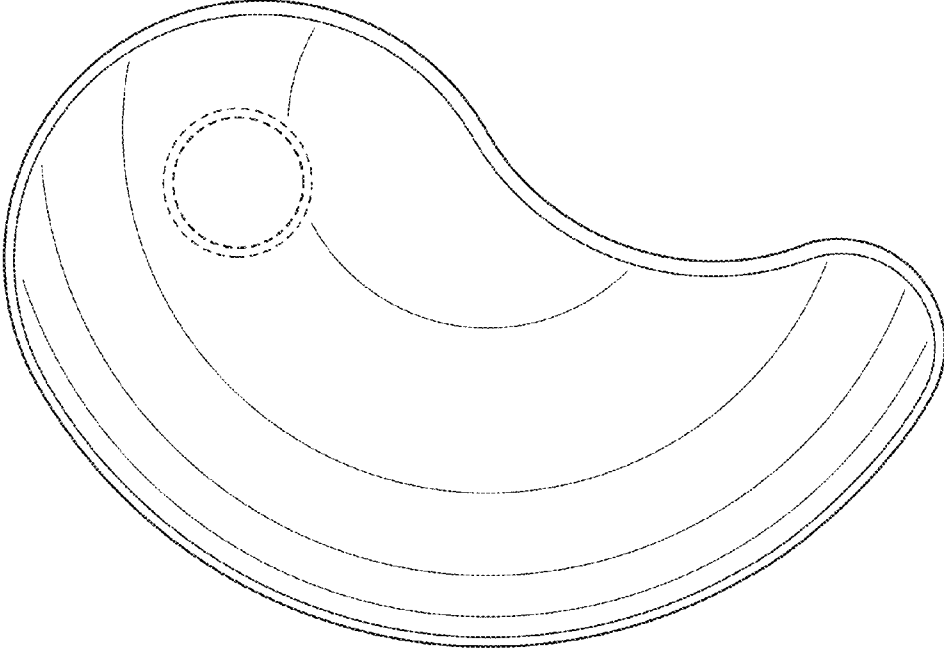


FIG. 6

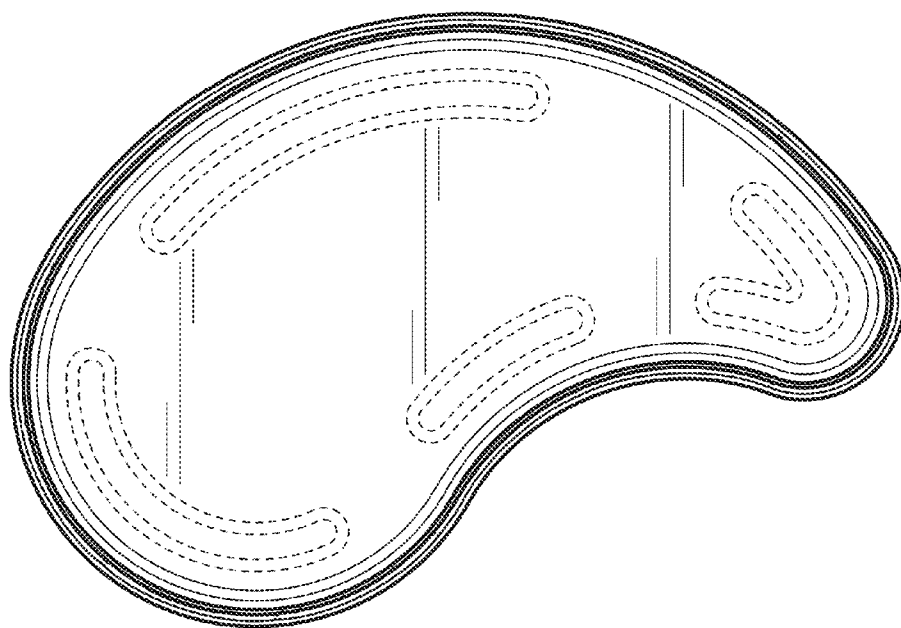


FIG. 7

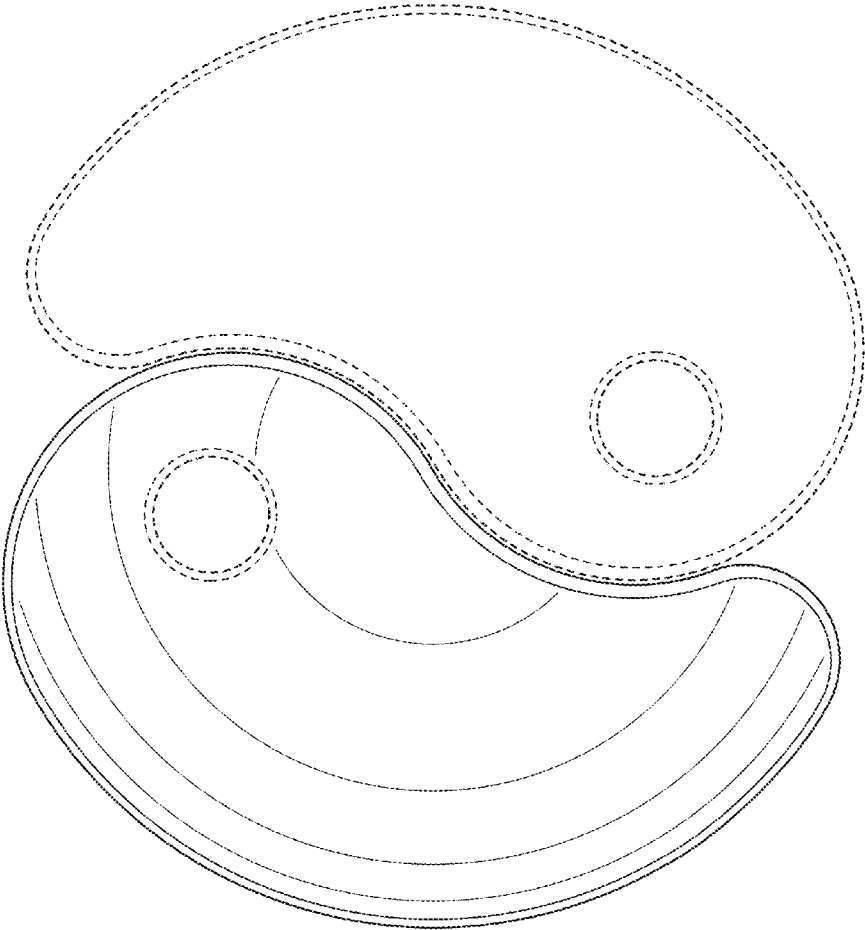


FIG. 8

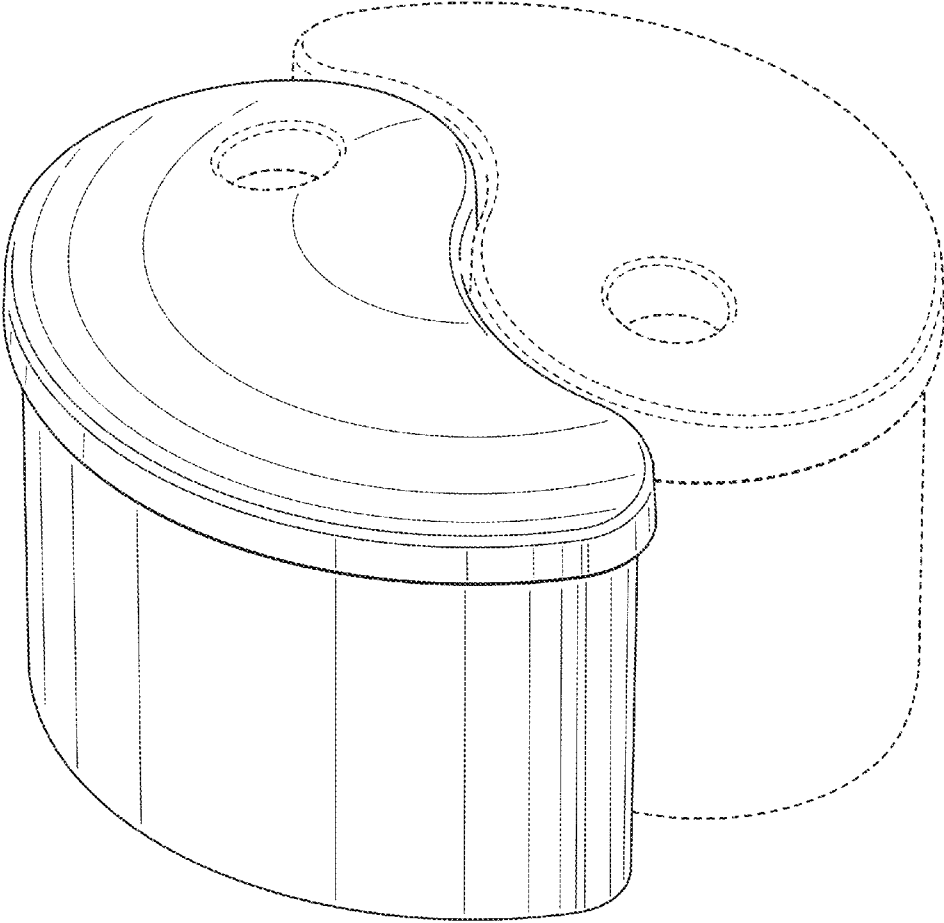


FIG. 9

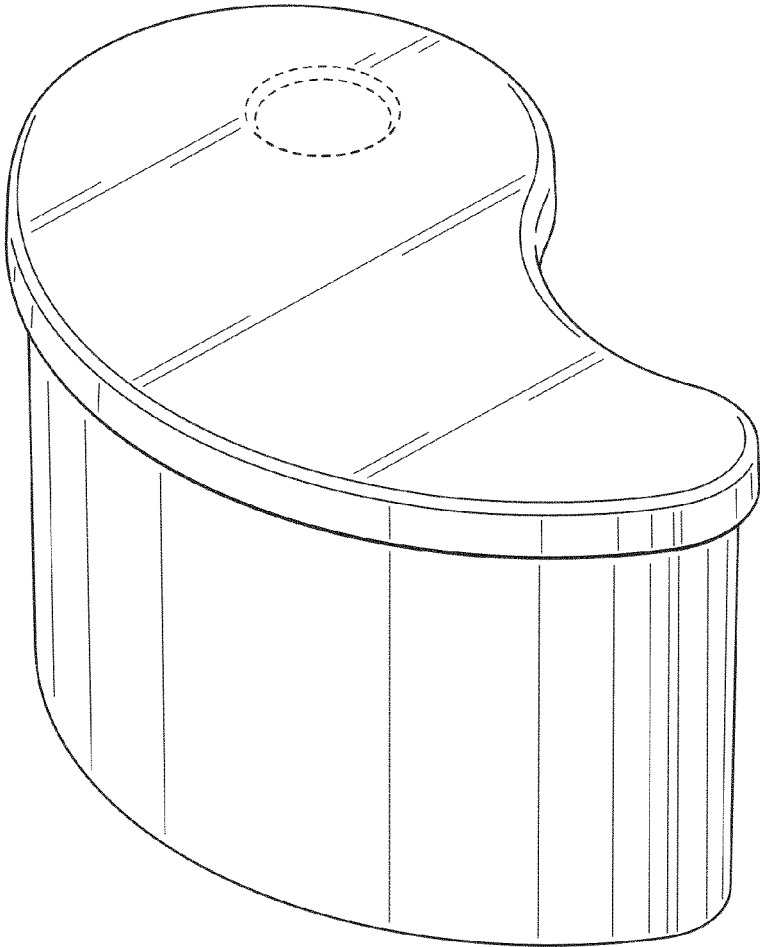


FIG. 10

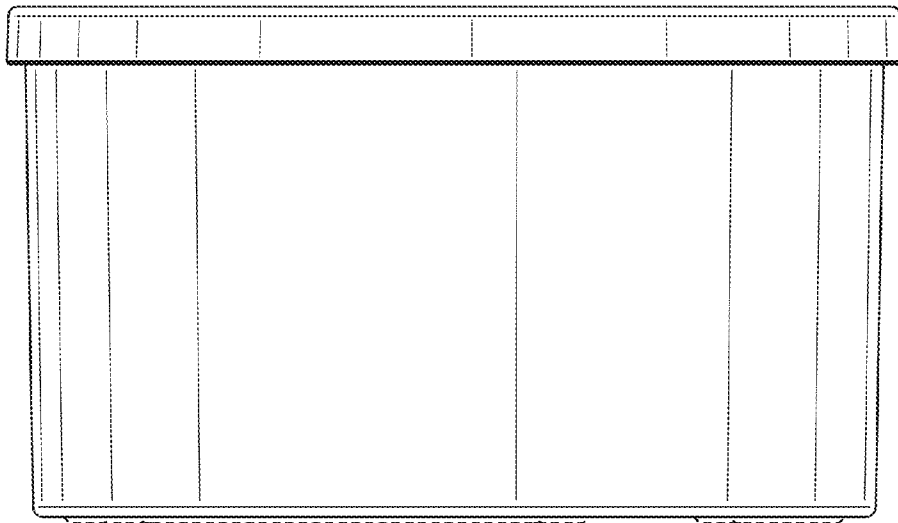


FIG. 11

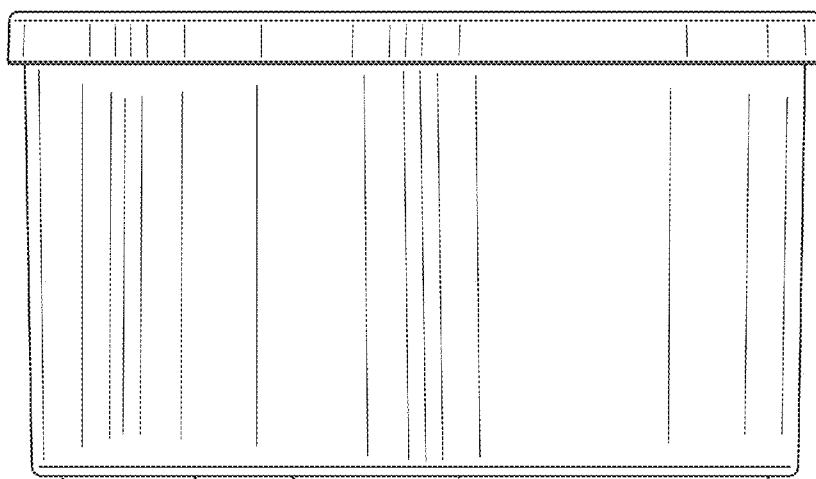


FIG. 12

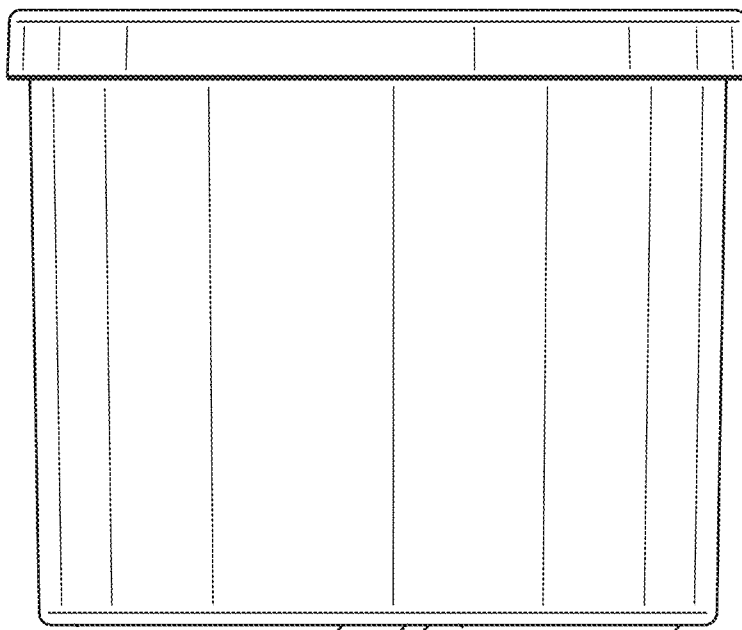


FIG. 13

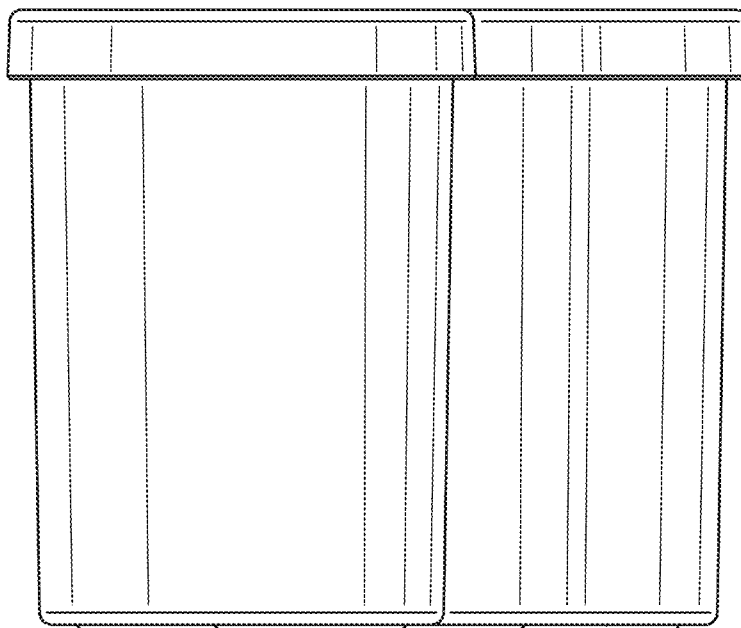


FIG. 14

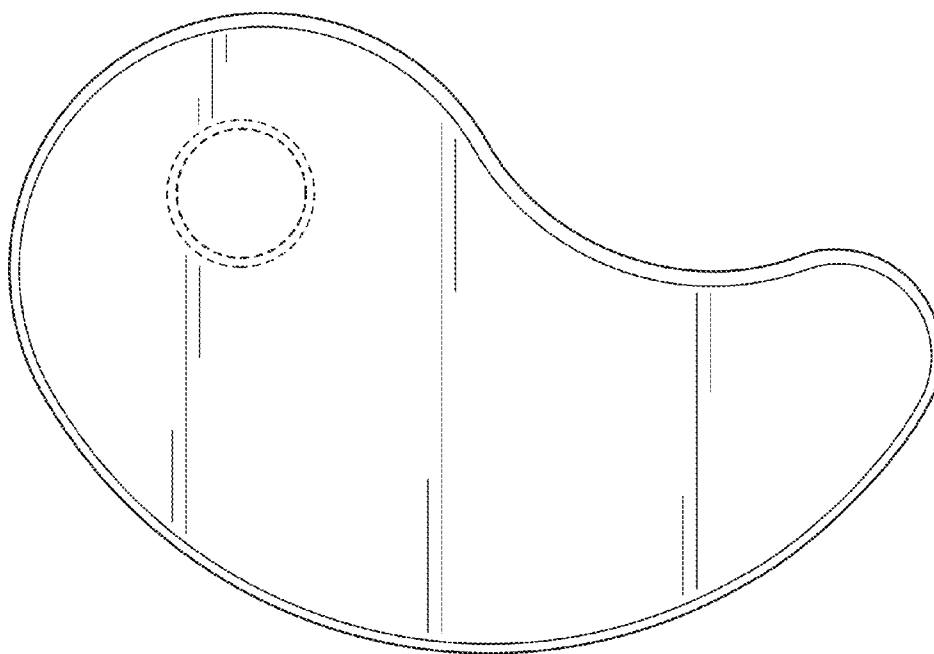


FIG. 15

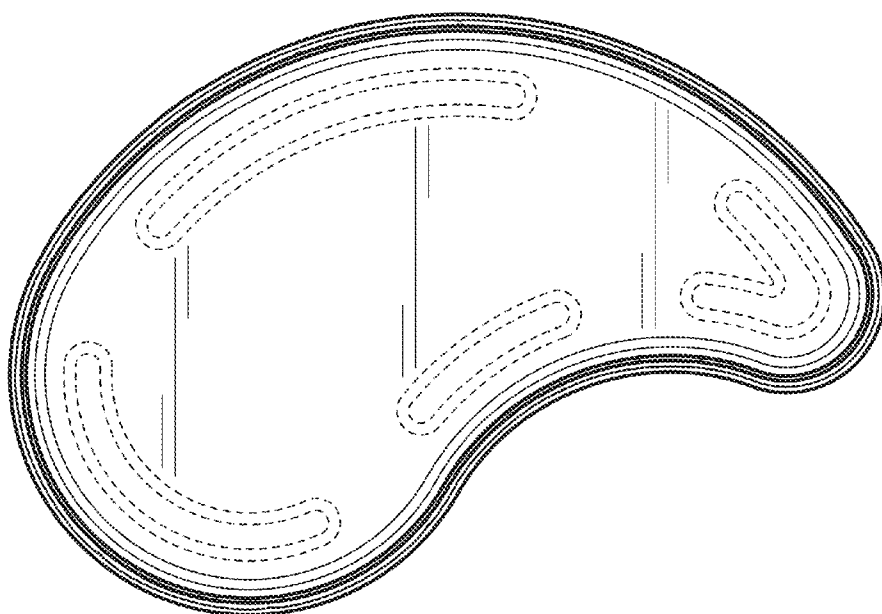


FIG. 16

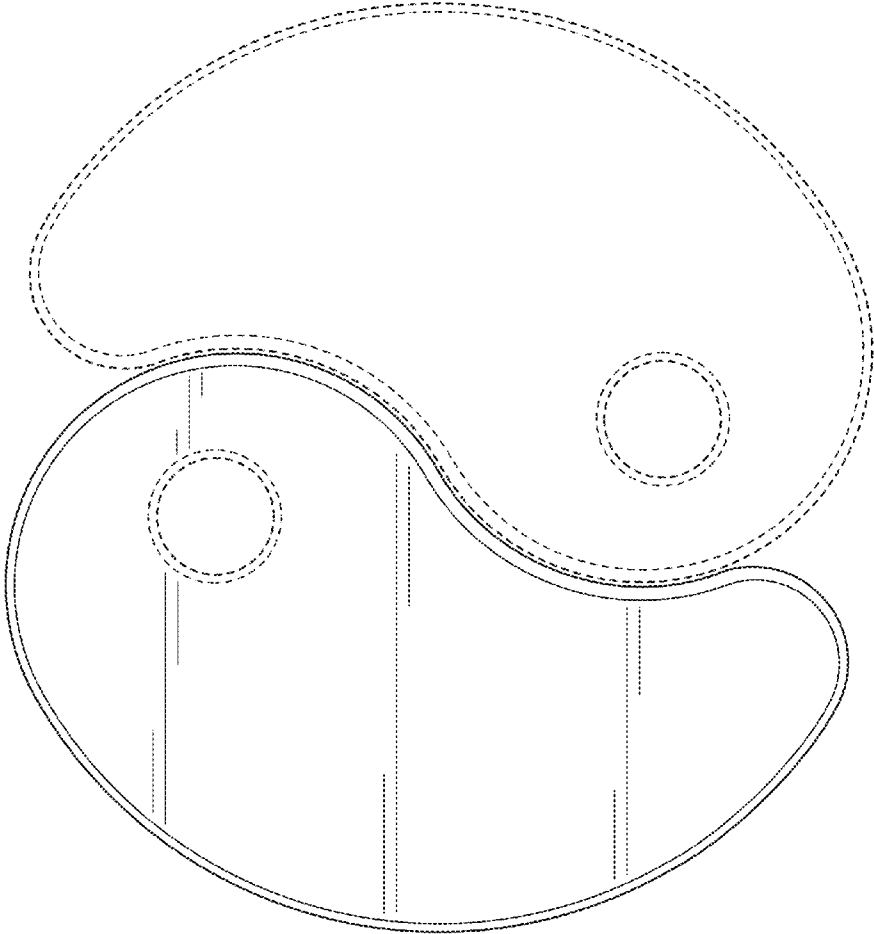


FIG. 17

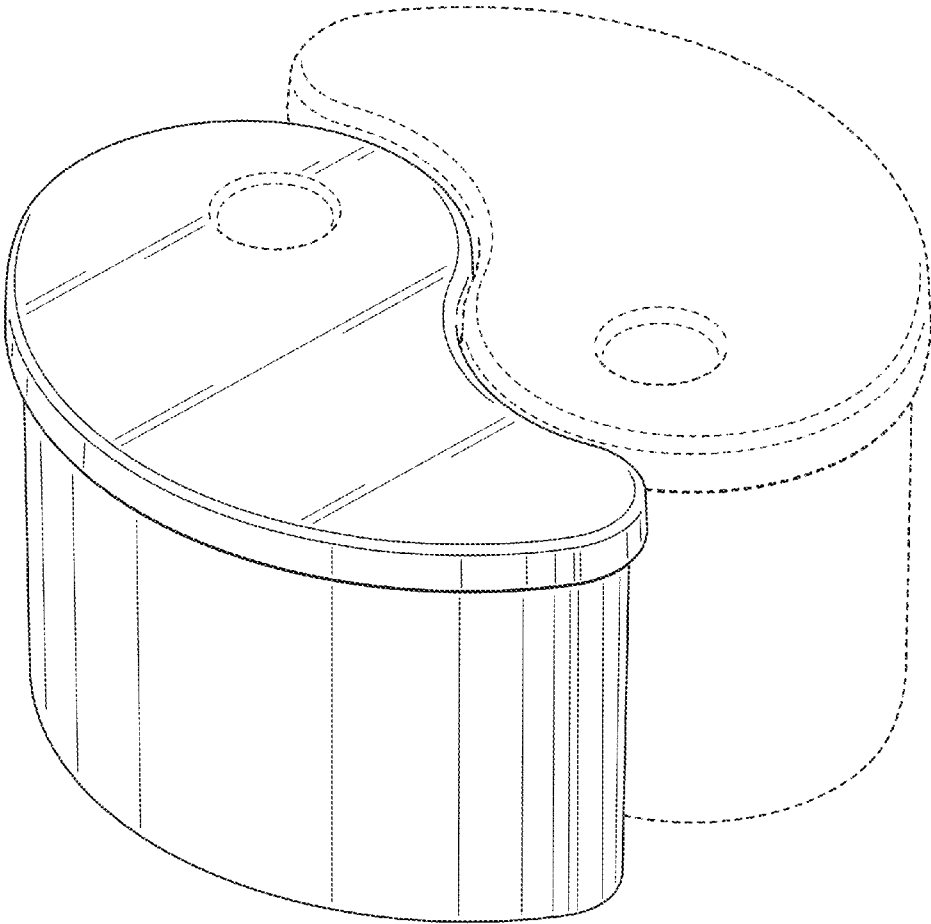


FIG. 18