



US00D842018S

(12) **United States Design Patent**
Su

(10) **Patent No.:** **US D842,018 S**

(45) **Date of Patent:** **** Mar. 5, 2019**

(54) **CHAIR BACKREST**

(71) Applicant: **Shu O Su**, Tainan (TW)

(72) Inventor: **Shu O Su**, Tainan (TW)

(**) Term: **15 Years**

(21) Appl. No.: **29/622,536**

(22) Filed: **Oct. 18, 2017**

(51) **LOC (11) Cl.** **06-01**

(52) **U.S. Cl.**
USPC **D6/716.4; D6/376; D6/380**

(58) **Field of Classification Search**
USPC D6/334-336, 366, 368, 374, 376, 379,
D6/380, 716, 716.1, 716.2, 716.4
CPC A47C 3/04; A47C 4/02; A47C 4/03; A47C
5/04; A47C 5/06; A47C 5/12; A47C 7/16
See application file for complete search history.

(56) **References Cited**

U.S. PATENT DOCUMENTS

6,196,632	B1 *	3/2001	De Lucchi	A47C 5/06 297/301.1
D513,134	S *	12/2005	Asano	D6/380
D546,085	S *	7/2007	Ritch	D6/366
D548,475	S *	8/2007	Ritch	D6/380
D586,577	S *	2/2009	Koh	D6/376
D592,876	S *	5/2009	Smith	D6/374
D600,052	S *	9/2009	Smith	D6/716.4
D600,936	S *	9/2009	Koh	D6/380
D605,421	S *	12/2009	Baldanzi	D6/368
7,775,600	B2 *	8/2010	Bathey	A47C 4/02 297/440.15

D668,883	S *	10/2012	Koh	D6/376
D680,770	S *	4/2013	Hori	D6/376
D686,832	S *	7/2013	Hori	D6/376
D703,459	S *	4/2014	Nakamura	D6/368
D758,088	S *	6/2016	Hurford	D6/376
D798,626	S *	10/2017	Cohen	D6/376
D801,742	S *	11/2017	Nakamura	D6/716.4
D821,794	S *	7/2018	Hurford	D6/716.4

* cited by examiner

Primary Examiner — Mimosa De

(74) *Attorney, Agent, or Firm* — Raymond Y. Chan;
David and Raymond Patent Firm

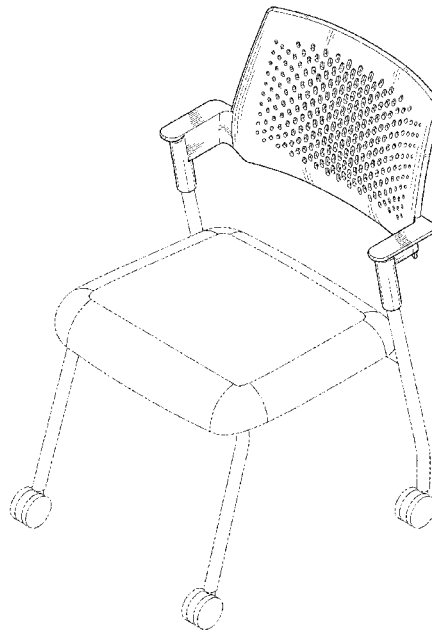
(57) **CLAIM**

The ornamental design for a chair backrest, as shown and described.

DESCRIPTION

FIG. 1 is a perspective view of chair backrest showing my new design;
FIG. 2 is a front view thereof;
FIG. 3 is a rear view thereof;
FIG. 4 is a left end view thereof;
FIG. 5 is a right end view thereof;
FIG. 6 is a top view thereof;
FIG. 7 is a bottom view thereof;
FIG. 8 is another perspective view thereof; and,
FIG. 9 is a perspective view of the chair backrest showing my new design connected to a support unit, wherein the broken lines in the drawing is for illustrative purpose only and shows the portion that forms no part of the design to be claimed.

1 Claim, 6 Drawing Sheets



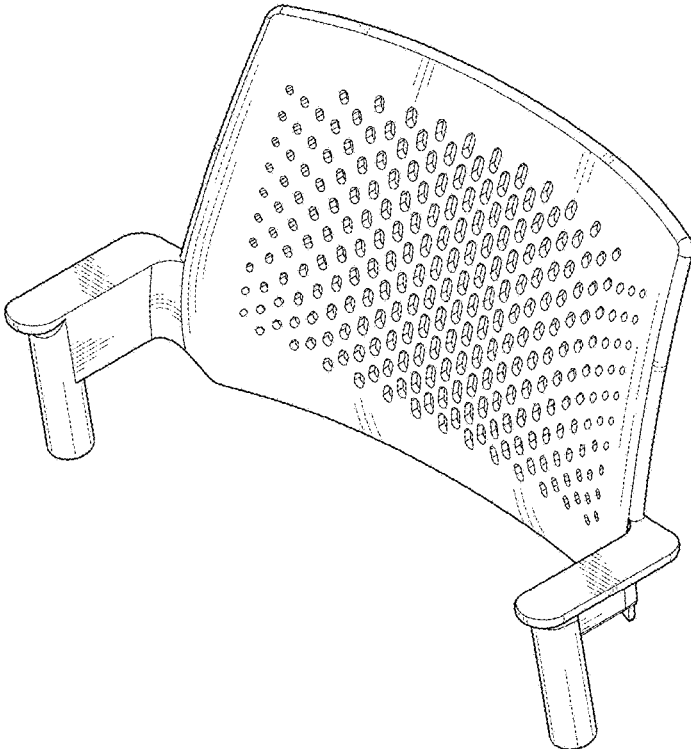


FIG. 1

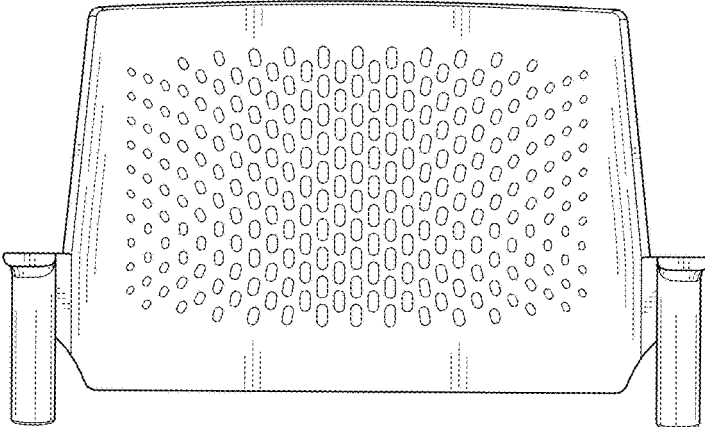


FIG. 2

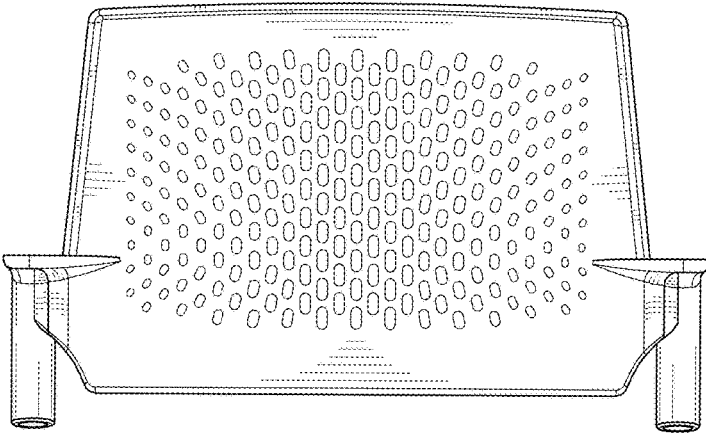


FIG. 3

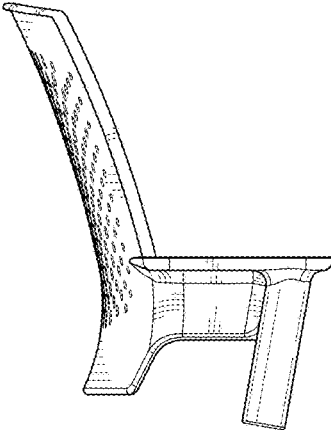


FIG. 4

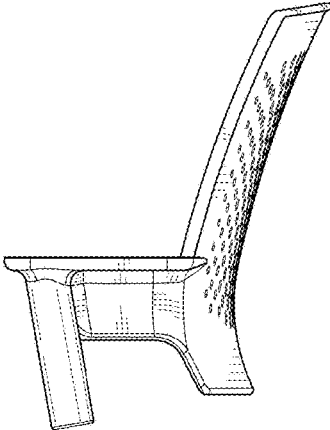


FIG. 5

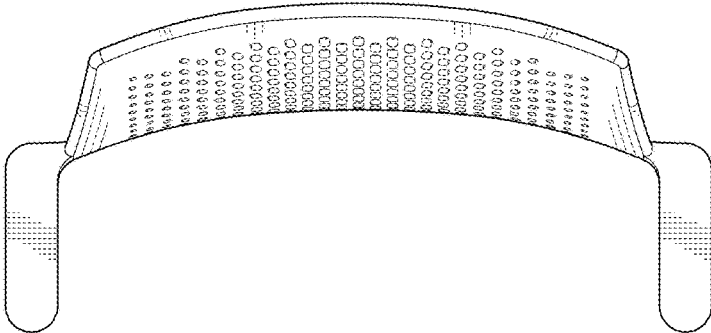


FIG. 6

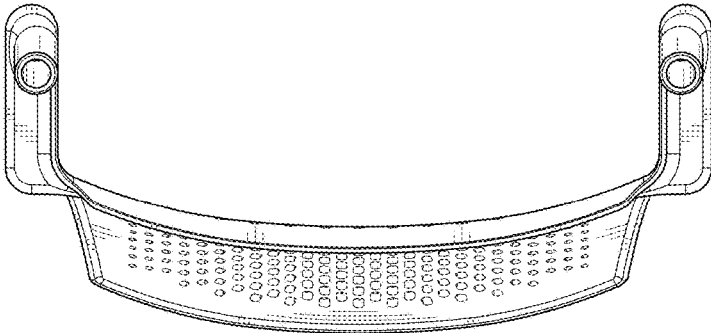


FIG. 7

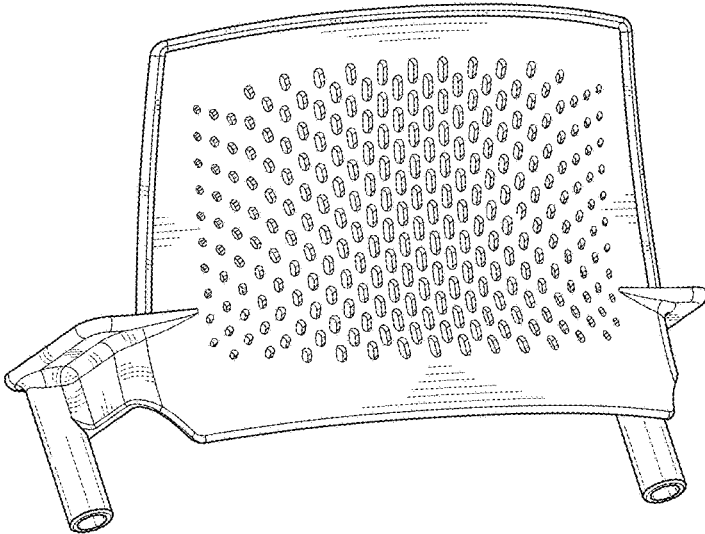


FIG. 8

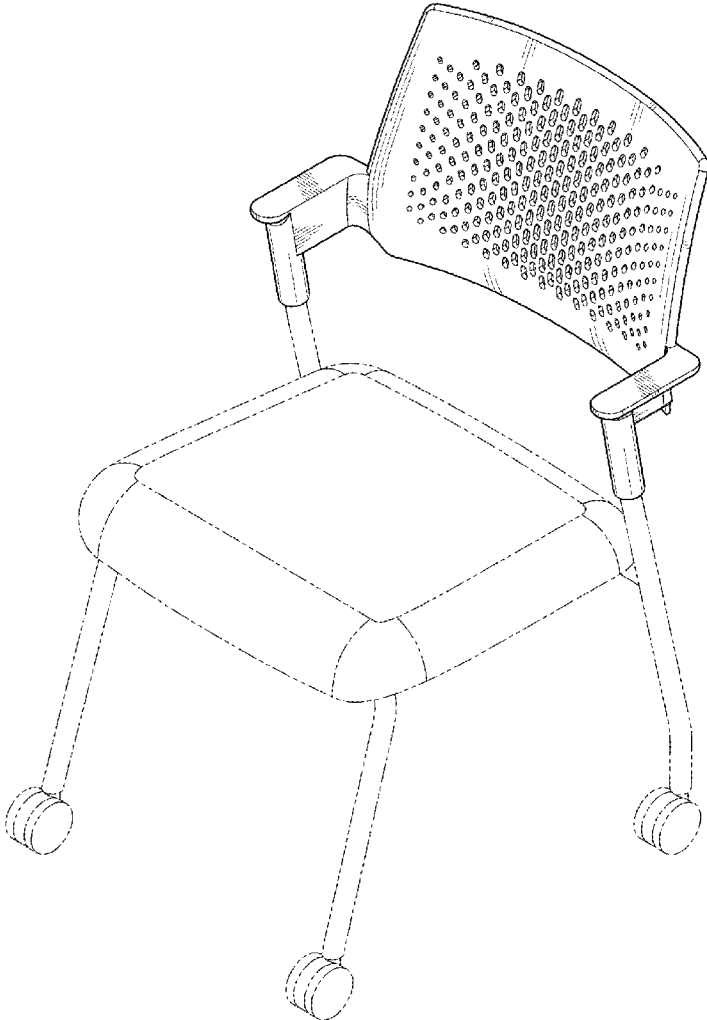


FIG. 9