



US00D834366S

(12) **United States Design Patent**
Ulanski et al.

(10) **Patent No.:** **US D834,366 S**

(45) **Date of Patent:** **** Nov. 27, 2018**

(54) **CONTAINER PLUG**

B65D 23/00; B65D 83/06; B65D 39/04;
B65D 43/00; B65D 59/02; B65D 59/06;
F25D

(71) Applicant: **VITA-MIX MANAGEMENT CORPORATION**, Olmsted Township, OH (US)

(Continued)

(72) Inventors: **Robert M. Ulanski**, Broadview Hts., OH (US); **Mark Miller**, Olmsted Township, OH (US); **Jack Warren Gee, II**, Willoughby, OH (US); **Phonesacksith Guy Kettavong**, Medina, OH (US)

(56) **References Cited**

U.S. PATENT DOCUMENTS

D120,464 S * 5/1940 Martin D9/434
D280,692 S * 9/1985 Sullivan D7/387
D328,033 S * 7/1992 DiGuisseppi D9/435

(Continued)

(73) Assignee: **VITA-MIX MANAGEMENT CORPORATION**, Olmsted Township, OH (US)

OTHER PUBLICATIONS

Vita-Mix 001159 Stainless Steel Container Lid Plug: Announced Dec. 11, 2012 [online]. Site Visited Jan. 16, 2018. Available from Internet URL: <https://www.amazon.com/Vita-Mix-001159-Stainless-Steel-Container/dp/B072FN15Y7>.*

(**) Term: **15 Years**

Primary Examiner — Jennifer Rivard

Assistant Examiner — Catherine S Posthauer

(21) Appl. No.: **29/557,029**

(74) *Attorney, Agent, or Firm* — McDonald Hopkins LLC

(22) Filed: **Mar. 4, 2016**

(51) **LOC (11) Cl.** **07-01**

(52) **U.S. Cl.** **D7/391**
USPC

(57) **CLAIM**

The ornamental design for a container plug, as shown and described.

(58) **Field of Classification Search**

DESCRIPTION

FIG. 1 is a perspective view of a container plug showing my new design;

FIG. 2 is a front side view thereof;

FIG. 3 is a back side view thereof;

FIG. 4 is a first side view thereof;

FIG. 5 is a second side view thereof;

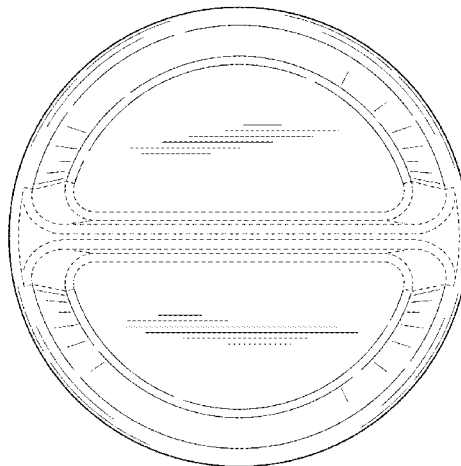
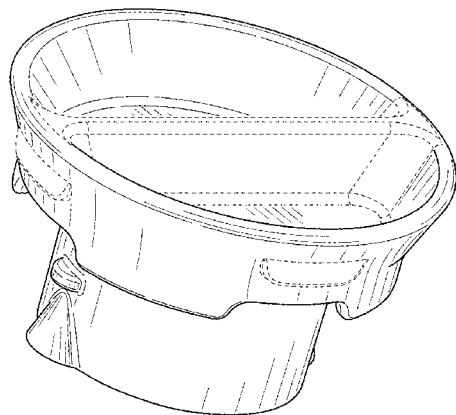
FIG. 6 is a top view thereof; and,

FIG. 7 is a bottom view thereof.

The evenly broken lines are shown for the purpose of illustrating parts of the article that form no part of the claim. The dot-dash lines represent the boundaries of the claim and form no part thereof.

USPC D3/272, 273, 274–276, 279, 282, 232, D3/302; D7/300, 306, 325, 376, 381, D7/387, 392, 360, 392.1, 391, 393, 396.1, D7/396.2, 396.3, 396, 507, 509–511, 538, D7/542, 546, 555, 558, 605, 608, 629, D7/665, 736, 738, 900, 397, 398, 413, D7/553.6; D9/421, 434–447, 449, 504, D9/780, 414, 424–432, 451–452, 454; D30/129; D12/197; D23/238, 259, 260, D23/261; 215/200, 211, 224, 243; 220/700, 701, 703, 711, 713–715, 719
CPC .. A47J 41/00; A47J 36/06; A47J 36/10; A47J 27/04; A47J 45/062; A47J 37/1209; A47J 36/36; A47G 21/18; A47G 18/22; A47G 18/23; A47G 19/22; A47G 19/23; B65D 43/04; B65D 39/08; B65D 43/022; B65D 43/021; B65D 45/20; B65D 50/041;

1 Claim, 4 Drawing Sheets



(58) **Field of Classification Search**
 CPC 3/08; H05K 5/0239; A01K 5/0142; A01K
 7/005

See application file for complete search history.

(56) **References Cited**

U.S. PATENT DOCUMENTS

D328,252 S * 7/1992 Miyake D24/224
 D328,567 S * 8/1992 Berry D9/439
 D359,683 S * 6/1995 Beach D9/434
 D403,203 S * 12/1998 Ruck D7/391
 5,845,797 A * 12/1998 Sudo B65D 39/00
 D419,370 S * 1/2000 Busick D7/392
 D444,034 S * 6/2001 Miller D7/546
 D458,419 S * 6/2002 Ross D30/129
 6,536,618 B1 * 3/2003 Hwang B65D 39/04
 215/358
 D476,568 S * 7/2003 Mechtold D24/120
 D480,915 S * 10/2003 Kolar et al.
 D499,304 S * 12/2004 Wiedmeyer D7/396.1
 D504,197 S * 4/2005 Huthmaker D30/129
 D513,984 S * 1/2006 Erdie D9/439
 D526,852 S * 8/2006 Littlejohn D7/553.6
 D527,219 S * 8/2006 Trombly D7/392.1
 D527,575 S * 9/2006 Ulanski D7/392
 D551,075 S * 9/2007 Puller D9/447
 D551,550 S * 9/2007 Noonan D9/454
 D567,584 S * 4/2008 Boozer D7/413
 D580,756 S * 11/2008 Seebold D9/439
 D581,211 S * 11/2008 Lapsker D7/396.2
 D587,526 S * 3/2009 Barnard et al.
 D588,406 S * 3/2009 Ulanski et al.
 D588,870 S * 3/2009 Rasmussen D7/397
 D594,395 S * 6/2009 Yoshii D12/197
 D595,570 S * 7/2009 Moretti D9/434
 D603,106 S * 10/2009 Ragonetti D30/130
 D618,511 S * 6/2010 Lugacy D7/546
 D621,656 S * 8/2010 Ulanski et al.
 D634,157 S * 3/2011 Hoff D7/393
 D643,720 S * 8/2011 Maeda D9/439
 D644,104 S * 8/2011 Maeda D9/439
 D656,820 S * 4/2012 Willows D9/447
 D659,296 S * 5/2012 Anderson D30/129

D660,693 S * 5/2012 Berggren D9/421
 D662,359 S * 6/2012 Boozer et al.
 D676,706 S * 2/2013 Kern D7/392
 D678,727 S * 3/2013 Kolar et al.
 D682,690 S * 5/2013 Bowes D9/439
 8,529,120 B2 * 9/2013 Ulanski et al.
 D693,179 S * 11/2013 Vujea D7/555
 D707,079 S * 6/2014 Blaise D7/376
 8,814,011 B2 * 8/2014 Ulanski et al.
 D713,247 S * 9/2014 Webster D9/438
 D715,146 S * 10/2014 Holmes D9/447
 D716,656 S * 11/2014 Carregui D9/440
 D731,312 S * 6/2015 Shimizu D9/439
 D753,489 S * 4/2016 Shaw D9/454
 D753,957 S * 4/2016 Yamaguchi D7/412
 D754,542 S * 4/2016 Shaw D9/454
 D757,373 S * 5/2016 Breit D30/129
 D766,717 S * 9/2016 Sheikh D24/207
 D770,227 S * 11/2016 Crawford D7/412
 D774,849 S * 12/2016 Yap D7/665
 9,578,765 B2 * 2/2017 Jackson H05K 5/0239
 D789,798 S * 6/2017 Haddad D9/429
 D790,292 S * 6/2017 Keating D7/381
 D793,153 S * 8/2017 Tu D7/376
 D795,705 S * 8/2017 Huang D9/738
 D803,047 S * 11/2017 Ploeger D9/435
 D803,049 S * 11/2017 Ploeger D9/435
 D805,899 S * 12/2017 Marantis D9/439
 2004/0244703 A1 * 12/2004 Lehman A01K 5/0142
 119/61.53
 2006/0108382 A1 * 5/2006 Migliore B65D 47/0847
 222/482
 2006/0261066 A1 * 11/2006 Boozer A47J 36/10
 220/254.7
 2007/0199512 A1 * 8/2007 Ellis A01K 7/005
 119/61.54
 2009/0084752 A1 * 4/2009 Coulson B65D 47/242
 215/311
 2011/0198352 A1 * 8/2011 Lown A47G 19/12
 220/254.8
 2015/0265983 A1 * 9/2015 Fleming et al.
 2016/0185489 A1 * 6/2016 Garcia B65D 47/0842
 215/227

* cited by examiner

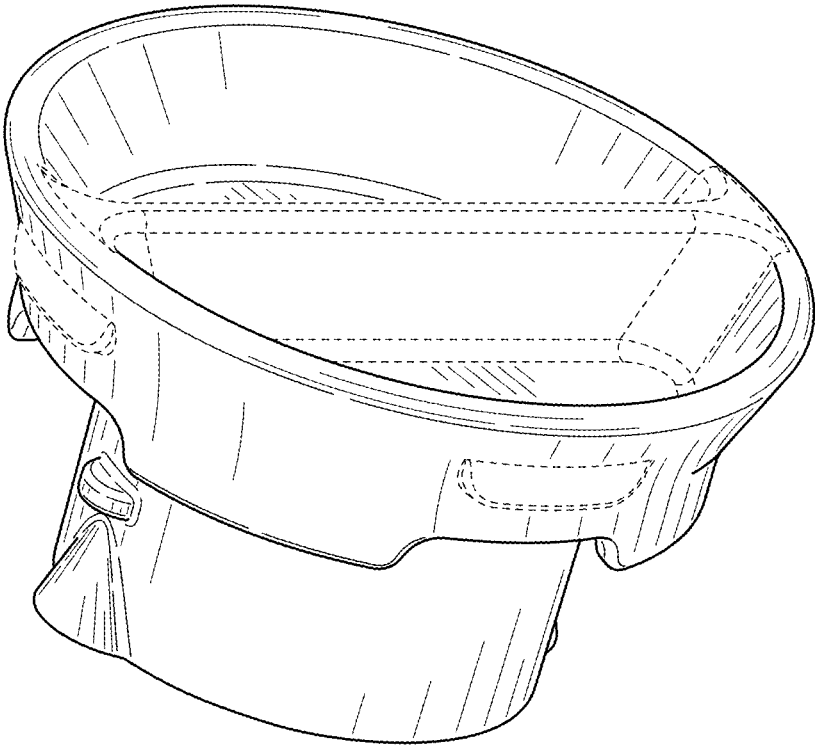


FIG. 1

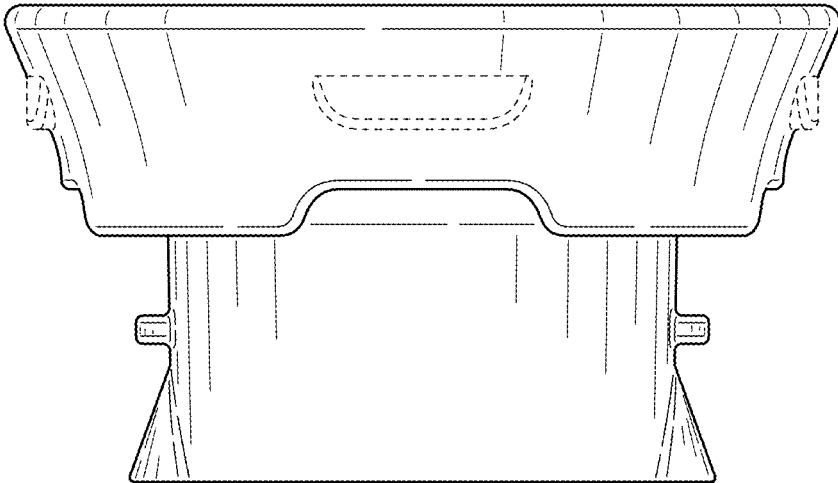


FIG. 2

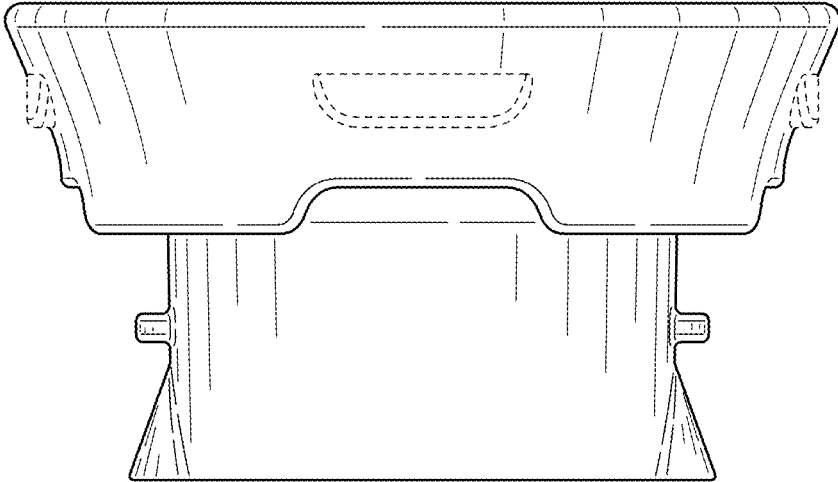


FIG. 3

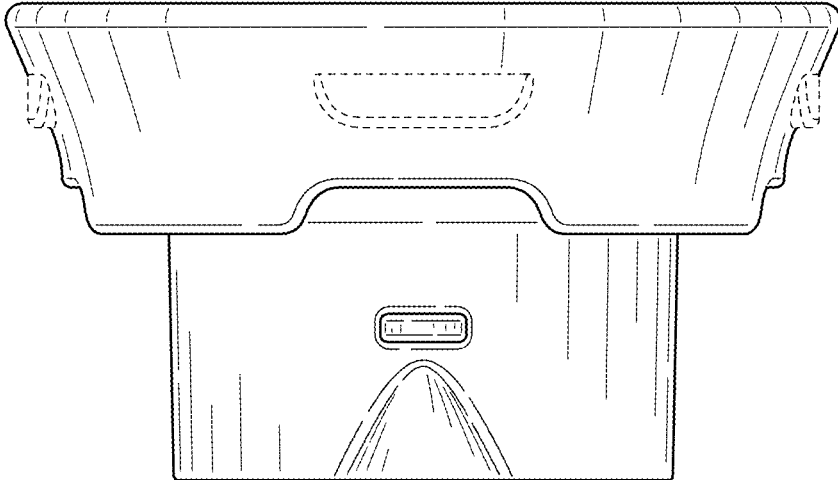


FIG. 4

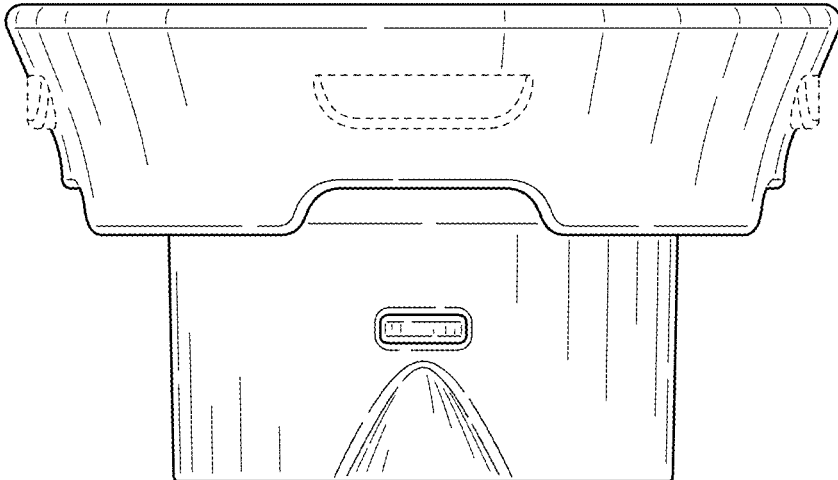


FIG. 5

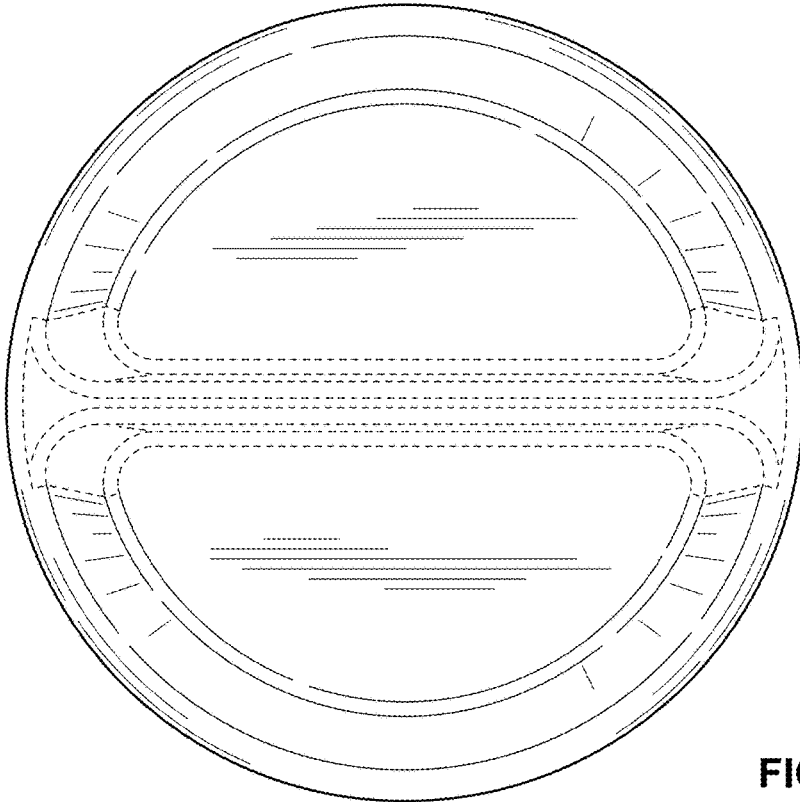


FIG. 6

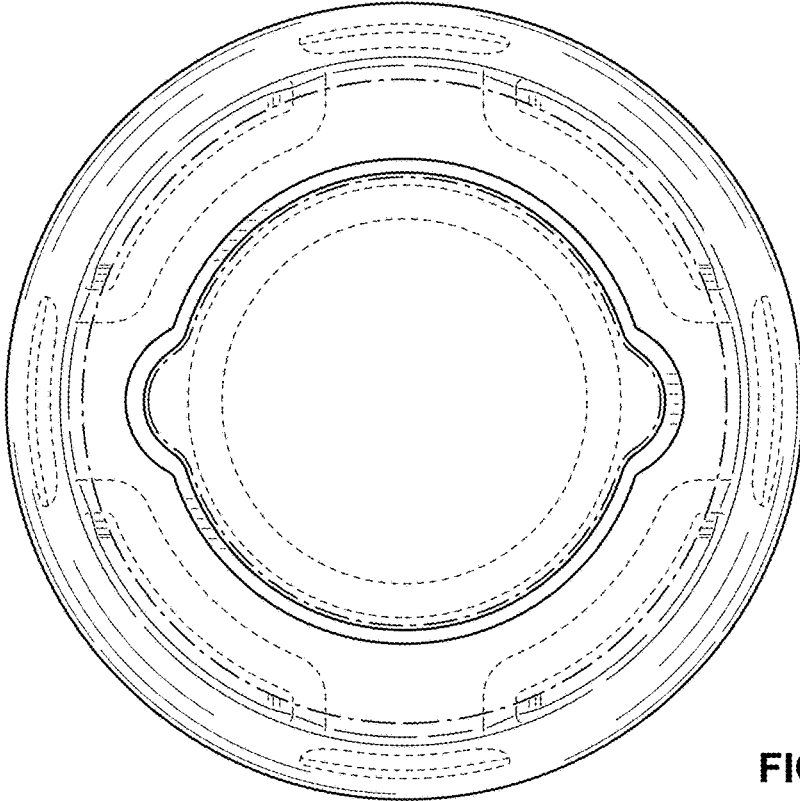


FIG. 7