

(19) World Intellectual Property Organization
International Bureau



(43) International Publication Date
30 May 2003 (30.05.2003)

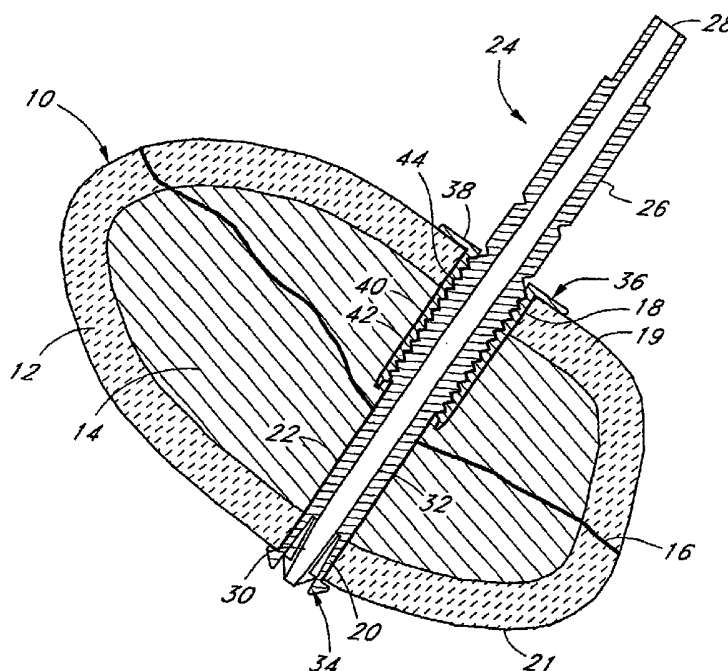
PCT

(10) International Publication Number
WO 03/043488 A3

- (51) International Patent Classification⁷: A61B 17/86
- (21) International Application Number: PCT/US02/37102
- (22) International Filing Date:
18 November 2002 (18.11.2002)
- (25) Filing Language: English
- (26) Publication Language: English
- (30) Priority Data:
09/990,587 19 November 2001 (19.11.2001) US
- (71) Applicant: TRIAGE MEDICAL, INC. [US/US]; Suite 167, 13700 Alton Parkway, Irvine, CA 92618 (US).
- (72) Inventors: PADGET, Marty; Apt. 12, 301 Avocado St., Costa Mesa, CA 92627 (US). CULBERT, Brad; 18 Ballantree, Rancho Santa Margarita, CA 92688 (US). VON HOFFMANN, Gerard; 3 Via Presea, Coto De Caza, CA 92679 (US). CACHIA, Victor, V.; 28334 Paseo Michele, San Juan Capistrano, CA 92675 (US).
- (74) Agent: ALTMAN, Daniel, E.; Knobbe, Martens, Olson and Bear, LLP, Fourteenth Floor, 2040 Main Street, Irvine, CA 92614 (US).
- (81) Designated States (*national*): AE, AG, AL, AM, AT (utility model), AT, AU, AZ, BA, BB, BG, BR, BY, BZ, CA, CH, CN, CO, CR, CU, CZ (utility model), CZ, DE (utility model), DE, DK (utility model), DK, DM, DZ, EC, EE (utility model), EE, ES, FI (utility model), FI, GB, GD, GE, GH, GM, HR, HU, ID, IL, IN, IS, JP, KE, KG, KP, KR, KZ, LC, LK, LR, LS, LT, LU, LV, MA, MD, MG, MK, MN, MW, MX, MZ, NO, NZ, OM, PH, PL, PT, RO, RU, SC, SD, SE, SG, SI, SK (utility model), SK, SL, TJ, TM, TN, TR, TT, TZ, UA, UG, UZ, VC, VN, YU, ZA, ZM, ZW.
- (84) Designated States (*regional*): ARIPO patent (GH, GM, KE, LS, MW, MZ, SD, SL, SZ, TZ, UG, ZM, ZW), Eurasian patent (AM, AZ, BY, KG, KZ, MD, RU, TJ, TM), European patent (AT, BE, BG, CH, CY, CZ, DE, DK, EE, ES, FI, FR, GB, GR, IE, IT, LU, MC, NL, PT, SE, SK, TR), OAPI patent (BF, BJ, CF, CG, CI, CM, GA, GN, GQ, GW, ML, MR, NE, SN, TD, TG).

[Continued on next page]

(54) Title: PROXIMAL ANCHORS FOR BONE FIXATION SYSTEM



(57) Abstract: Disclosed is a bone fixation device of the type useful for connecting soft tissue or tendon to bone or for connecting two or more bones or bone fragments together. The device comprises an elongate body (26) having a distal anchor (34) thereon. An axially moveable proximal anchor (36) is carried by the proximal end (28) of the fixation device (24), to accommodate different bone dimensions and permit appropriate tensioning of the fixation device (24).



WO 03/043488 A3



Published:

- *with international search report*
- *before the expiration of the time limit for amending the claims and to be republished in the event of receipt of amendments*

For two-letter codes and other abbreviations, refer to the "Guidance Notes on Codes and Abbreviations" appearing at the beginning of each regular issue of the PCT Gazette.

(88) Date of publication of the international search report:

31 July 2003

INTERNATIONAL SEARCH REPORT

International application No.

PCT/US02/37102

A. CLASSIFICATION OF SUBJECT MATTER

IPC(7) : A61B 17/86
US CL : 606/72

According to International Patent Classification (IPC) or to both national classification and IPC

B. FIELDS SEARCHED

Minimum documentation searched (classification system followed by classification symbols)
U.S. : 606/60, 65-68, 72, 73; 411/508, 509, 511, 517

Documentation searched other than minimum documentation to the extent that such documents are included in the fields searched

Electronic data base consulted during the international search (name of data base and, where practicable, search terms used)
Please See Continuation Sheet

C. DOCUMENTS CONSIDERED TO BE RELEVANT

Category *	Citation of document, with indication, where appropriate, of the relevant passages	Relevant to claim No.
X ---	US 5,893,850 A (Cachia) 13 April 1999 (13.04.1999), fig 1.	1-3, 12, 13, 16 & 17
Y		15 & 18
Y, T, E	US 6,527,774 B2 (Lieberman) 04 March 2003 (04.03.2003), Figs. 34-37.	15 & 18
X, P	US2002/0143335 A1 (Hoffmann et al.) 03 October 2002 (03.10.2002), Fig. 3.	1-3, 12, 13, 16 & 17
A	US 3,115,804 A (Johnson) 31 December 1963 (31.12.1963), Figs. 3 & 7.	1-18

Further documents are listed in the continuation of Box C.

See patent family annex.

* Special categories of cited documents:	"T"	later document published after the international filing date or priority date and not in conflict with the application but cited to understand the principle or theory underlying the invention
"A" document defining the general state of the art which is not considered to be of particular relevance	"X"	document of particular relevance; the claimed invention cannot be considered novel or cannot be considered to involve an inventive step when the document is taken alone
"E" earlier application or patent published on or after the international filing date	"Y"	document of particular relevance; the claimed invention cannot be considered to involve an inventive step when the document is combined with one or more other such documents, such combination being obvious to a person skilled in the art
"L" document which may throw doubts on priority claim(s) or which is cited to establish the publication date of another citation or other special reason (as specified)	"&"	document member of the same patent family
"O" document referring to an oral disclosure, use, exhibition or other means		
"P" document published prior to the international filing date but later than the priority date claimed		

Date of the actual completion of the international search

27 March 2003 (27.03.2003)

Date of mailing of the international search report

23 MAY 2003

Name and mailing address of the ISA/US

Commissioner of Patents and Trademarks
Box PCT
Washington, D.C. 20231

Facsimile No. (703)305-3230

Authorized officer

Kevin Shaver *Diane Smith*

Telephone No. (703) 308-1148

INTERNATIONAL SEARCH REPORT

PCT/US02/37102

Continuation of B. FIELDS SEARCHED Item 3:

EAST

terms: (bone SAME (fix OR fixing OR fixation)) AND (helical WITH anchor); (bone SAME (fix OR fixing OR fixation)) AND leg WITH (resilient OR retain OR retaining OR retention))