



US00D961995S

(12) **United States Design Patent**
Saadeh

(10) **Patent No.:** **US D961,995 S**

(45) **Date of Patent:** **** Aug. 30, 2022**

- (54) **CONTAINER WITH LID**
- (71) Applicant: **GOURMET HOME PRODUCTS, LLC**, New York City, NY (US)
- (72) Inventor: **Jack Saadeh**, New York City, NY (US)
- (73) Assignee: **GOURMET HOME PRODUCTS, LLC**, New York City, NY (US)
- (**) Term: **15 Years**
- (21) Appl. No.: **29/731,497**
- (22) Filed: **Apr. 15, 2020**
- (51) **LOC (13) CI.** **07-01**
- (52) **U.S. CI.**
USPC **D7/510; D7/511**
- (58) **Field of Classification Search**
USPC D7/507, 509, 510, 511, 529, 531, 532, D7/523, 533, 534, 535, 536, 392.1, 396.1, D7/396.2, 300.1, 608; D3/202; D9/500, D9/531, 516, 517, 549; D26/9
CPC A47G 19/22; A47G 19/2288; A47G 19/2205; A47J 41/0077; A47J 41/0088
See application file for complete search history.

- D866,255 S * 11/2019 Meyers D7/413
 - D878,147 S * 3/2020 Berresheim D7/392.1
 - D886,527 S * 6/2020 Huang D7/511
 - D897,149 S * 9/2020 Sorensen D7/392.1
 - D900,540 S * 11/2020 Sorensen D7/392.1
- (Continued)

FOREIGN PATENT DOCUMENTS

- CN 305712631 * 4/2020
- CN 306159233 * 11/2020
- KR 300952945.0000 * 4/2018

OTHER PUBLICATIONS

BlenderBottle [online] URL: <https://www.amazon.com/BlenderBottle-Classic-Shaker-Bottle-28-Ounce/dp/B00MVMCUK8/> (site visited: Aug. 2021) (Year: 2014).*

(Continued)

Primary Examiner — Jae Liang
Assistant Examiner — Tia Ruth-Renee Polidori
(74) *Attorney, Agent, or Firm* — Dorsey & Whitney LLP

(57) **CLAIM**

The ornamental design for a container with lid, as shown and described.

(56) **References Cited**

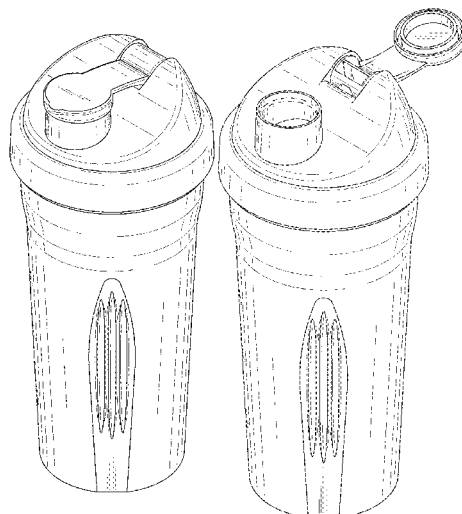
U.S. PATENT DOCUMENTS

- 3,820,692 A * 6/1974 Swett et al. B65D 47/0895
222/547
- D510,235 S * 10/2005 Sorensen D7/510
- D608,589 S * 1/2010 Ingman D7/509
- D644,065 S * 8/2011 Llerena D7/510
- D646,919 S * 10/2011 Nilsson B65D 47/148
D7/300.1
- D739,674 S * 9/2015 Bergstrom D7/300.1
- D751,344 S * 3/2016 Charlton D7/510
- D771,990 S * 11/2016 Horowitz D7/300.1
- D798,668 S * 10/2017 Steel D7/531
- D805,827 S * 12/2017 Toth D7/300.1
- D815,894 S * 4/2018 Ayers D7/396.4
- D830,119 S * 10/2018 Sorensen D7/392.1
- D859,919 S * 9/2019 Gronkowski D7/510

DESCRIPTION

FIG. 1 is an isometric view of a container with lid showing my new design.
FIG. 2 is a front elevation view thereof;
FIG. 3 is a rear elevation view thereof;
FIG. 4 is a left side elevation view thereof;
FIG. 5 is a right side elevation view thereof;
FIG. 6 is a top plan view thereof;
FIG. 7 is a bottom plan view thereof; and,
FIG. 8 is another isometric view thereof shown in an open configuration for clarity of disclosure.
The broken lines in the drawings illustrate portions of the container with lid that form no part of the claimed design.

1 Claim, 7 Drawing Sheets



(56)

References Cited

U.S. PATENT DOCUMENTS

D913,034 S * 3/2021 Cornelius D7/392.1
 10,994,901 B2 * 5/2021 Cornelius B65D 47/143
 D931,041 S * 9/2021 Losito D7/392.1
 D931,053 S * 9/2021 Sonnichsen D7/531
 2011/0220674 A1 * 9/2011 Honeyghan B65D 47/0895
 220/849
 2014/0360908 A1 * 12/2014 Sorensen B65D 51/28
 206/501
 2015/0329255 A1 * 11/2015 Rzepecki B65D 47/0885
 222/189.06

OTHER PUBLICATIONS

Smart_Shake_Slim_-_GUNSMOKE_BLACK_1_Bottle_by_SmartShake_at_the_Vitamin_Shoppe [online] URL: <https://www.vitaminshoppe.com/p/smart-shake-slim-gunsmoke-black-1-bottle/ssg1015> (site visited: Aug. 2021) (Year: 2017).*

Blender_Shaker_Bottle [online] URL: <https://www.amazon.com/Shaker-Bottle-Stainless-Ball-Protein-Measurement/dp/B0947K3YYZ/> (site visited: Aug. 2021) (Year: 2021).*

Decacy_Classic_Shaker_Bottle [online] URL: <https://www.amazon.com/Decacy-Classic-Protein-Leakproof-Stirring/dp/B07XDRT6QV/> (site visited: Aug. 2021) (Year: 2021).*

Original2Go_ONE_Deep_Rose_-_Smartshake [online] URL: <https://smartshake.com/collections/original-shakers/products/original2go-one-deep-rose> (site visited: Aug. 2021) (Year: 2020).*

Shaker_bottle_20oz_Five_Below_let_go_have_fun [online] URL: <https://www.fivebelow.com/products/shaker-bottle-20oz> (site visited: Aug. 2021) (Year: 2020).*

Athletic Works [online] URL: <https://www.walmart.com/ip/Athletic-Works-24oz-Protein-Drink-Shaker-Bottle-in-Gray-Color/920704946> (site visited: Apr. 13, 2022) (Year: 2020).*

* cited by examiner

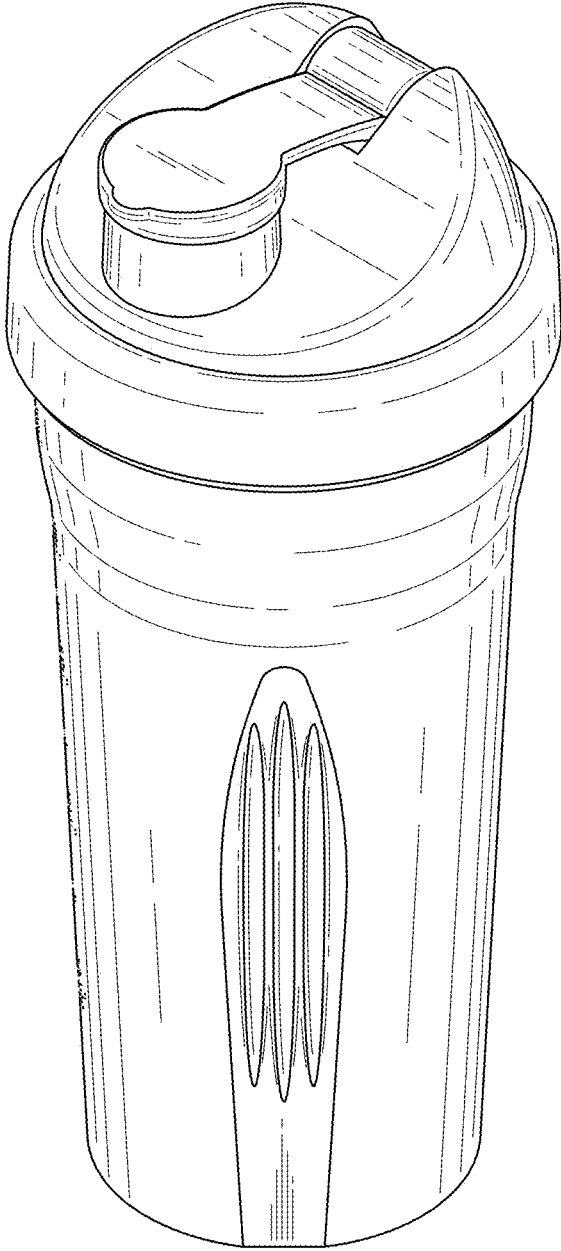


FIG. 1

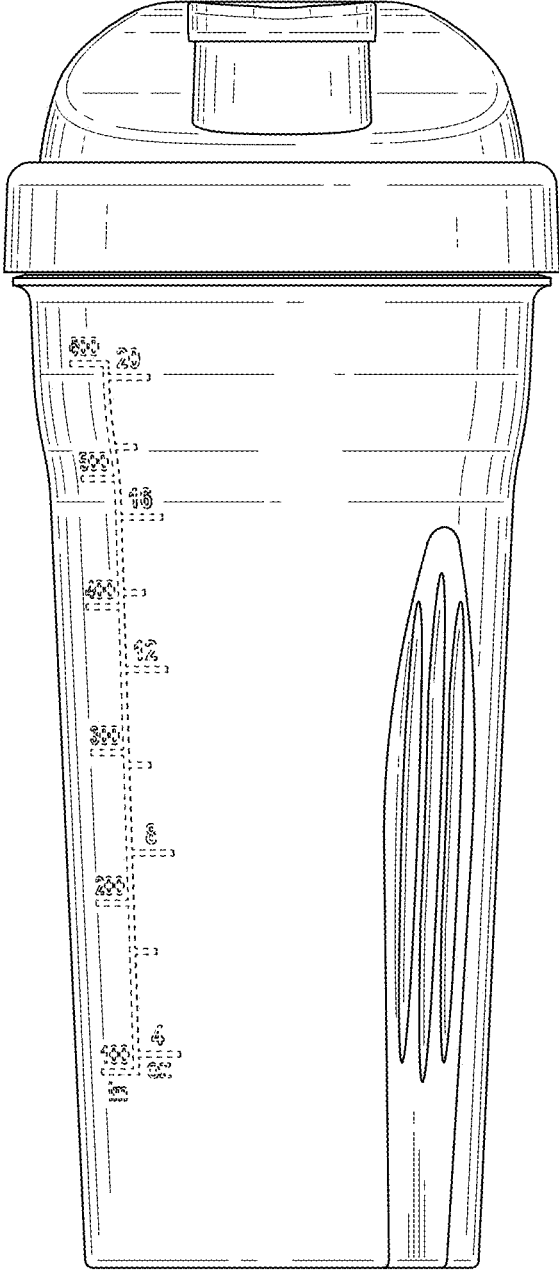


FIG. 2

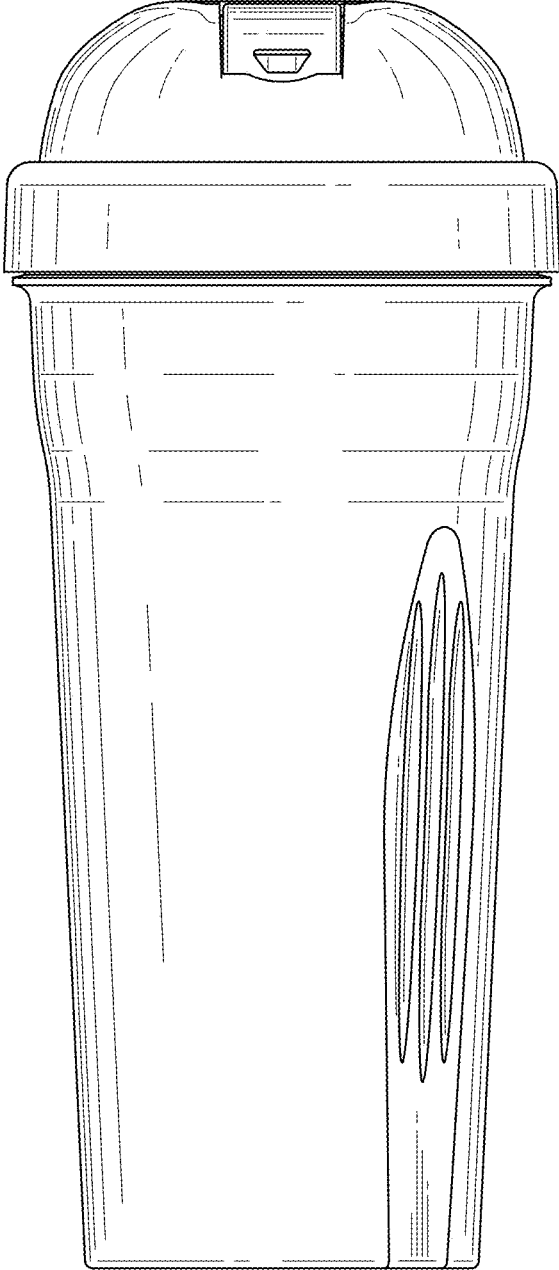


FIG. 3

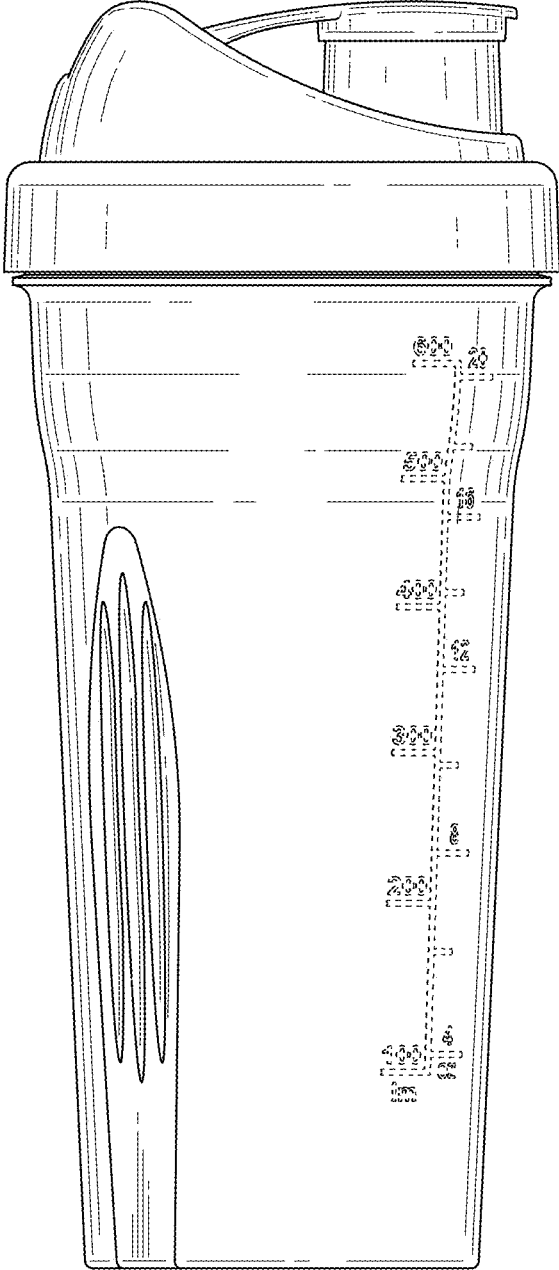


FIG. 4

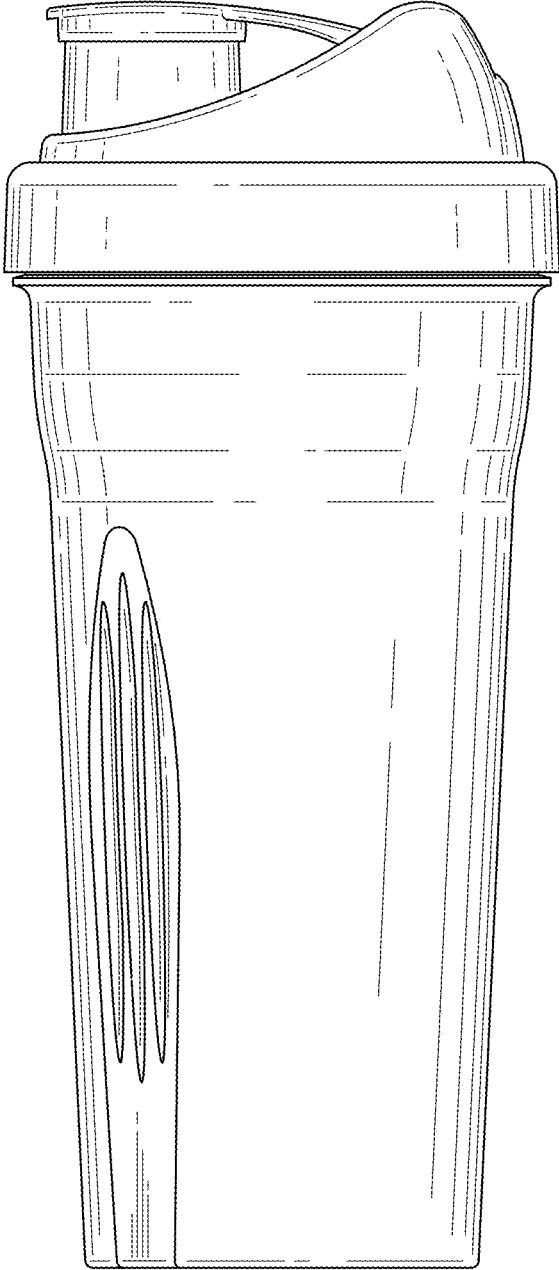


FIG. 5

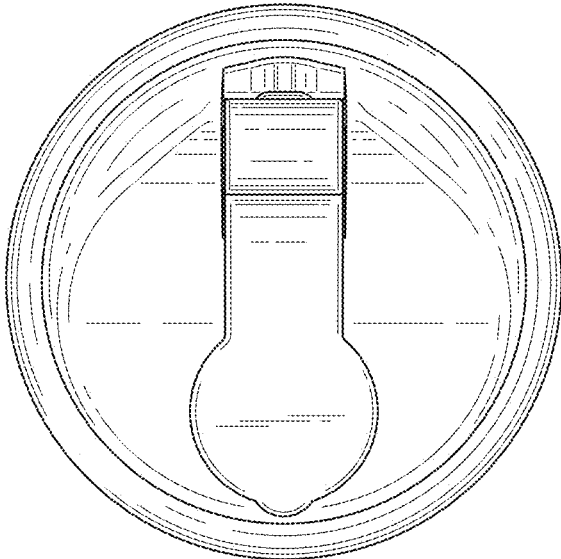


FIG. 6

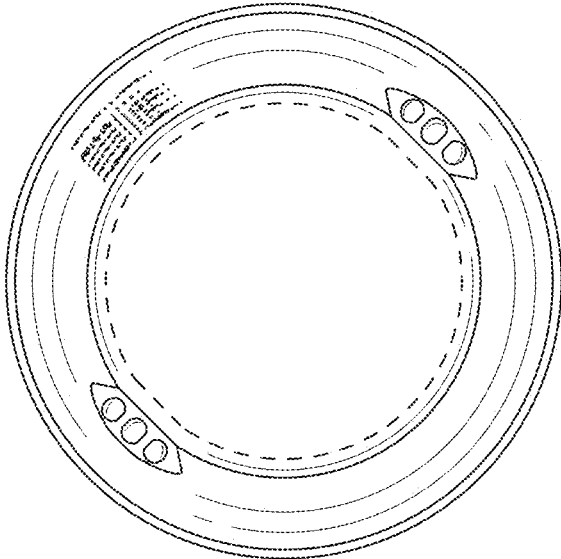


FIG. 7

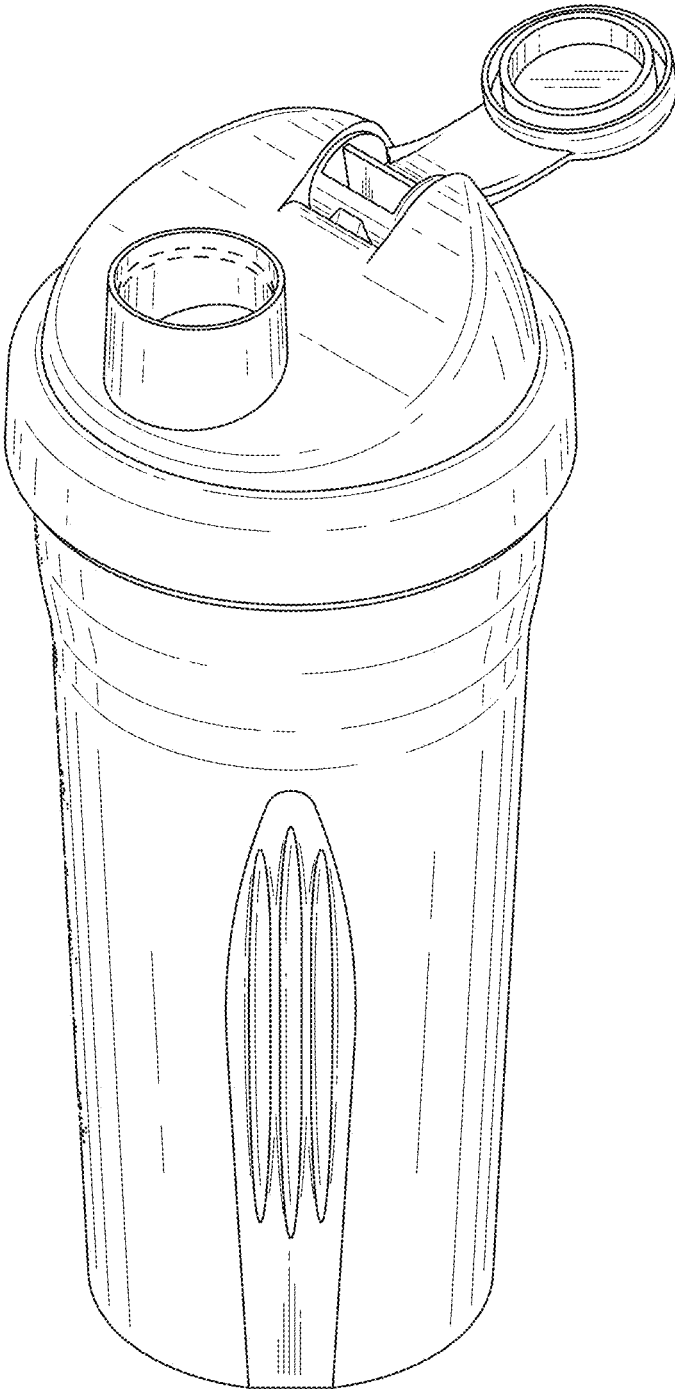


FIG. 8