



US00D786708S

(12) **United States Design Patent**
Maguire

(10) **Patent No.:** **US D786,708 S**

(45) **Date of Patent:** **** May 16, 2017**

(54) **PORTION CONTROL DEVICE**

(71) Applicant: **Aaron John Maguire**, Sioux Falls, SD
(US)

(72) Inventor: **Aaron John Maguire**, Sioux Falls, SD
(US)

(**) Term: **15 Years**

(21) Appl. No.: **29/540,533**

(22) Filed: **Sep. 25, 2015**

(51) **LOC (10) Cl.** **10-04**

(52) **U.S. Cl.** **D10/46.2**
USPC

(58) **Field of Classification Search**
USPC D10/46.2, 46.3; D7/691, 397, 398, 700,
D7/507, 512; D32/35; D8/10; D24/116;
D30/121, 129, 130, 199
CPC G01F 19/00; G01F 19/002; A47J 2203/00;
A61J 7/0023; A61J 7/0046
See application file for complete search history.

- D297,202 S 8/1988 Zumwalt
- D302,920 S 8/1989 Ancona
- D303,055 S 8/1989 Prindle
- D318,350 S 7/1991 Muffuletto
- D321,304 S 11/1991 Underwood
- D321,305 S 11/1991 Underwood
- 5,137,316 A 8/1992 Foos
- D330,997 S 11/1992 Spahni, Jr.
- D331,023 S 11/1992 Mulry
- D333,596 S 3/1993 Husted
- D338,599 S 8/1993 Zogg
- D339,991 S 10/1993 Mulry
- D344,686 S 3/1994 Weterrings
- D352,869 S 11/1994 Lathrop
- D370,421 S 6/1996 Tucker
- D387,957 S 12/1997 Keller

(Continued)

Primary Examiner — Susan Bennett Hattan

Assistant Examiner — Brett Miller

(74) *Attorney, Agent, or Firm* — Jeffrey A. Proehl;
Woods, Fuller, Shultz & Smith, P.C.

(57) **CLAIM**

The ornamental design for a portion control device, as shown and described.

(56) **References Cited**

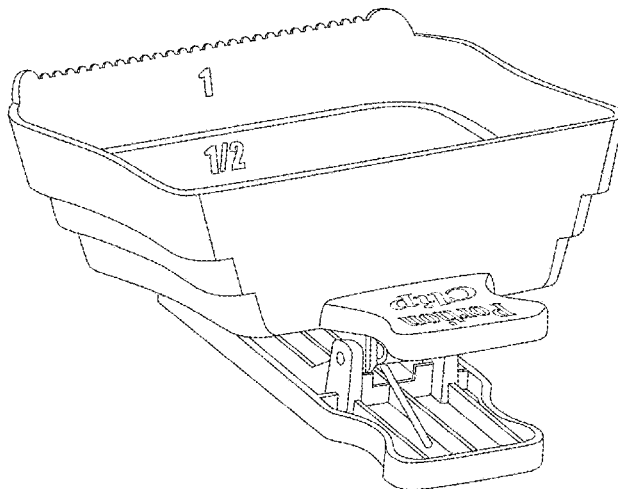
U.S. PATENT DOCUMENTS

423,018 A *	3/1890	Young	G01F 19/00
				33/522
D148,911 S	3/1948	Comeau		
D182,456 S	4/1958	Cronheim		
D190,383 S	5/1961	Hanson		
3,001,404 A	9/1961	McDonnell		
3,490,290 A *	1/1970	Bilson	G01F 19/00
				D10/46.2
4,202,464 A	5/1980	Mohs		
D257,551 S *	11/1980	Nadle	D10/46.2
D260,722 S	9/1981	Bateman		
D268,885 S	5/1983	Kelson		
D274,776 S	7/1984	Molloy		
4,572,374 A	2/1986	Sirotkin		
D283,196 S	4/1986	Hasse		

DESCRIPTION

FIG. 1 is a perspective view of the portion control device of the present disclosure;
 FIG. 2 is a top plan view of the portion control device;
 FIG. 3 is a bottom plan view of the portion control device;
 FIG. 4 is a front elevational view of the portion control device;
 FIG. 5 is a rear elevational view of the portion control device;
 FIG. 6 is a left side elevational view of the portion control device; and,
 FIG. 7 is a right side elevational view of the portion control device.

1 Claim, 4 Drawing Sheets



(56)

References Cited

U.S. PATENT DOCUMENTS

D387,958 S	12/1997	Keller	
D388,718 S	1/1998	Weterrings	
D395,928 S	7/1998	Freeland	
D403,211 S	12/1998	Weterrings	
5,918,922 A	7/1999	Lathrop	
D412,448 S *	8/1999	Bentson	D10/46.2
D428,676 S *	7/2000	Renforth	D30/162
D429,040 S	8/2000	Schmittgens	
6,341,578 B1	1/2002	Berube	
D460,328 S	7/2002	De Groote	
D492,605 S	7/2004	Mastroianni	
D506,112 S	6/2005	Roberson	
D515,949 S	2/2006	McGuyer	
D519,333 S	4/2006	Stewart	
7,086,282 B2	8/2006	Kilduff	
D529,771 S	10/2006	George	
D531,862 S	11/2006	George	
D532,321 S	11/2006	Heiligenstein	
D533,412 S	12/2006	George	
D533,975 S	12/2006	Kelly	
D534,695 S	1/2007	Van Skiver	
D549,529 S	8/2007	Risch	
D550,036 S *	9/2007	Holcomb	D7/512
D550,551 S	9/2007	Howard	
D562,159 S *	2/2008	Griffith	D10/46.2
D567,600 S	4/2008	Matsumura	
D577,615 S	9/2008	Markfelder	
D582,798 S	12/2008	Mantilla	
D583,635 S	12/2008	Ikoma	
7,523,973 B2	4/2009	Lin	
D598,251 S *	8/2009	Ikoma	D10/46.2
D602,656 S	10/2009	Fuhrer	
D614,374 S	4/2010	Anderson	
D620,769 S	8/2010	Mangin	
D636,545 S	4/2011	Lawson	
D636,950 S	4/2011	Lawson	
D664,003 S *	7/2012	Nagoya	D7/512
D665,133 S	8/2012	Haverstock	
D666,926 S	9/2012	De Leo	
D670,546 S	11/2012	Krus	
D675,070 S	1/2013	Rockwell	
D678,632 S	3/2013	Chance	
D684,733 S	6/2013	Altoon	
D686,783 S	7/2013	Pluss	
D700,750 S	3/2014	Maguire	
D701,424 S *	3/2014	Shamoon	D10/46.2
2005/0127073 A1 *	6/2005	Kusuma	B65D 21/086 220/6
2009/0140536 A1	6/2009	Claypool	
2009/0167038 A1	7/2009	Claypool	
2009/0229360 A1 *	9/2009	Harvey	G01F 19/00 73/427

* cited by examiner

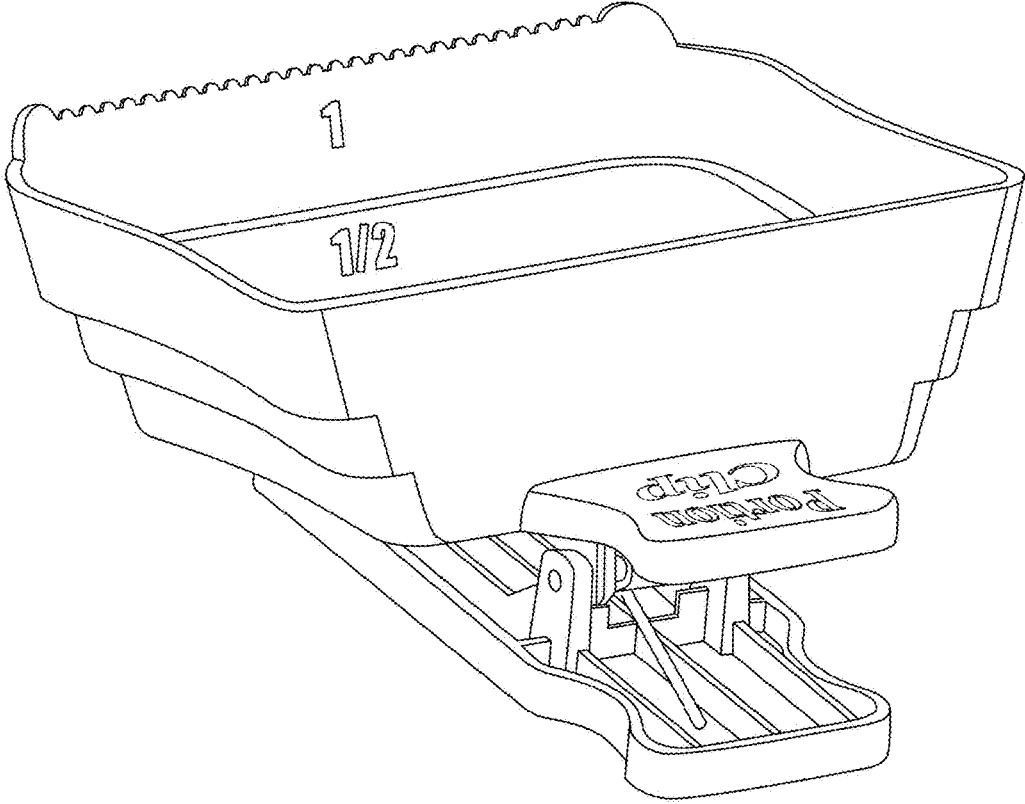


Fig. 1

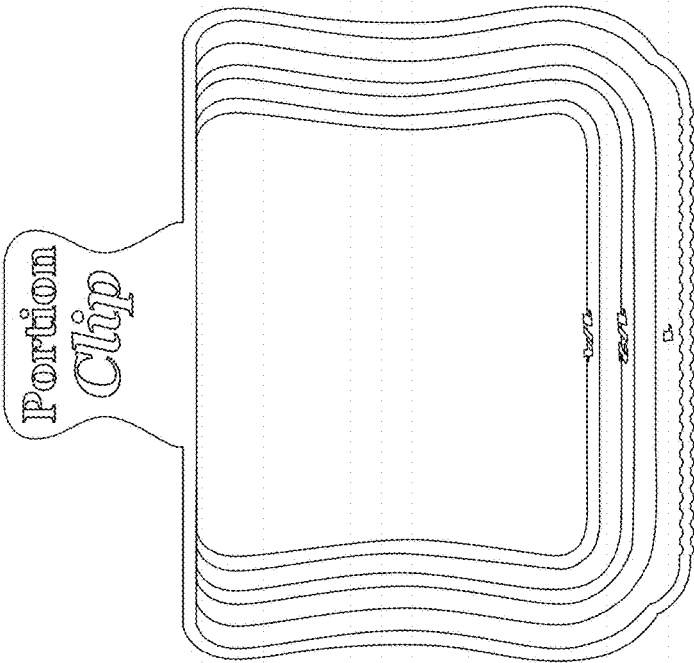


Fig. 2

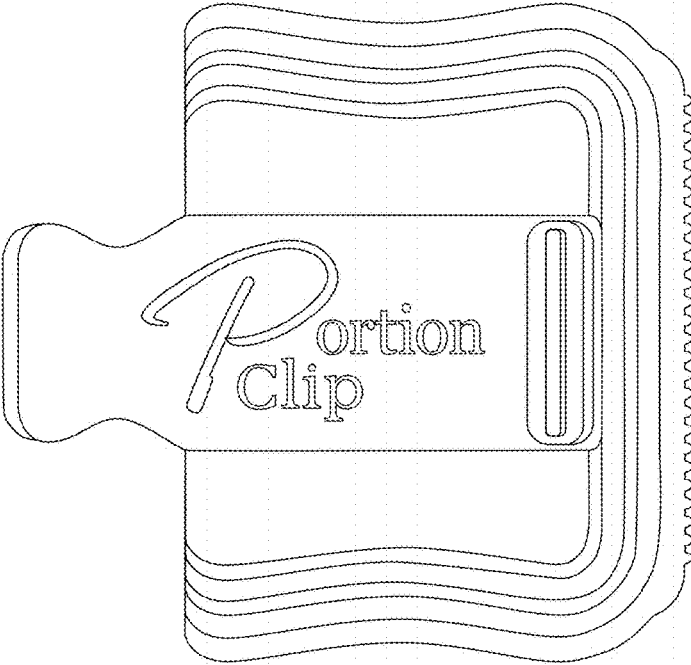


Fig. 3

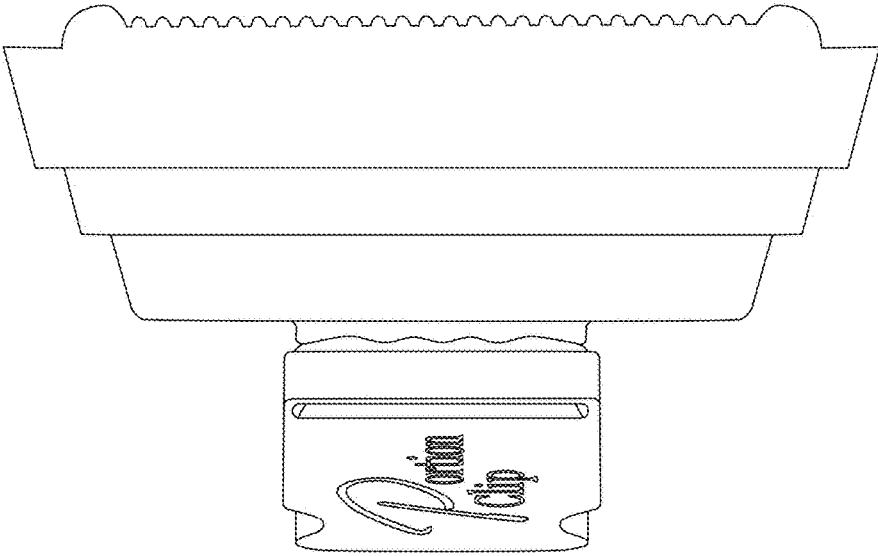


Fig. 4

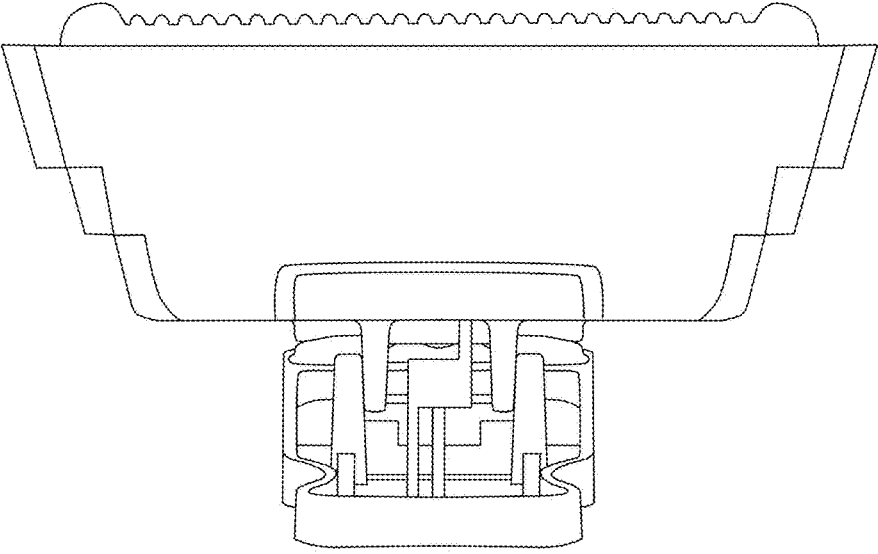


Fig. 5

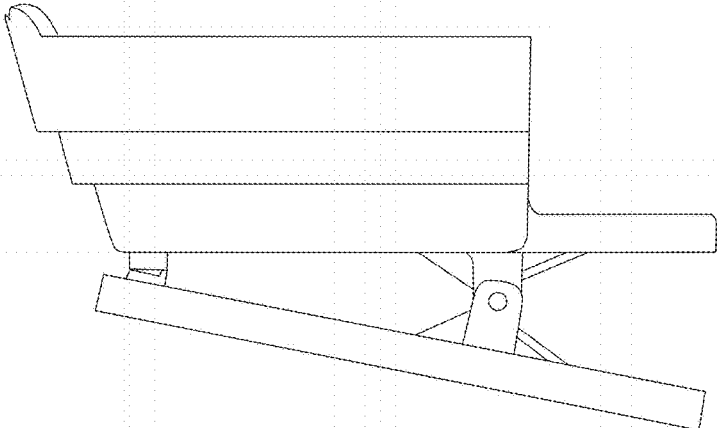


Fig.6

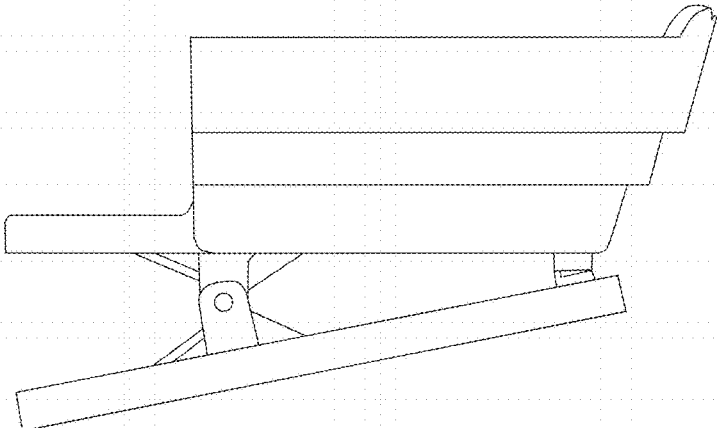


Fig.7