



US00D829174S

(12) **United States Design Patent**  
**O'Brien**

(10) **Patent No.:** **US D829,174 S**

(45) **Date of Patent:** **\*\* Sep. 25, 2018**

(54) **MOUNTABLE ELECTRONICS HOUSING**

(71) Applicant: **TSI Products, Inc.**, Arlington, TX (US)

(72) Inventor: **Stephen William O'Brien**, Fort Worth, TX (US)

(73) Assignee: **TSI Products, Inc.**, Arlington, TX (US)

(\*\*) Term: **15 Years**

(21) Appl. No.: **29/585,861**

(22) Filed: **Nov. 29, 2016**

(51) **LOC (11) Cl.** ..... **13-03**

(52) **U.S. Cl.**  
USPC ..... **D13/133**

(58) **Field of Classification Search**

USPC ..... D13/133, 146, 147, 154, 184, 199  
CPC ..... H05K 5/02; H05K 7/14; H01R 13/506;  
H01R 13/516; H01R 13/518; H01R  
13/627; H01R 13/6315; H01R 13/6453;  
H01R 13/6586; H01R 13/6597; H01R  
13/58; H01R 13/5845; H01R 13/02;  
H01R 13/03; H01R 13/405; H01R  
13/648; H01R 12/57; H01R 13/6585;  
H01R 24/60; H01R 2107/00; B29C  
70/84; B29C 70/88; B29C 70/885

See application file for complete search history.

(56) **References Cited**

**U.S. PATENT DOCUMENTS**

D618,623 S \* 6/2010 Peng ..... D13/147  
8,164,911 B2 \* 4/2012 Hassler ..... H04B 1/082  
174/392

D783,533 S \* 4/2017 Tress ..... D13/133  
D789,302 S \* 6/2017 Hsu ..... D13/147  
D791,079 S \* 7/2017 Todoverto ..... D13/133  
9,831,615 B2 \* 11/2017 Saito ..... H01R 13/6596

\* cited by examiner

*Primary Examiner* — Daniel Bui

(74) *Attorney, Agent, or Firm* — Hitchcock Evert LLP

(57) **CLAIM**

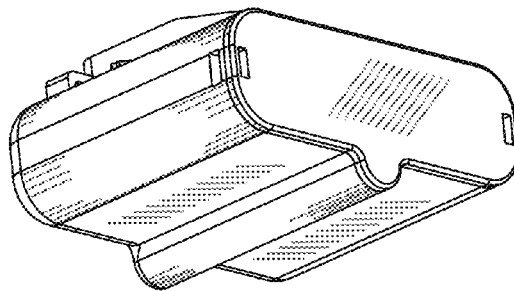
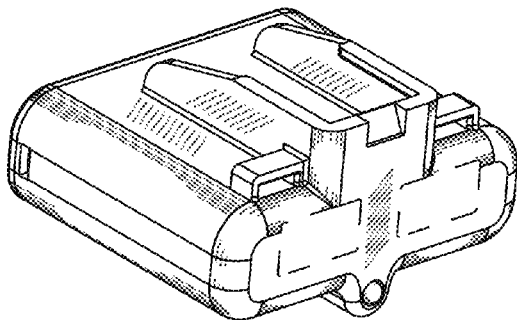
The ornamental design for a mountable electronics housing,  
as shown and described.

**DESCRIPTION**

FIG. 1 is a front, top and left side perspective view of a  
mountable electronics housing showing my new design;  
FIG. 2 is a back, bottom and right side perspective view  
thereof;  
FIG. 3 is a front elevation view thereof;  
FIG. 4 is a right side elevation view thereof;  
FIG. 5 is a back elevation view thereof;  
FIG. 6 is a left side elevation view thereof;  
FIG. 7 is a top plan view thereof; and,  
FIG. 8 is a bottom plan view thereof.

The features shown in broken lines are for the purpose of  
illustrating portions of the article that form no part of the  
claimed design.

**1 Claim, 4 Drawing Sheets**



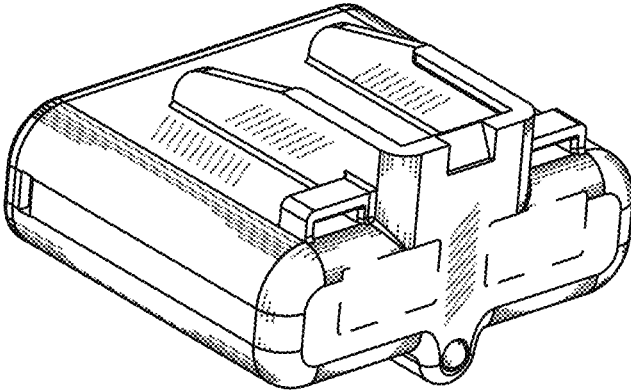


FIG. 1

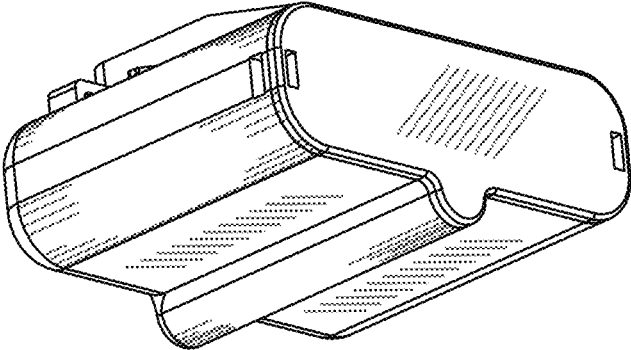


FIG. 2

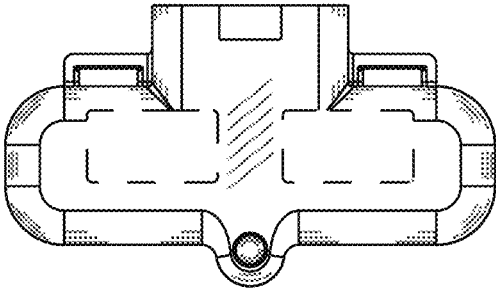


FIG. 3

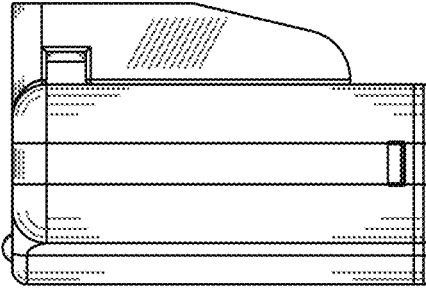


FIG. 4

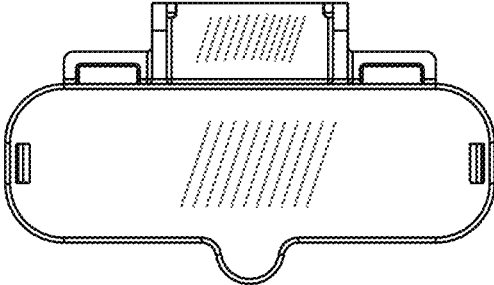


FIG. 5

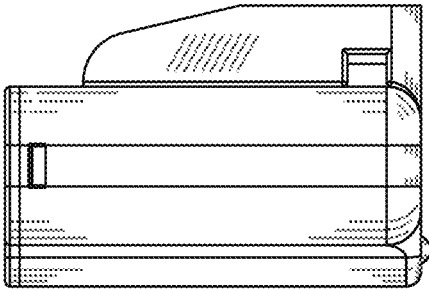


FIG. 6

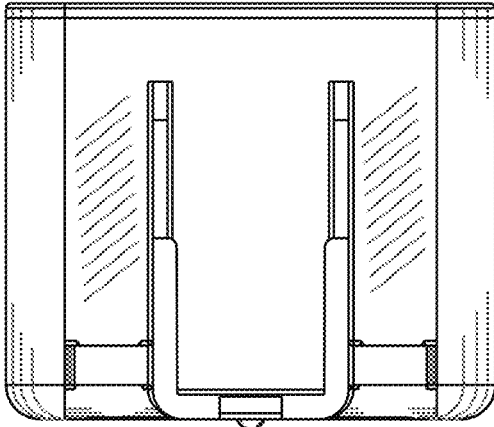


FIG. 7

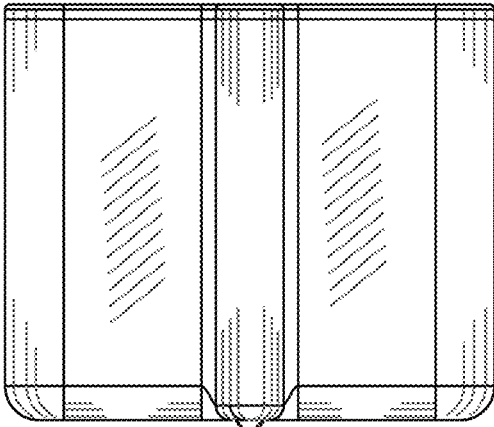


FIG. 8