



US00D700182S

(12) **United States Design Patent**
Kidakarn

(10) **Patent No.:** **US D700,182 S**

(45) **Date of Patent:** **** Feb. 25, 2014**

(54) **VIDEO GAME CONTROLLER**

(71) Applicant: **Michael Kidakarn**, Gardena, CA (US)

(72) Inventor: **Michael Kidakarn**, Gardena, CA (US)

(73) Assignee: **Michael Kidakarn**

(**) Term: **14 Years**

(21) Appl. No.: **29/442,109**

(22) Filed: **Dec. 10, 2012**

(51) **LOC (10) Cl.** **14-03**

(52) **U.S. Cl.**
USPC **D14/401**; D21/333

(58) **Field of Classification Search**
USPC D14/399-401, 412-416; D21/324, 333;
273/148 B; 463/1, 29-39, 46, 47;
345/156-161, 905
See application file for complete search history.

(56) **References Cited**

U.S. PATENT DOCUMENTS

5,207,426	A *	5/1993	Inoue et al.	463/36
D360,903	S *	8/1995	Barr et al.	D14/401
D362,277	S *	9/1995	Chan	D14/401
D491,183	S *	6/2004	Swan et al.	D14/401
6,743,100	B1 *	6/2004	Neiser	463/37

7,377,851	B2 *	5/2008	Goto et al.	463/37
D608,784	S *	1/2010	Biheller	D14/401
D620,939	S *	8/2010	Suetake et al.	D14/401
D638,016	S *	5/2011	Ikeda	D14/401
D653,292	S *	1/2012	Kotkin et al.	D21/333
8,188,842	B2 *	5/2012	Otsuka et al.	340/12.22
D685,434	S *	7/2013	Ali et al.	D21/333

* cited by examiner

Primary Examiner — Prabhakar Deshmukh

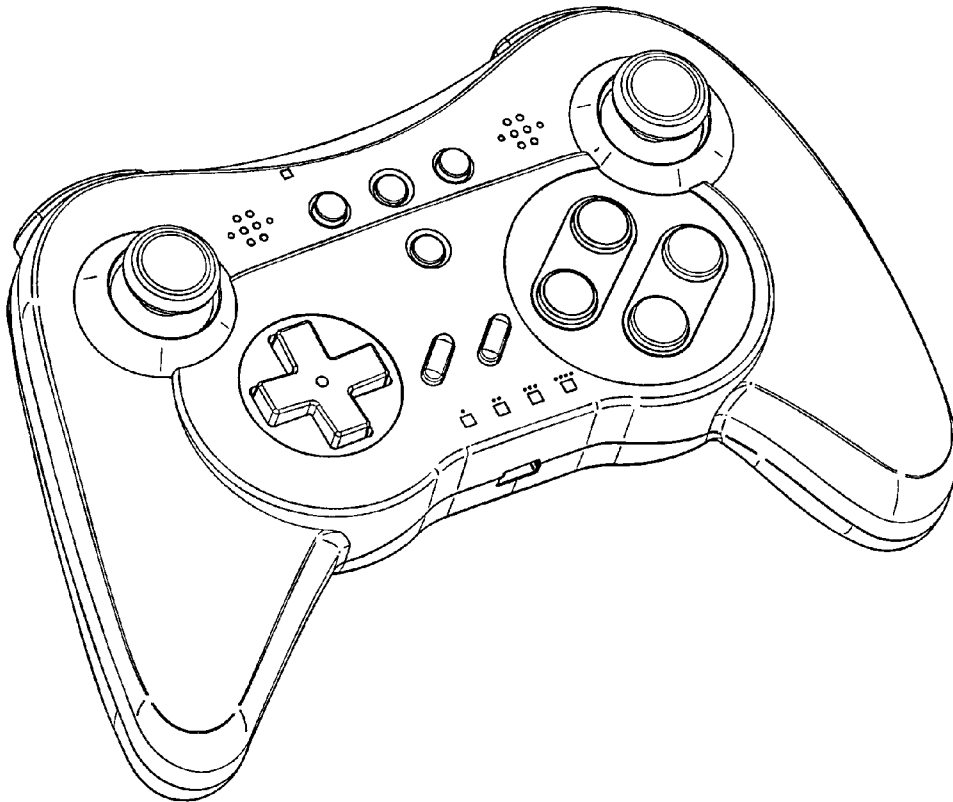
(57) **CLAIM**

The ornamental design for a video game controller, as shown and described.

DESCRIPTION

FIG. 1 is a perspective view of video game controller showing my new design.
FIG. 2 is a top view thereof.
FIG. 3 is a bottom view thereof.
FIG. 4 is a front view thereof.
FIG. 5 is a rear view thereof.
FIG. 6 is a right view thereof.
FIG. 7 is a left view thereof; and,
FIG. 8 is a bottom perspective view in an open position thereof.

1 Claim, 8 Drawing Sheets



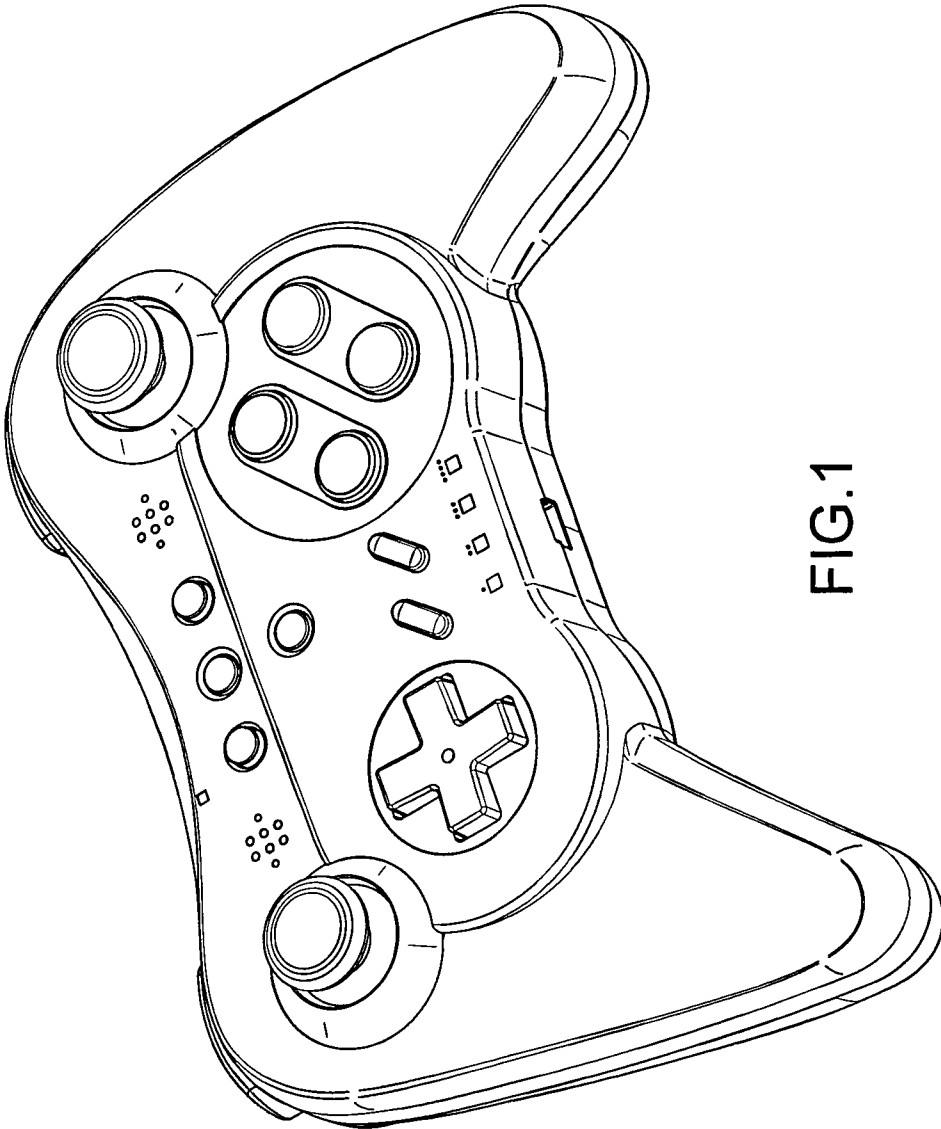


FIG.1

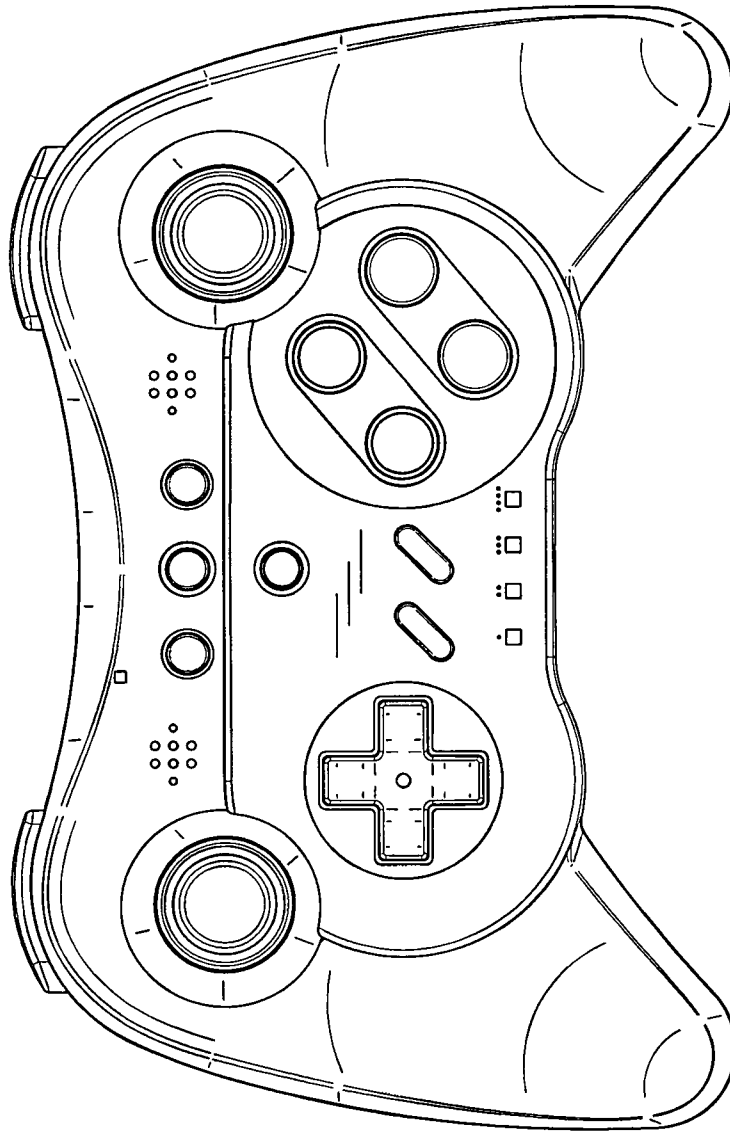


FIG.2

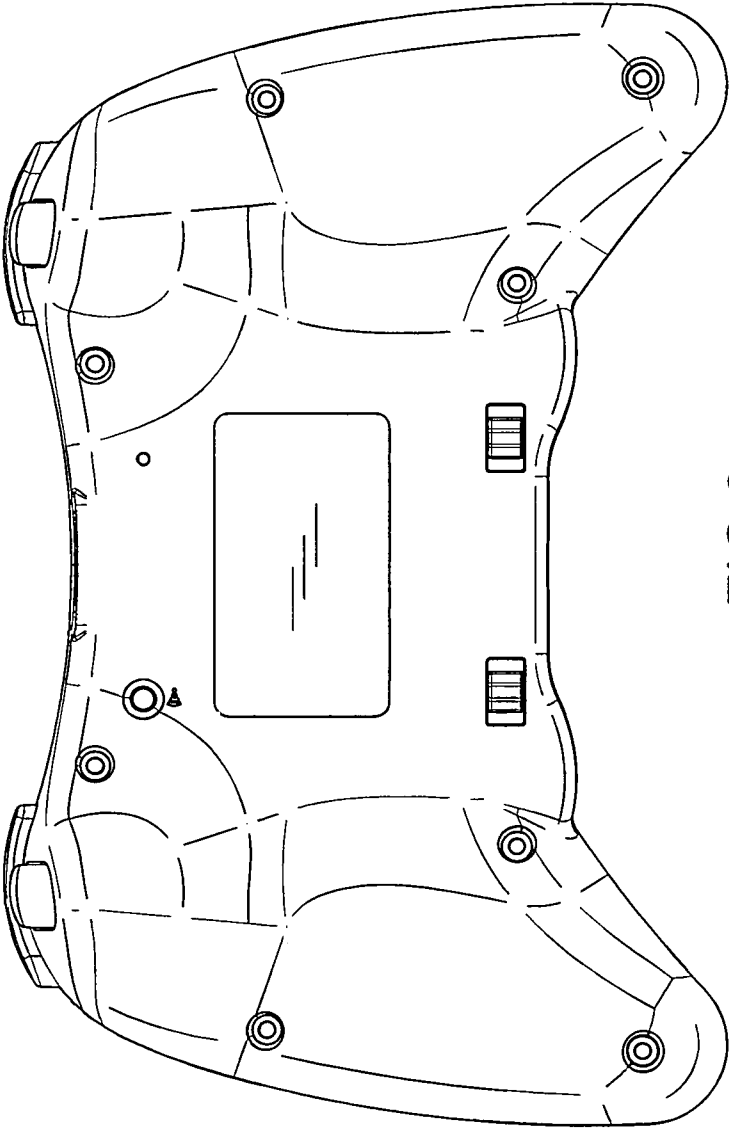


FIG.3

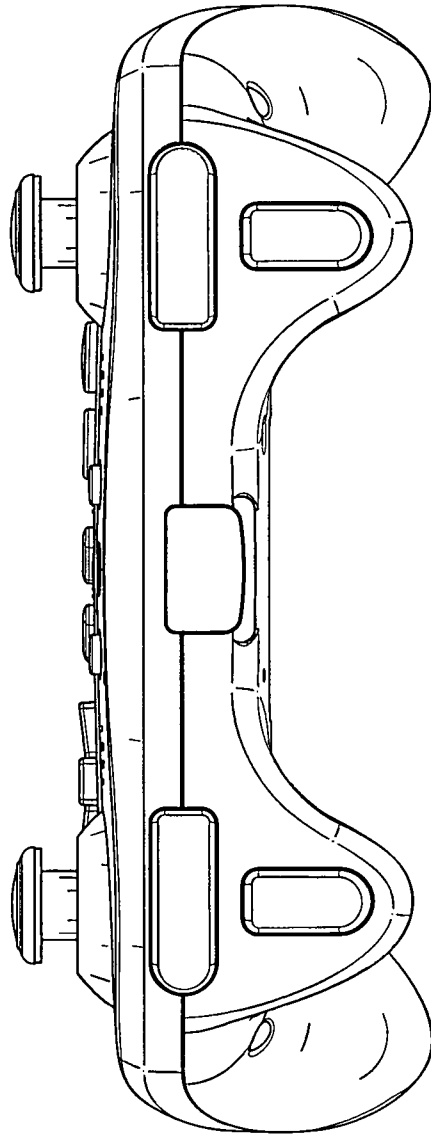


FIG.4

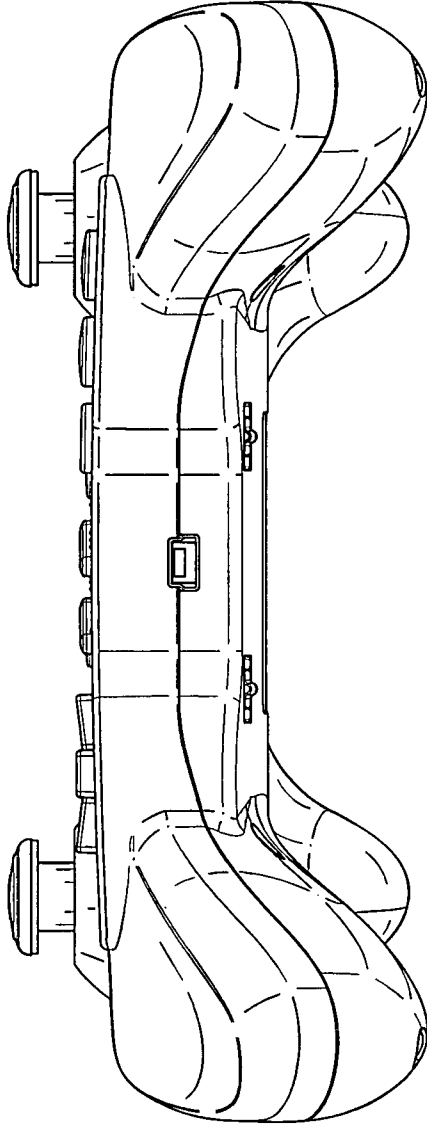


FIG.5

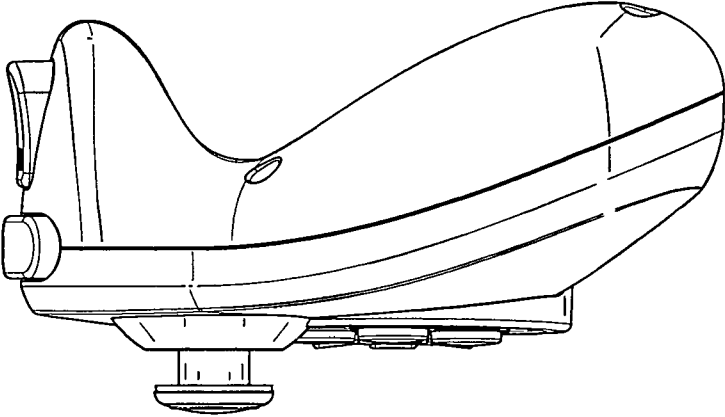


FIG.6

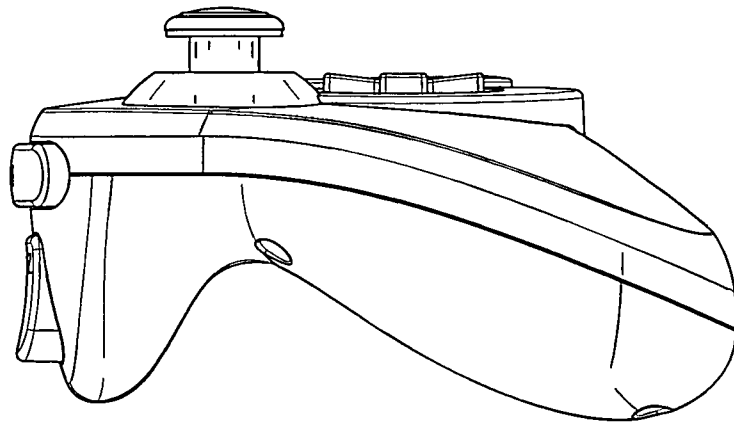


FIG.7

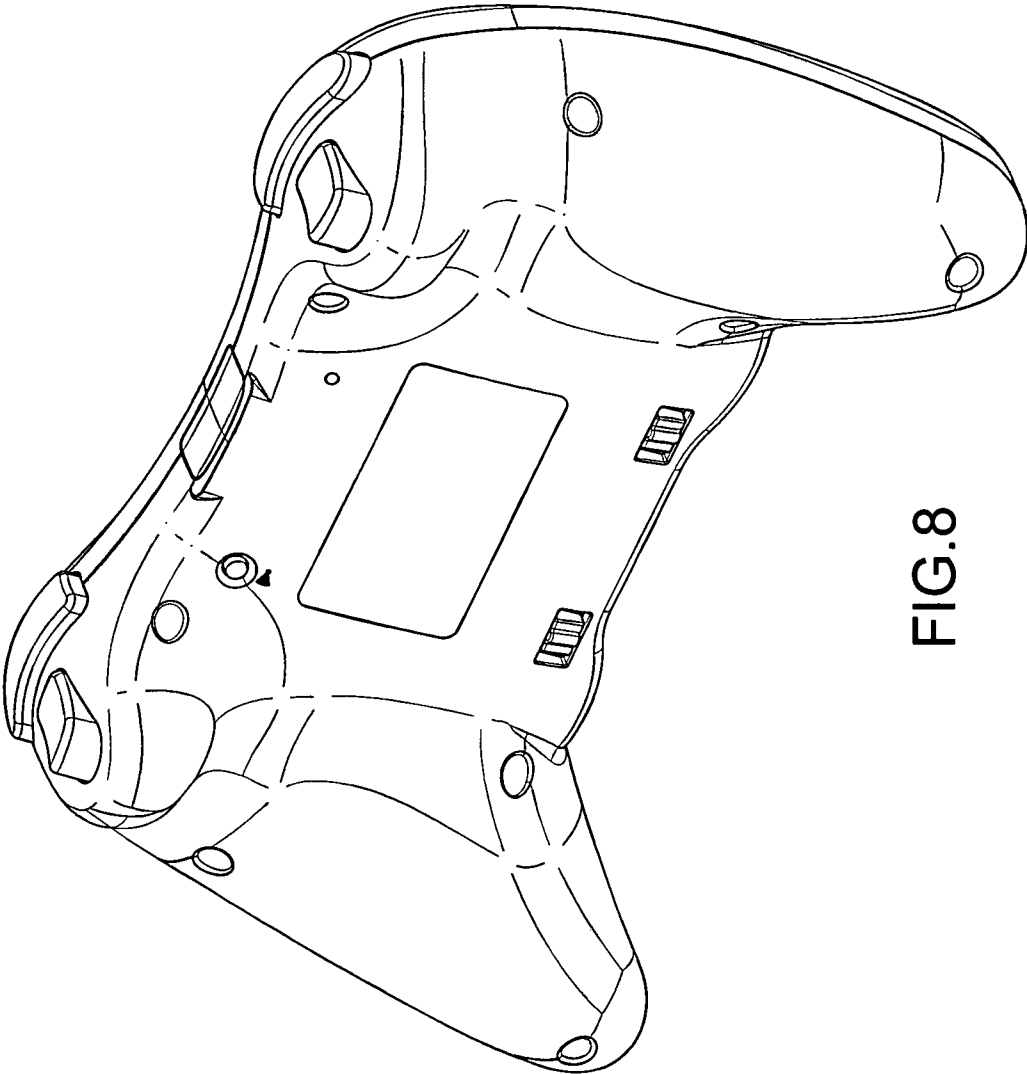


FIG.8