



US00D760547S

(12) **United States Design Patent**  
**Ash et al.**

(10) **Patent No.:** **US D760,547 S**

(45) **Date of Patent:** **\*\* Jul. 5, 2016**

(54) **FOOTBALL MUG WITH A GOAL POST**

(71) Applicant: **HMDYH Holding Company, LLC,**  
Boston, MA (US)

(72) Inventors: **Max J Ash,** Weston, MA (US); **Jordan Nollman,** Boston, MA (US)

(73) Assignee: **HMDYH Holding Company, LLC,**  
Norwood, MA (US)

(\*\*) Term: **15 Years**

(21) Appl. No.: **29/534,067**

(22) Filed: **Jul. 24, 2015**

2,600,479	A *	6/1952	Campomar .....	A47G 19/2211
				119/900
2,770,956	A *	11/1956	Achtziger .....	A47G 19/23
				215/10
3,150,084	A *	9/1964	Rodges .....	A47G 19/2211
				210/463
D308,431	S *	6/1990	Phelps .....	D21/703
D330,826	S *	11/1992	English .....	D7/515
D333,373	S *	2/1993	Pacelli .....	D99/37
5,379,914	A *	1/1995	Martins .....	A47G 19/2211
				220/269
D360,667	S *	7/1995	Liu .....	D21/703
6,102,203	A *	8/2000	Marro .....	A47K 1/09
				206/362.1
D529,250	S *	9/2006	Sofy .....	D34/4
D529,968	S *	10/2006	Frankel .....	D21/699
D562,636	S *	2/2008	Weber .....	D7/509
7,472,801	B1 *	1/2009	Moynihhan .....	B65F 1/14
				220/694

(Continued)

*Primary Examiner* — Marianne Pandozzi

(74) *Attorney, Agent, or Firm* — Ascentage Patent Law, LLC; Travis Lee Johnson; Davis S. Einfeldt

(57) **CLAIM**

The ornamental design for a football mug with a goal post, as shown and described.

**DESCRIPTION**

FIG. 1 is a top perspective view of a football mug with a goal post illustrating the Applicant's new design;  
 FIG. 2 is a top view of the football mug with a goal post;  
 FIG. 3 is a bottom view of the football mug with a goal post;  
 FIG. 4 is a front view of the football mug with a goal post;  
 FIG. 5 is a side view of the football mug with a goal post; and,  
 FIG. 6 is an enlarged rear view thereof, the rest of the football mug with a goal post removed for ease of illustration.  
 Where included, the use of stippling is intended to denote a difference in materials.  
 The broken lines shown in the figures represent portions of a football mug with a goal post that form no part of the claimed design.

**1 Claim, 3 Drawing Sheets**

**Related U.S. Application Data**

(63) Continuation-in-part of application No. 14/624,892, filed on Feb. 18, 2015, and a continuation-in-part of application No. 14/624,963, filed on Feb. 18, 2015.

(51) **LOC (10) Cl.** ..... **07-01**

(52) **U.S. Cl.**  
USPC ..... **D7/515; D7/396.2; D7/396.3**

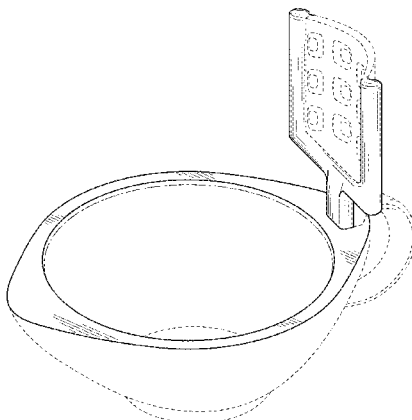
(58) **Field of Classification Search**

USPC ..... D7/396.2, 510, 511, 300.2, 398, 397,  
 D7/392, 300, 514, 515, 396.3; D9/435,  
 D9/447; 220/713, 731, 287; 215/387, 389;  
 206/457; D21/699  
 CPC .... A47G 19/2211; A47G 19/22; A45D 33/02  
 See application file for complete search history.

(56) **References Cited**

**U.S. PATENT DOCUMENTS**

D69,899	S *	4/1926	Mahoney .....	D11/99
1,739,627	A *	12/1929	Austin .....	A47G 19/2211
				220/719
D143,321	S *	12/1945	Hubbard .....	D7/520
2,591,606	A *	4/1952	Reed .....	A47G 19/22
				210/469



(56)

**References Cited**

		7,722,049 B2 *	5/2010	Williams	.....	A47G 19/025		
						273/317		
				D723,336 S *	3/2015	Ash	.....	D7/515
	U.S. PATENT DOCUMENTS							
	7,611,146 B2 *	11/2009	Arden	.....	A63B 67/083			
					273/317			* cited by examiner

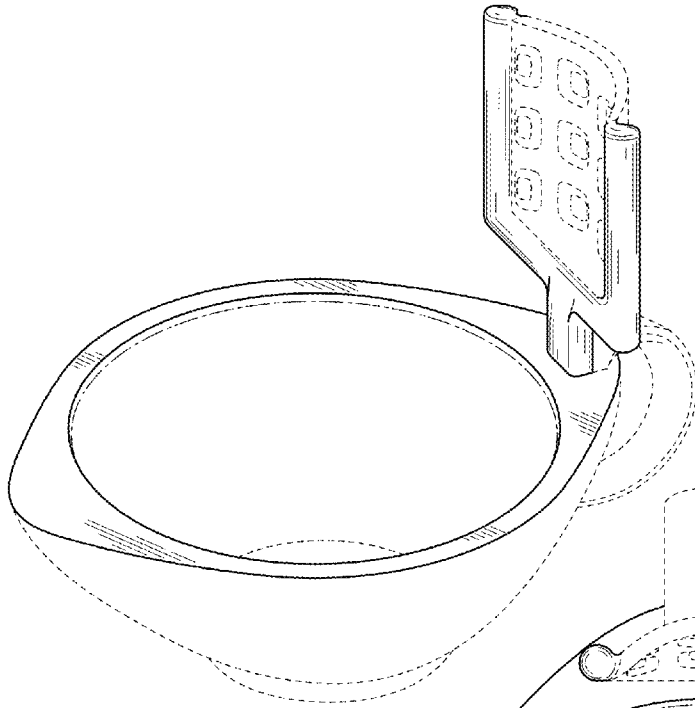


FIG. 1

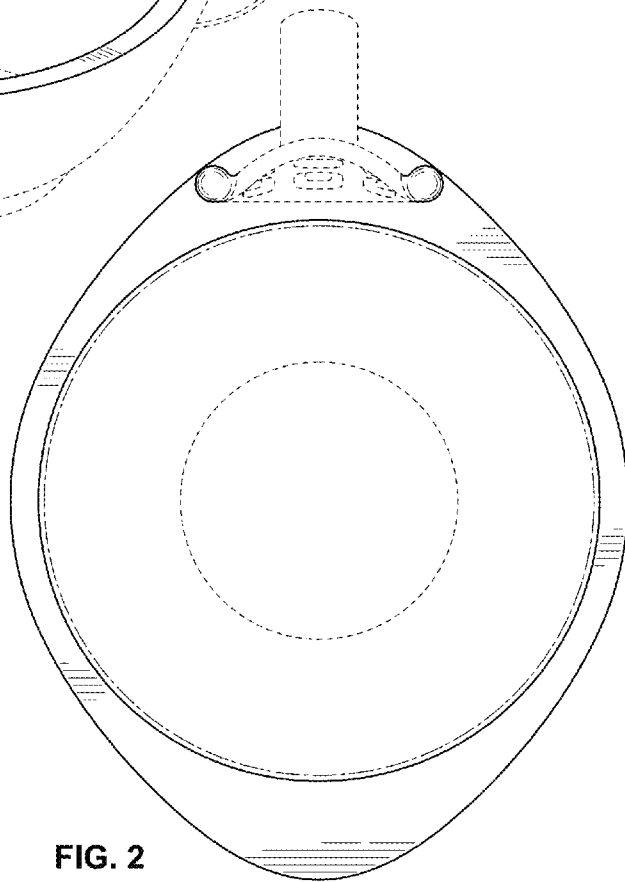


FIG. 2

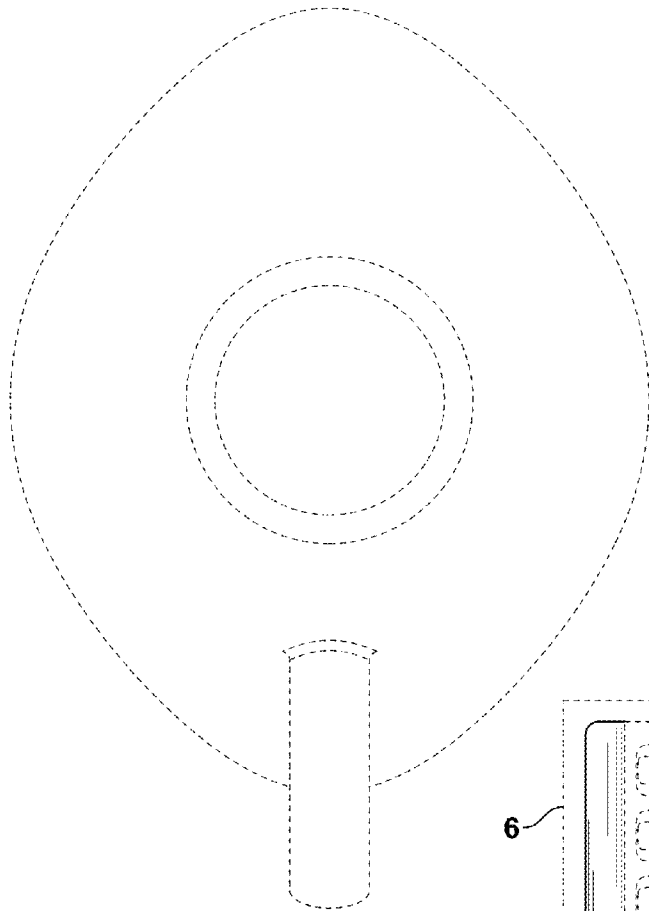


FIG. 3

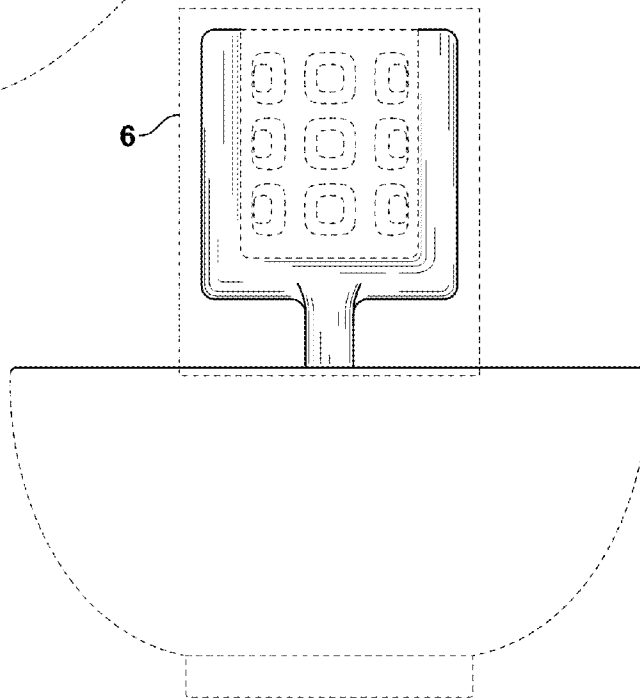


FIG. 4

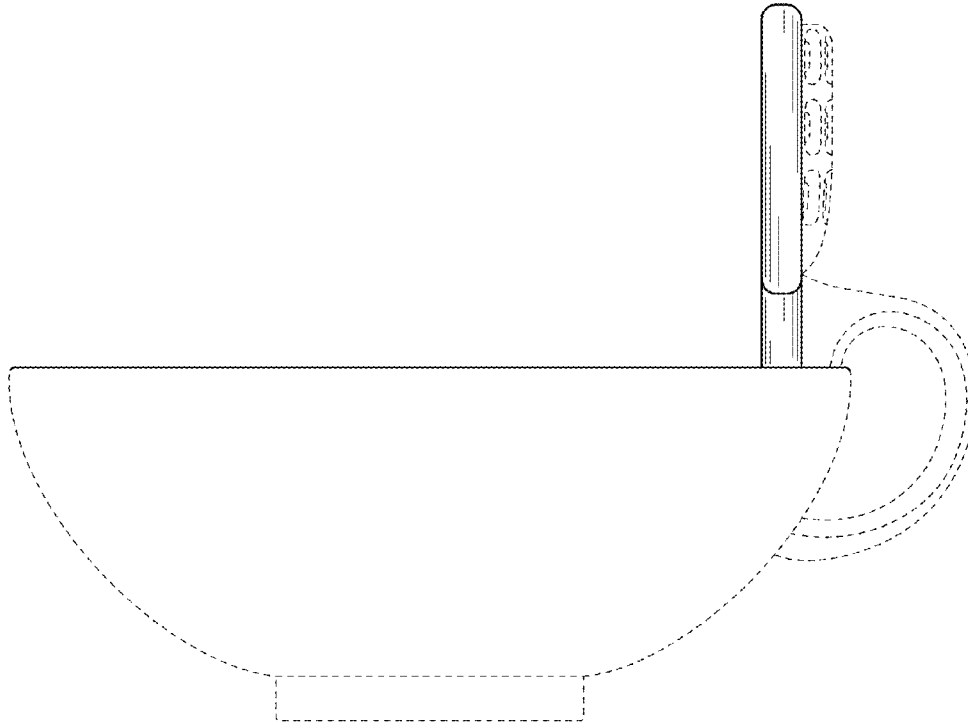


FIG. 5

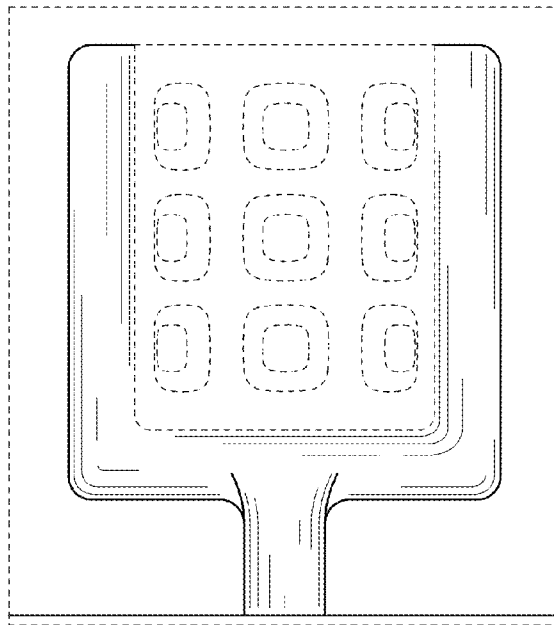


FIG. 6