

(19) World Intellectual Property Organization
International Bureau



(43) International Publication Date
18 October 2007 (18.10.2007)

PCT

(10) International Publication Number
WO 2007/117196 A1

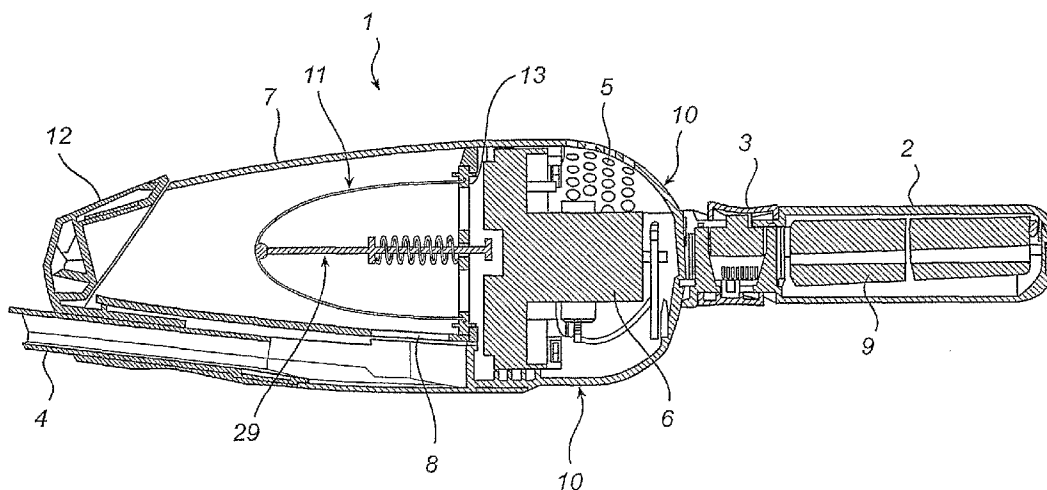
- (51) International Patent Classification:
A47L 9/20 (2006.01) A47L 9/10 (2006.01)
A47L 5/24 (2006.01)
- (21) International Application Number:
PCT/SE2007/000334
- (22) International Filing Date: 10 April 2007 (10.04.2007)
- (25) Filing Language: English
- (26) Publication Language: English
- (30) Priority Data:
0600820-5 10 April 2006 (10.04.2006) SE
- (71) Applicant (for all designated States except US): **AK-TIEBOLAGET ELECTROLUX** [SE/SE]; S:t Göransgatan 143, S-105 45 Stockholm (SE).
- (72) Inventors; and
- (75) Inventors/Applicants (for US only): **BESKOW, Jonas** [SE/SE]; Linnégatan 17 A, S-114 47 Stockholm (SE). **MIEFALK, Håkan** [SE/SE]; Castorvägen 43, S-175 68 Järfälla (SE).
- (74) Agent: **LAURIN, Magnus**; AB Electrolux, Group Intellectual Property, S-105 45 Stockholm (SE).

- (81) Designated States (unless otherwise indicated, for every kind of national protection available): AE, AG, AL, AM, AT, AU, AZ, BA, BB, BG, BH, BR, BW, BY, BZ, CA, CH, CN, CO, CR, CU, CZ, DE, DK, DM, DZ, EC, EE, EG, ES, FI, GB, GD, GE, GH, GM, GT, HN, HR, HU, ID, IL, IN, IS, JP, KE, KG, KM, KN, KP, KR, KZ, LA, LC, LK, LR, LS, LT, LU, LY, MA, MD, MG, MK, MN, MW, MX, MY, MZ, NA, NG, NI, NO, NZ, OM, PG, PH, PL, PT, RO, RS, RU, SC, SD, SE, SG, SK, SL, SM, SV, SY, TJ, TM, TN, TR, TT, TZ, UA, UG, US, UZ, VC, VN, ZA, ZM, ZW.
- (84) Designated States (unless otherwise indicated, for every kind of regional protection available): ARIPO (BW, GH, GM, KE, LS, MW, MZ, NA, SD, SL, SZ, TZ, UG, ZM, ZW), Eurasian (AM, AZ, BY, KG, KZ, MD, RU, TJ, TM), European (AT, BE, BG, CH, CY, CZ, DE, DK, EE, ES, FI, FR, GB, GR, HU, IE, IS, IT, LT, LU, LV, MC, MT, NL, PL, PT, RO, SE, SI, SK, TR), OAPI (BF, BJ, CF, CG, CI, CM, GA, GN, GQ, GW, ML, MR, NE, SN, TD, TG).

Published:
— with international search report

For two-letter codes and other abbreviations, refer to the "Guidance Notes on Codes and Abbreviations" appearing at the beginning of each regular issue of the PCT Gazette.

(54) Title: VACUUM CLEANER WITH FILTER CLEANING MEANS



(57) Abstract: A hand held vacuum cleaner comprises a housing (10) with a dust container (7) having an inlet (8) for dust laden air; a filter unit (11) with a filter body; and a motor fan unit (6) for generating a flow of air through the inlet (8) and through the filter unit (11). The filter body is flexible and the vacuum cleaner further comprises dust removing means configured to collapse and expand the flexible filter body in response to a force applied to the dust removing means (29).

WO 2007/117196 A1

VACUUM CLEANER WITH FILTER CLEANING MEANSTechnical Field

The present invention relates to a hand held vacuum cleaner comprising a housing, a dust container, a motor fan unit and a filter unit.

Background Art

Vacuum cleaners are commonly used in households for removing dust and debris from various surfaces, and today it is essential that the vacuum cleaner be easy to use, easy to clean and versatile in respect of fields of application.

Generally, a vacuum cleaner has a filter for removing dust from dust laden air flowing through the vacuum cleaner. After some time of usage dust adheres to the filter surface which leads to a pressure drop and reduced vacuum cleaning efficiency. Thus, cleaning of the filter is necessary to remove the particulate matter, such as dust, hair and fibers, from the filter.

In case of a clogged filter, it is also common to replace the filter with a new one for regaining vacuum cleaning efficiency.

WO 2004/069021 discloses a hand held vacuum cleaner having housing incorporating a motor fan unit. A dust container is connected to the housing, and when the vacuum cleaner is operated, dust laden air flows through an inlet, into the dust container, through a filter for trapping dust, and thereafter past the motor fan unit and out through air outlets. After operation fine dust is clogged to the filter, and sucked up debris is trapped in the dust container.

The dust container is emptied by letting out trapped debris through a dust outlet opening. Another way of emptying the dust container involves removing the dust con-

tainer, removing the filter from the dust container and letting out debris through a hole previously covered by the removed filter. The filter is cleaned by manually shaking or brushing the filter, or by vacuum cleaning the filter with another vacuum cleaner.

The filter cleaning process for the described vacuum cleaner is rather cumbersome. Moreover, dust removed from the filter is often uncontrollably spread to the surroundings.

10

Summary of the Invention

It is an object of the present invention to provide an improvement of the above techniques and prior art.

These and other objects as well as advantages that will be apparent from the following description of the present invention are achieved by a hand held vacuum cleaner having the features of appended claim 1. Preferred embodiments are defined in the dependent claims.

The hand held vacuum cleaner according to the invention is advantageous since the dust removing means cause adhered dust to fall off the filter when the dust removing means collapses and expands the filter body.

The dust removing means may be configured to be manually operated, which provides a simple structure allowing a user to operate the dust removing means.

The dust removing means may further comprise an elastic element which continuously exerts a force on a portion of the filter unit, for the purpose of providing an effective way of expanding the flexible filter body.

The dust removing means may comprise a rod connected to a bottom portion of the filter unit, and the rod may be movable in a direction from said portion of the filter unit to an opposite portion of the filter unit. This embodiment is cost efficient in terms of production and contributes to a low overall cost for the implementation of the present invention.

The vacuum cleaner according to the invention may comprise an elastic element which continuously exerts a force on the rod for expanding the flexible filter body and for providing efficient cleaning of the filter.

5 The filter unit may comprise an attachment member for attaching the filter unit to any of the housing and the dust container, which provides a fast and user friendly attachment of the filter unit.

The aforementioned attachment member may support the dust removing means, and the filter unit and the dust removing means may form an integrated and exchangeable filter assembly. These arrangements provide for a fast, combined and automated manufacturing process for the filter and/or the dust removing means, as well as convenient
10 handling of the filter unit.

The attachment member and the flexible filter body may be integrated which is advantageous since a more efficient filter manufacturing process is facilitated.

The flexible filter body may be essentially tubelike
20 with one closed end and one open end opposite the closed end, for providing an efficient dust trapping filter shape.

The flexible filter body may have a sleek surface facing the interior of the dust container, which allows,
25 for example, hair and fibers to more easily fall off the filter.

The filter unit may comprise a coarse pre-filter body at least partially encompassing the flexible filter body, which allows coarse particles such as fibers and
30 hair to be trapped by the coarse filter, while the flexible filter body which is arranged downstream of the coarse filter body traps finer particles of dust.

The coarse pre-filter body may have an opening for conveniently letting out dust when cleaning the filter
35 unit, and the flexible filter body may have a flexible cleaning and/or sealing part attached to a portion of the flexible filter body for closing the opening of the

coarse pre-filter body. The cleaning/sealing part assists in removing dust by scraping the interior of the pre-filter body during filter cleaning, and provides an efficient seal between the pre-filter and particle-filter during operation of the vacuum cleaner.

The vacuum cleaner according to the invention may further comprise means for swirling the incoming air around the filter unit. This is advantageous since vacuumed dust is more evenly adhered around the circumference of the filter, which prevents some parts of the filter to be excessively clogged, which would lead to a substantial decrease of air flow through the vacuum cleaner.

According to the invention, any one of the housing, the dust container and the filter unit may comprise at least one air flow guiding vane for generating the swirling or cyclonic effect described above.

Any one of the dust container and filter may comprise a dust-trapping rib for causing dust to be trapped near a desired part of the filter unit, which aids in building up an even distribution of dust around the filter body.

The term "hand held vacuum cleaner" incorporates small vacuum cleaners intended for vacuum cleaning small surfaces. During operation the hand held vacuum cleaner is, as one unit, continuously carried or continuously moved over a surface being vacuum cleaned.

It should be noted that the term "hand held vacuum cleaner" incorporates stick vacuum cleaners.

30 Brief Description of the Drawings

Embodiments of the present invention will now be described, by way of example, with reference to the accompanying schematic drawings, in which

Fig. 1 is a perspective view of a hand held vacuum cleaner,

Fig. 2 is a cross-sectional view of the hand held vacuum cleaner of Fig. 1,

Fig. 3 is a cross-sectional view of a filter unit according to a first embodiment,

Fig. 4 is a side view of the filter unit of Fig. 3,

Fig. 5 is a view of the filter unit of Fig. 3 in a contracted state,

Fig. 6 is a cross-sectional view of a filter unit according to a second embodiment,

Fig. 7 is a view of the filter of Fig. 6 in a contracted state,

Fig. 8 is a cross-sectional view of a filter unit according to a third embodiment, and

Fig. 9 is an exploded view of a hand held vacuum cleaner with a filter unit incorporating swirling means.

15 Detailed Description of Embodiments

With reference to Figs 1, 2 and 9 a hand held vacuum cleaner 1 is illustrated. The vacuum cleaner 1 comprises a housing 10 having a handle 2, an on/off-switch 3 and an inlet 4 for suction of dust laden air. The suction is generated by means of a motor fan unit 6 arranged in the housing 10. When the vacuum cleaner 1 is operated, air flows from the inlet 4 of the vacuum cleaner 1, into an inlet opening 8 of a dust container 7, through a filter unit 11, past the motor fan unit 6, and finally the air exits the vacuum cleaner 1 through outlets 5.

The motor fan unit 6 is typically powered by batteries 9 arranged in the handle 2 and is turned on or off by means of the on/off-switch 3. Preferably the batteries 9 are rechargeable and preferably the housing 10 comprises a power-inlet and electrical circuits (not shown) for re-loading the batteries 9.

As described above, dust laden air flows through the filter unit 11 during operation and thereby the air is filtered by the filter unit 11 which traps dust, fibers, hair, sand and other particles. Some of the sucked up particles adhere to the filter unit 11, but most are trapped in a lowermost part of the dust container 7. The

dust container 7 is emptied, for example, by opening a lid 12 belonging to the dust container 7 and by allowing the dust to exit the lid opening, or by removing the dust container 7 from the housing 10 and allowing dust to escape from an opening 13 of the dust container 7.

With reference to Figs 3 and 4, a filter unit 11 according to a first embodiment is illustrated. The filter unit 11 comprises an air permeable and flexible filter body 14 having the form of a tubular bag with its open end, or top portion 15, integrated with a filter attachment member 17. A dust removing means 29 comprising a rod 22 and a spring 28 is arranged inside the filter body 14, and an end portion 23 of the rod 22 is connected to a closed portion 16 of the filter body 14. The rod 22 is supported by a support part 18 integrated with the filter attachment member 17 via at least one arm 19. Preferably the support part 18 forms a hole for the rod 22. The filter body 14 is straightened by a biasing force applied by the spring 28 which is arranged around the rod 22 between a rod protrusion 25 and the support part 18 of the attachment member 17.

The attachment member 17 comprises holes 20 that are configured to receive therethrough corresponding pegs (not shown) that extend from the housing 10 or from the dust container 7 in order to form a bayonet joint. Resilient sealing members 26, 27 are arranged on the attachment member 17 for providing an air tight seal between the housing 10 and/or the dust container 7.

The attachment member 17 may also be connected by connecting the dust container 7 to the housing 10 and therebetween fitting and pressing the attachment member 17, or the attachment member 17 may be attached to the housing 10 or the dust container 7 by an interference fit or snap fit associated with the respective connecting part.

Preferably, the filter unit 11 is attached to the dust container 7 and when the filter unit 11 is to be

cleaned the dust container 7 is removed from the housing 10 with the filter unit 11 still attached. Subsequently a top portion 24 of the rod 22 is moved in the direction of the arrow D for collapsing and expanding the filter unit 11, or more specifically, contracting and straightening the flexible filter body 14 as illustrated in Fig. 5. During this operation dust falls off the filter unit 11 and, since it is still attached to the dust container 7, into the dust container 7 without spreading dust to the surroundings. Thereby, the filter unit 11 is cleaned.

The outer surface of the filter body 14, i.e. the surface facing the interior of the dust container 7, is preferably sleek for preventing hair and fibers from adhering to the filter body 14. Any known filter material with a sleek surface may be used for manufacturing the filter body 14.

With reference to Fig. 6 a filter unit 11 according to a second embodiment is illustrated. The filter unit 11 comprises an air permeable and flexible fine particle-filter body 32 having the form of a tubular bag with its open end, or top portion 36, integrated with a filter attachment member 17. A flexible cleaning and/or sealing part 33 is attached to a closed portion 34 of the particle-filter body 32. The filter unit 11 further comprises a coarse pre-filter body 30 which has an opening 31 in an end portion, encloses the particle-filter body 32 and is connected to the attachment member 17. It should be noted that the coarse pre-filter body 30 filters large particles such as hair and fibers, while the particle-filter body 32 filters smaller particles that pass through the coarse filter 30.

Preferably the coarse pre-filter body 30 is detachable from the attachment member 17, and the coarse filter body 30 may incorporate a separate attachment member (not shown) for attachment to any of the attachment member 17, the housing 10 and the dust container 7.

A dust removing means 29 comprising a rod 22 and a spring 28 is arranged inside the particle-filter body 32, and the inner portion of the rod 22 is connected to the closed portion 34 of the particle-filter body 32 in a manner corresponding to the filter according to the first
5 embodiment. The spring 28 presses the cleaning/sealing part 33 towards the lower part of the coarse pre-filter body 30 and thus seals the opening 31 during operation of the vacuum cleaner 1.

10 The filter unit 11 according to the second embodiment is attached to the dust container 7 or the housing 10 in a manner similar to the attachment of the first embodiment of the filter unit 11. When the filter unit 11 is to be cleaned the dust container 7 is removed from the
15 housing 10 with the filter unit 11 still being attached. The top portion 24 of the rod 22 is then moved in the direction of the arrow D for collapsing and expanding the filter unit 11, or more particularly, contracting and straightening the particle-filter body 32 as illustrated
20 in Figs 6-7. During this operation dust falls off the particle-filter 32, out through the opening 31 and into the dust container 7.

If particles of dust are adhered to the interior of the pre-filter 30, the interior may be scraped by the
25 cleaning/sealing part 33. To facilitate this operation there is an optional clearance between the filter attachment member 17 and the rod 22 to allow slight tilting of the rod along direction T.

Fig. 8 illustrates a filter unit 11 according to a
30 third embodiment. The filter unit 11 comprises a spring 37 arranged inside the filter body 14 to support the filter body 14. The spring 37 is at one end connected to a bottom portion 16 of the filter body 14 and is at its other end connected to the attachment member 17. Prefera-
35 bly the spring 37 has a conical shape corresponding to the straightened shape of the filter body 14, as illus-

trated in the figure. The spring 37 "fills" the inner space defined by the filter body walls.

The rod 22 of the third embodiment may be omitted and replaced by a weight (not shown) arranged in a bottom portion 16 of the filter body 14. In this case the filter unit 11 is to be shaken for contracting and straightening the filter body 14. Such a weight may be used in any combination of the first and second embodiment.

The spring 37 according to the third embodiment may also be combined with any of the filters according to the first and second embodiment. The spring 28 of the second embodiment may, of course, be omitted to provide yet another embodiment where the spring 37 according to the third embodiment is arranged within the particle-filter body 32, and where the spring 37 is connected to the bottom portion 34 of the particle-filter body 32 and to the attachment member 17. Of course, the rod 22 of the second embodiment may be omitted and replaced by a weight (not shown) arranged in a bottom portion 34 of the particle-filter body 32.

With reference to Figs 2 and 9, the filter comprises a radial wall 40 for preventing dust from exiting through the opening 8 of the dust container 7 when the vacuum cleaner 1 is held with its opening 4 in an upward direction. An air-flow guiding vane 41 is arranged on the exterior of the filter unit 11 for creating an effect where air is swirled around the filter unit 11 during operation. Several air-flow guiding vanes may be arranged, and the vanes may also be arranged on the interior of the dust container 7 or on the housing 10. A support frame 42 may also be arranged to provide predetermined outer boundaries for the filter unit 11.

To cause dust to get stuck between the filter unit 11 and the dust container 7, a rib (not shown) is integrated with the filter unit 11 and extends radially towards the dust container 7.

A suitable known material is selected for the filter bodies described above, such as a plastic material for the coarse pre-filter 30 and a fiber or web-based material for the particle-filter 14, 32.

5 The filter body or bodies and filter attachment member are integrated, for example, by bonding, gluing, melting or sewing the filter body to a surface of the attachment member, by enclosing the open end of the filter body in the attachment member, by clamping or melting the
10 attachment member to the filter body. Preferably the filter body and attachment member are circular as illustrated in the figures. However, any of the filter body and attachment member may, for example, be rectangular, triangular or have any other suitable shape.

15 The attachment member may have any suitable shape for attachment to the dust container and for support of the dust cleaning means and may, for example, comprise a disc with attachment holes and a support hole for the cleaning means. Preferably the attachment member is ex-
20 truded, and preferably made of a plastic material such as polyethylene or any other similar material.

The spring may be replaced by a suitable elastic element that will provide a corresponding function. It is also possible to connect an elastic element, such as a
25 spring or a rubber string, to the attachment member and the top portion of the rod.

The dust container may be an integrated part of the vacuum cleaner, and the inlet of the vacuum cleaner may comprise the dust container inlet.

30 Furthermore, the described spring is only one example of means for straightening the respective filter bodies. Other means for straightening the filter comprise an interference fit or a snap-in fitting between the rod and the filter attachment member, since this would fix the
35 rod to the attachment member and thus provide a desired, straightened shape of the filter body. When the filter is to be cleaned, or the rod reciprocated, the interference

is manually overcome by a user, or the snap-in fitting is opened by the user.

Another way of straightening the respective filter bodies comprises arranging a part of the housing, such as
5 a protection element for the motor fan unit, to continuously exert a pressure on the top portion of the rod when the housing and the dust container are connected.

According to particular aspect of this concept, an exchangeable filter unit for a vacuum cleaner is provided, which filter comprises a flexible filter body integrated with a filter attachment member, and dust removing means configured to collapse and expand the flexible filter body in response to a force applied to the dust
10 removing means.

15 The exchangeable filter unit may incorporate any of the embodiments of the filter and dust removing means of the vacuum cleaner described above.

CLAIMS

1. A hand held vacuum cleaner comprising:
5 a housing (10) with a dust container (7) comprising an inlet (8) for dust laden air;
a filter unit (11) comprising a preferably baglike filter body (14; 32); and
a motor fan unit (6) for generating a flow of air
10 through the inlet (8), and through the filter unit (11),
c h a r a c t e r i s e d in that the filter body (14; 32) is flexible and that the vacuum cleaner further comprises dust removing means (29) configured to agitate, preferably, to collapse and expand the flexible filter
15 body (14; 32) in response to a force applied to the dust removing means (29).
2. A hand held vacuum cleaner according to claim 1, wherein the dust removing means (29) is configured to be manually operated.
- 20 3. A hand held vacuum cleaner according to claim 1 or 2, wherein the dust removing means (29) comprises an elastic element (28; 37) which continuously exerts a force on a portion (16; 34) of the filter unit (11), for expanding the flexible filter body (14, 32).
- 25 4. A hand held vacuum cleaner according to any one of claims 1-3, wherein the dust removing means (29) comprises a rod (22) connected to a portion (16; 34) of the filter unit (11), said rod (22) being movable in a direction from said portion (16; 34) of the filter unit (11)
30 to an opposite portion (15; 36) of the filter unit (11).
5. A hand held vacuum cleaner according to claim 4, further comprising an elastic element (28) which continuously exerts a force on the rod (22) for expanding the flexible filter body (14; 32).
- 35 6. A hand held vacuum cleaner according to any one of claims 1-6, wherein the filter unit (11) comprises an

attachment member (17) for attaching the filter unit (11) to any of the housing (10) and the dust container (7).

7. A hand held vacuum cleaner according to claim 6, wherein the attachment member (17) supports the dust removing means (29).

8. A hand held vacuum cleaner according to claim 6 or 7, wherein the filter unit (11) and the dust removing means (29) form an integrated and exchangeable filter assembly.

9. A hand held vacuum cleaner according to any one of claims 6-8, wherein the attachment member (17) and the flexible filter body (14; 32) are integrated, preferably in that an annular attachment member is molded together with the opened end of the filter body.

10. A hand held vacuum cleaner according to any one of claims 1-9, wherein the flexible filter body (14; 32) is essentially tubelike, with one closed end (16) and one open end (15) opposite the closed end (16).

11. A hand held vacuum cleaner according to any one of claims 1-10, wherein the flexible filter body (14) has a sleek surface facing the interior of the dust container (7).

12. A hand held vacuum cleaner according to any one of claims 1-11, further comprises a coarse pre-filter body (30) at least partially encompassing the flexible filter body (32), wherein the coarse pre-filter body (30) preferably is part of the filter unit (11).

13. A hand held vacuum cleaner according to claim 12, wherein the coarse pre-filter body (30) has a baglike shape and wherein the baglike flexible filter-body (32) is arranged inside the coarse pre-filter body (30) such that the open end of the baglike flexible filter-body is located at the open end of the baglike coarse pre-filter body (30).

14. A hand held vacuum cleaner according to claim 12 or 13, wherein the coarse pre-filter body (30) has an opening (31), preferably in the bottom part of the coarse

pre-filter body, for letting out dust that has been removed from the filter body by means of said dust removing means (29).

15 14, further comprising a flexible cleaning and/or sealing part (33) attached to a bottom portion (34) of the flexible filter body (32) for closing the opening (31) of the coarse pre-filter body (30) during vacuum cleaning operation.

10 16. A hand held vacuum cleaner according to any one of claims 1-15, further comprising means (41) for swirling the incoming air around the filter unit (11).

15 17. A hand held vacuum cleaner according to any one of claims 1-16, wherein any one of the housing (10), the dust container (7) and the filter unit (11) comprises at least one air flow guiding vane (41) for swirling the incoming air around the filter unit (11).

20 18. A hand held vacuum cleaner according to any one of claims 1-17, wherein any one of the dust container (7) and the filter unit (11) comprises a dust-trapping rib (40).

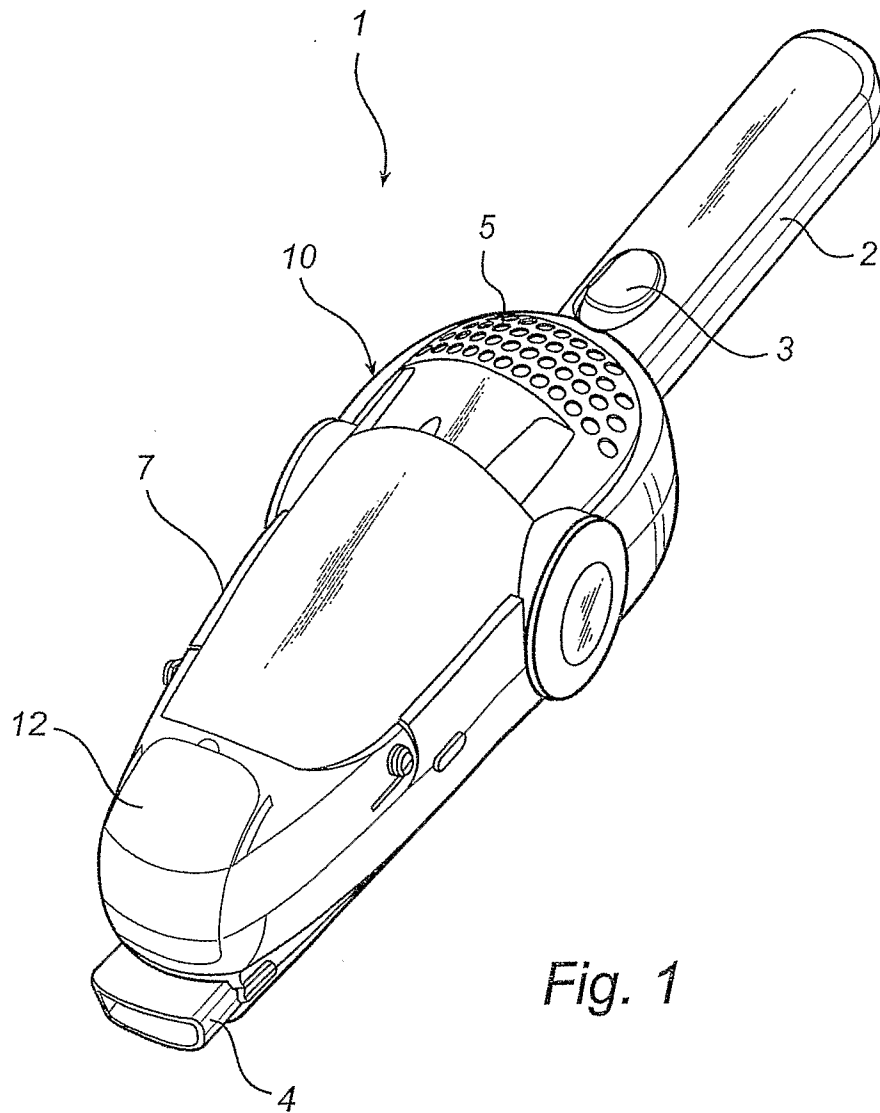


Fig. 1

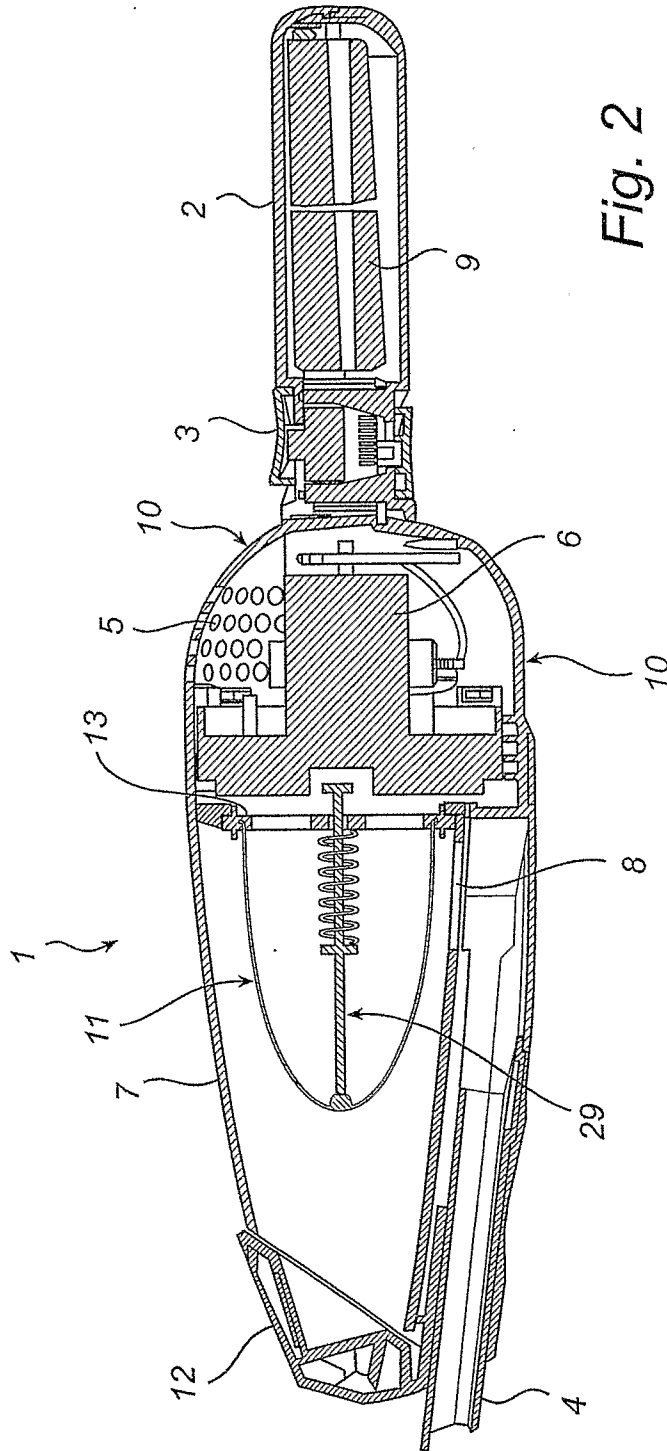


Fig. 2

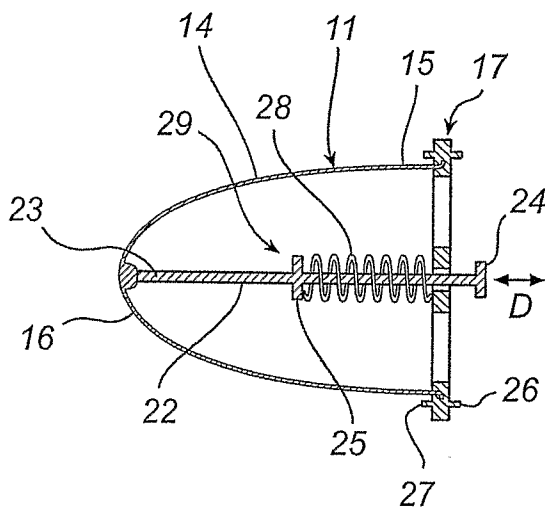


Fig. 3

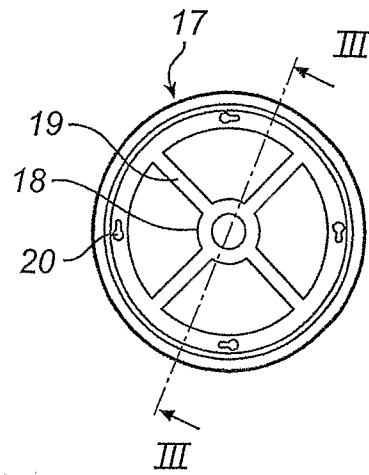


Fig. 4

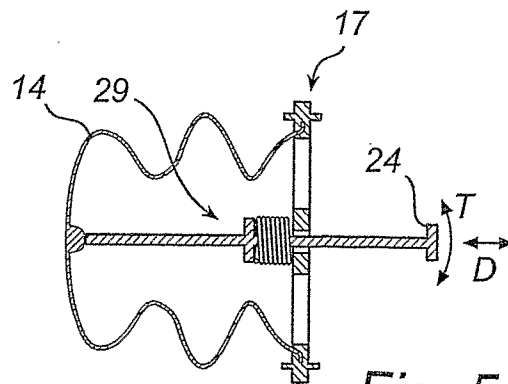


Fig. 5

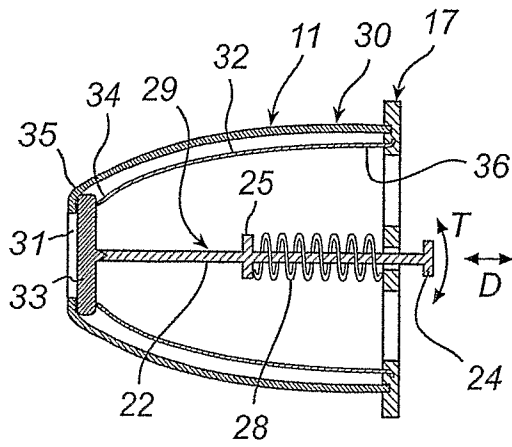


Fig. 6

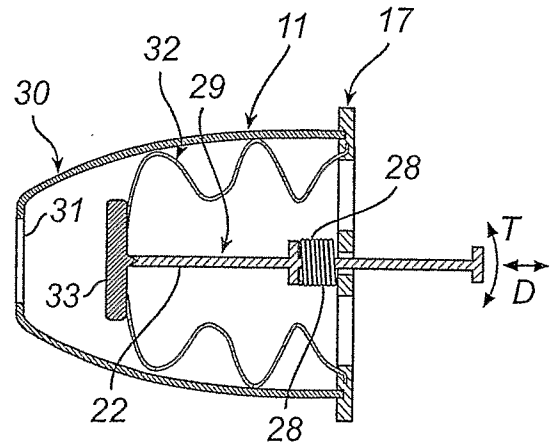


Fig. 7

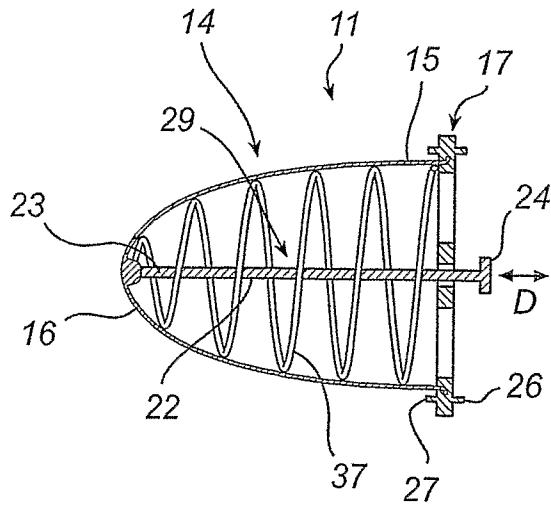


Fig. 8

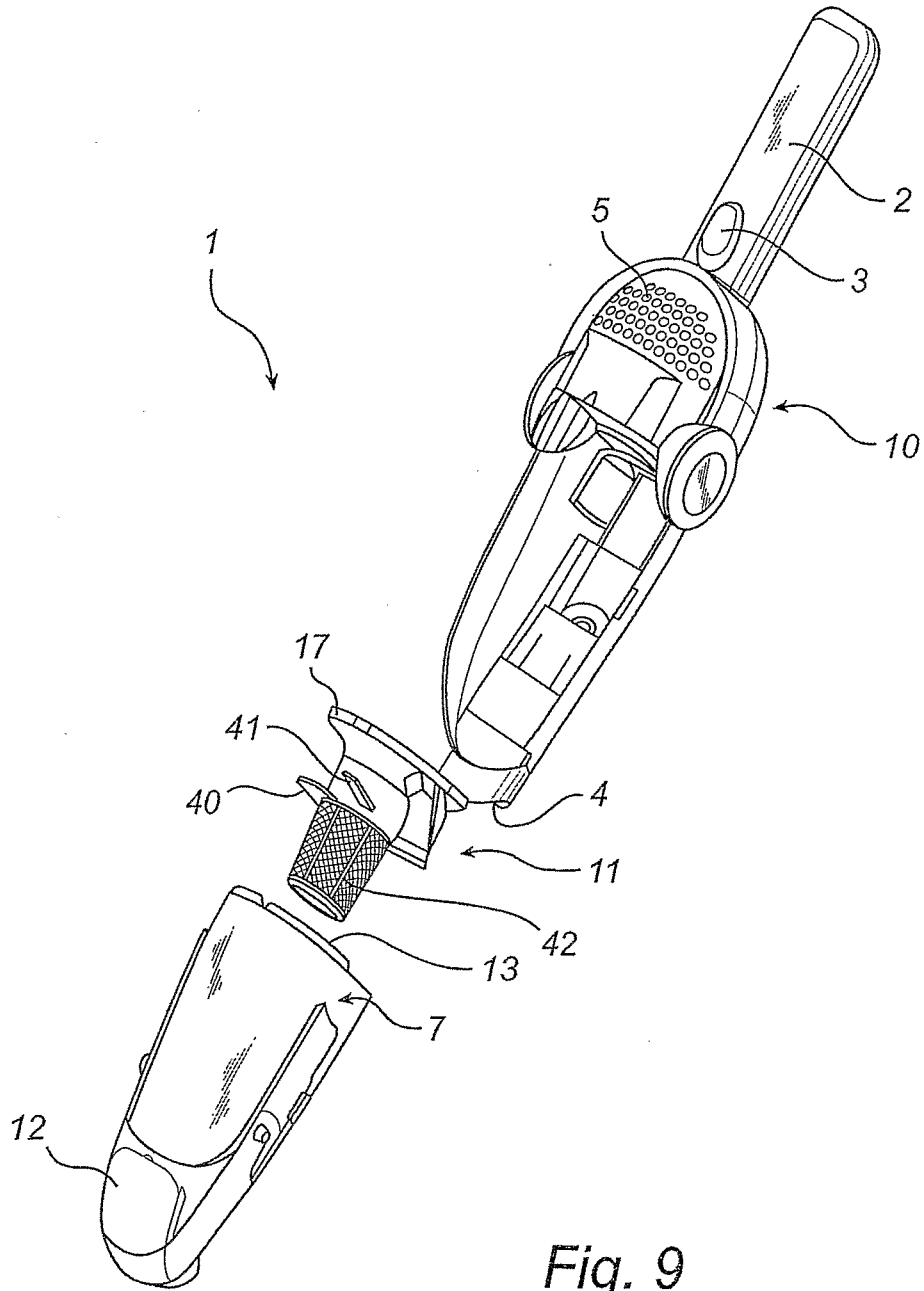


Fig. 9

INTERNATIONAL SEARCH REPORT

International application No.

PCT/SE2007/000334

A. CLASSIFICATION OF SUBJECT MATTER		
IPC: see extra sheet According to International Patent Classification (IPC) or to both national classification and IPC		
B. FIELDS SEARCHED		
Minimum documentation searched (classification system followed by classification symbols)		
IPC: A47L		
Documentation searched other than minimum documentation to the extent that such documents are included in the fields searched		
SE,DK,FI,NO classes as above		
Electronic data base consulted during the international search (name of data base and, where practicable, search terms used)		
EPO-INTERNAL, WPI DATA, PAJ		
C. DOCUMENTS CONSIDERED TO BE RELEVANT		
Category*	Citation of document, with indication, where appropriate, of the relevant passages	Relevant to claim No.
X	US 2558429 A (GERBER, DALE C.), 26 June 1951 (26.06.1951), figures 1-3 --	1-18
A	GB 107637 A (ASCOLI, LOUIS DANIEL), 4 July 1917 (04.07.1917), figures 1-9 --	1-18
A	US 2621757 A (ANDERSON, EMIL), 16 December 1952 (16.12.1952), figures 1-17 --	1-18
A	WO 2004069021 A1 (AKTIEBOLAGET ELEKTROLUX), 19 August 2004 (19.08.2004), figure 4, abstract -- -----	1-18
<input type="checkbox"/> Further documents are listed in the continuation of Box C. <input checked="" type="checkbox"/> See patent family annex.		
* Special categories of cited documents: "A" document defining the general state of the art which is not considered to be of particular relevance "E" earlier application or patent but published on or after the international filing date "L" document which may throw doubts on priority claim(s) or which is cited to establish the publication date of another citation or other special reason (as specified) "O" document referring to an oral disclosure, use, exhibition or other means "P" document published prior to the international filing date but later than the priority date claimed "T" later document published after the international filing date or priority date and not in conflict with the application but cited to understand the principle or theory underlying the invention "X" document of particular relevance: the claimed invention cannot be considered novel or cannot be considered to involve an inventive step when the document is taken alone "Y" document of particular relevance: the claimed invention cannot be considered to involve an inventive step when the document is combined with one or more other such documents, such combination being obvious to a person skilled in the art "&" document member of the same patent family		
Date of the actual completion of the international search		Date of mailing of the international search report
1 August 2007		02 -08- 2007
Name and mailing address of the ISA/ Swedish Patent Office Box 5055, S-102 42 STOCKHOLM Facsimile No. +46 8 666 02 86		Authorized officer Jan-Axel Ylivainio/CM Telephone No. +46 8 782 25 00

International patent classification (IPC)**A47L 9/20** (2006.01)**A47L 5/24** (2006.01)**A47L 9/10** (2006.01)**Download your patent documents at www.prv.se**

The cited patent documents can be downloaded at www.prv.se by following the links:

- In English/Searches and advisory services/Cited documents (service in English) or
- e-tjänster/anförda dokument(service in Swedish).

Use the application number as username.

The password is **MDWPXVEYIM**.

Paper copies can be ordered at a cost of 50 SEK per copy from PRV InterPat (telephone number 08-782 28 85).

Cited literature, if any, will be enclosed in paper form.

INTERNATIONAL SEARCH REPORT

Information on patent family members

30/06/2007

International application No.

PCT/SE2007/000334

US	2558429	A	26/06/1951	DE	927893	C	20/05/1955
				FR	954321	A	22/12/1949
				GB	656180	A	15/08/1951

GB	107637	A	04/07/1917	NONE			

US	2621757	A	16/12/1952	NONE			

WO	2004069021	A1	19/08/2004	AU	2003217106	A	00/00/0000
				BR	0407257	A	31/01/2006
				BR	PI0407257	A	31/01/2006
				EP	1594386	A	16/11/2005
				SE	0300355	D	00/00/0000
				US	20060179128	A	10/08/2006
