

(19) World Intellectual Property Organization  
International Bureau



(43) International Publication Date  
13 December 2007 (13.12.2007)

PCT

(10) International Publication Number  
WO 2007/143744 A3

- (51) International Patent Classification:  
G06F 19/00 (2006.01)
- (21) International Application Number:  
PCT/US2007/070778
- (22) International Filing Date: 8 June 2007 (08.06.2007)
- (25) Filing Language: English
- (26) Publication Language: English
- (30) Priority Data:  
60/812,568 10 June 2006 (10.06.2006) US  
11/760,451 8 June 2007 (08.06.2007) US
- (71) Applicant (for all designated States except US): ION  
GEOPHYSICAL CORPORATION [US/US]; 2105  
Citywest Boulevard, Suite 400, Houston, TX 77042-2839  
(US).

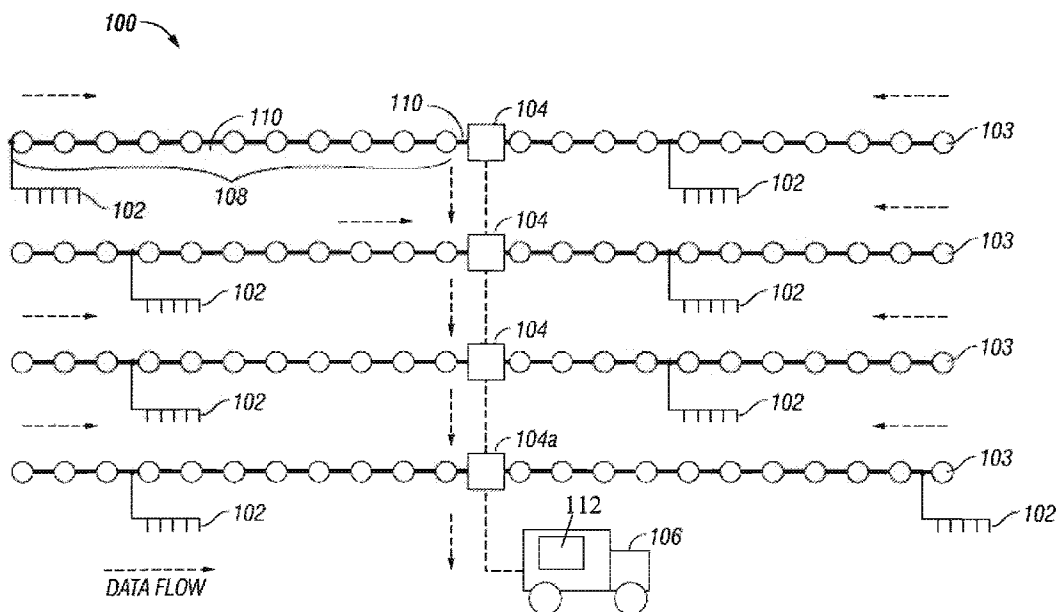
- (US). WILLIAMS, Martin, C. [US/US]; 890 Laurel Avenue, Boulder, CO 80303 (US). HOENMANS, Scott, T. [CA/US]; 5623 Tabor Court, Arvada, CO 80002 (US). BULL, Andrew [GB/GB]; 18 Albyn Drive, Scotland, Murieston West Lothian EWH54 9JN (GB). FAICHNEY, Alan [GB/GB]; 2 Heriot Row, Scotland, Edinburg (GB).
- (74) Agent: MADAN, Paul, S.; Madan, Mossman & Sriram, P.C., 2603 Augusta, Suite 700, Houston, TX 77057 (US).
- (81) Designated States (unless otherwise indicated, for every kind of national protection available): AE, AG, AL, AM, AT, AU, AZ, BA, BB, BG, BH, BR, BW, BY, BZ, CA, CH, CN, CO, CR, CU, CZ, DE, DK, DM, DO, DZ, EC, EE, EG, ES, FI, GB, GD, GE, GH, GM, GT, HN, HR, HU, ID, IL, IN, IS, JP, KE, KG, KM, KN, KP, KR, KZ, LA, LC, LK, LR, LS, LT, LU, LY, MA, MD, ME, MG, MK, MN, MW, MX, MY, MZ, NA, NG, NI, NO, NZ, OM, PG, PH, PL, PT, RO, RS, RU, SC, SD, SE, SG, SK, SL, SM, SV, SY, TJ, TM, TN, TR, TT, TZ, UA, UG, US, UZ, VC, VN, ZA, ZM, ZW.

- (72) Inventors; and
- (75) Inventors/Applicants (for US only): PAVEL, Dennis, R. [US/US]; 646 Highland Meadows Drive, Highland Village, TX 75077 (US). ELDER, Alfred, Keith [CA/US]; 1330 Woodfair Drive, Richmond, TX 77459 (US). EPER-JESI, Richard [HU/US]; 10502 Fountain Lake, Apt. 938, Stafford, TX 77477 (US). HOFLAND, Gregg, S. [US/US]; 16002 Crestrock Circle, Parker, CO 80134

- (84) Designated States (unless otherwise indicated, for every kind of regional protection available): ARIPO (BW, GH, GM, KE, LS, MW, MZ, NA, SD, SL, SZ, TZ, UG, ZM, ZW), Eurasian (AM, AZ, BY, KG, KZ, MD, RU, TJ, TM), European (AT, BE, BG, CH, CY, CZ, DE, DK, EE, ES, FI, FR, GB, GR, HU, IE, IS, IT, LT, LU, LV, MC, MT, NL, PL,

[Continued on next page]

(54) Title: APPARATUS AND METHOD FOR INTEGRATING SURVEY PARAMETERS INTO A HEADER



(57) Abstract: A method, apparatus and system for acquiring seismic data is disclosed that in one aspect receives a seismic signal detected by at least one sensor in response to a seismic energy signal generated by a source at a selected location at a data acquisition unit in data that is in data communication with the sensor, receives at least one parameter of the source and/or receiver at the data acquisition unit; and generates a data block at the data acquisition unit having data representative of the received seismic signal and a header that contains data representative of the at least one parameter of the source and/or receiver.

WO 2007/143744 A3



PT, RO, SE, SI, SK, TR), OAPI (BF, BJ, CF, CG, CI, CM,  
GA, GN, GQ, GW, ML, MR, NE, SN, TD, TG).

— *before the expiration of the time limit for amending the  
claims and to be republished in the event of receipt of  
amendments*

**Published:**


— *with international search report*

**(88) Date of publication of the international search report:**

10 April 2008

INTERNATIONAL SEARCH REPORT

International application No.  
PCT/US 07/0778

<p>A. CLASSIFICATION OF SUBJECT MATTER IPC(8) - G06F 19/00 (2007.10) USPC - 702/14 According to International Patent Classification (IPC) or to both national classification and IPC</p>																	
<p>B. FIELDS SEARCHED</p> <p>Minimum documentation searched (classification system followed by classification symbols) USPC: 702/14</p> <p>Documentation searched other than minimum documentation to the extent that such documents are included in the fields searched USPC: 702/2, 14, 108, 116, 127, 179; 703/5, 9, 12; 700/90, 91, 108; 340/500, 539.26, 545.3</p> <p>Electronic data base consulted during the international search (name of data base and, where practicable, search terms used) PubWEST(USPT,PGPB,EPAB,JPAB); Google Scholar Search Terms: seismic, data, track, detect, determine, monitor, parameter, network, server, header, generate, packet, trace, represent</p>																	
<p>C. DOCUMENTS CONSIDERED TO BE RELEVANT</p> <table border="1"> <thead> <tr> <th>Category*</th> <th>Citation of document, with indication, where appropriate, of the relevant passages</th> <th>Relevant to claim No.</th> </tr> </thead> <tbody> <tr> <td>Y</td> <td>US 2004/0267499 A1 (Barnes) 30 December 2004 (30.12.2004), para [0023], [0025]-[0027], [0040]</td> <td>1-25</td> </tr> <tr> <td>Y</td> <td>US 5,629,905 A (Lau) 13 May 1997 (13.05.1997), abstract, col 2, ln 39-40</td> <td>1-25</td> </tr> <tr> <td>A</td> <td>US 2005/0083784 A1 (Iseli et al.) 21 April 2005 (21.04.2005), entire document</td> <td>1-25</td> </tr> <tr> <td>A</td> <td>US 5,822,273 A (Bary et al.) 13 October 1998 (13.10.1998), entire document</td> <td>1-25</td> </tr> </tbody> </table>			Category*	Citation of document, with indication, where appropriate, of the relevant passages	Relevant to claim No.	Y	US 2004/0267499 A1 (Barnes) 30 December 2004 (30.12.2004), para [0023], [0025]-[0027], [0040]	1-25	Y	US 5,629,905 A (Lau) 13 May 1997 (13.05.1997), abstract, col 2, ln 39-40	1-25	A	US 2005/0083784 A1 (Iseli et al.) 21 April 2005 (21.04.2005), entire document	1-25	A	US 5,822,273 A (Bary et al.) 13 October 1998 (13.10.1998), entire document	1-25
Category*	Citation of document, with indication, where appropriate, of the relevant passages	Relevant to claim No.															
Y	US 2004/0267499 A1 (Barnes) 30 December 2004 (30.12.2004), para [0023], [0025]-[0027], [0040]	1-25															
Y	US 5,629,905 A (Lau) 13 May 1997 (13.05.1997), abstract, col 2, ln 39-40	1-25															
A	US 2005/0083784 A1 (Iseli et al.) 21 April 2005 (21.04.2005), entire document	1-25															
A	US 5,822,273 A (Bary et al.) 13 October 1998 (13.10.1998), entire document	1-25															
<p><input type="checkbox"/> Further documents are listed in the continuation of Box C. <input type="checkbox"/></p>																	
<p>* Special categories of cited documents:</p> <table border="0"> <tr> <td>"A" document defining the general state of the art which is not considered to be of particular relevance</td> <td>"T" later document published after the international filing date or priority date and not in conflict with the application but cited to understand the principle or theory underlying the invention</td> </tr> <tr> <td>"E" earlier application or patent but published on or after the international filing date</td> <td>"X" document of particular relevance; the claimed invention cannot be considered novel or cannot be considered to involve an inventive step when the document is taken alone</td> </tr> <tr> <td>"L" document which may throw doubts on priority claim(s) or which is cited to establish the publication date of another citation or other special reason (as specified)</td> <td>"Y" document of particular relevance; the claimed invention cannot be considered to involve an inventive step when the document is combined with one or more other such documents, such combination being obvious to a person skilled in the art</td> </tr> <tr> <td>"O" document referring to an oral disclosure, use, exhibition or other means</td> <td>"&amp;" document member of the same patent family</td> </tr> <tr> <td>"P" document published prior to the international filing date but later than the priority date claimed</td> <td></td> </tr> </table>			"A" document defining the general state of the art which is not considered to be of particular relevance	"T" later document published after the international filing date or priority date and not in conflict with the application but cited to understand the principle or theory underlying the invention	"E" earlier application or patent but published on or after the international filing date	"X" document of particular relevance; the claimed invention cannot be considered novel or cannot be considered to involve an inventive step when the document is taken alone	"L" document which may throw doubts on priority claim(s) or which is cited to establish the publication date of another citation or other special reason (as specified)	"Y" document of particular relevance; the claimed invention cannot be considered to involve an inventive step when the document is combined with one or more other such documents, such combination being obvious to a person skilled in the art	"O" document referring to an oral disclosure, use, exhibition or other means	"&" document member of the same patent family	"P" document published prior to the international filing date but later than the priority date claimed						
"A" document defining the general state of the art which is not considered to be of particular relevance	"T" later document published after the international filing date or priority date and not in conflict with the application but cited to understand the principle or theory underlying the invention																
"E" earlier application or patent but published on or after the international filing date	"X" document of particular relevance; the claimed invention cannot be considered novel or cannot be considered to involve an inventive step when the document is taken alone																
"L" document which may throw doubts on priority claim(s) or which is cited to establish the publication date of another citation or other special reason (as specified)	"Y" document of particular relevance; the claimed invention cannot be considered to involve an inventive step when the document is combined with one or more other such documents, such combination being obvious to a person skilled in the art																
"O" document referring to an oral disclosure, use, exhibition or other means	"&" document member of the same patent family																
"P" document published prior to the international filing date but later than the priority date claimed																	
<p>Date of the actual completion of the international search 01 December 2007 (01.12.2007)</p>		<p>Date of mailing of the international search report <b>14 FEB 2008</b></p>															
<p>Name and mailing address of the ISA/US Mail Stop PCT, Attn: ISA/US, Commissioner for Patents P.O. Box 1450, Alexandria, Virginia 22313-1450 Facsimile No. 571-273-3201</p>		<p>Authorized officer: Lee W. Young  PCT Helpdesk: 571-272-4300 PCT OSP: 571-272-7774</p>															