



US0D1046136S

(12) **United States Design Patent**
Reil et al.

(10) **Patent No.:** **US D1,046,136 S**
(45) **Date of Patent:** **** Oct. 8, 2024**

(54) **DISPOSABLE HAND OPERATED
CARTRIDGE BODY PIERCING
INSTRUMENT**

D242,392 S * 11/1976 Moore D24/146
4,030,507 A 6/1977 Mann
4,146,032 A 3/1979 Rubenstein et al.
4,474,572 A 10/1984 McNaughton et al.

(Continued)

(71) Applicant: **Goran Reil**, Gardena, CA (US)

(72) Inventors: **Vladimir Reil**, Rancho Palos Verdes,
CA (US); **Goran Reil**, Las Vegas, NV
(US)

(**) Term: **15 Years**

(21) Appl. No.: **29/887,460**

(22) Filed: **Mar. 21, 2023**

Related U.S. Application Data

(60) Continuation of application No. 16/776,380, filed on
Jan. 29, 2020, now Pat. No. 11,638,469, which is a
division of application No. 15/276,609, filed on Sep.
26, 2016, now Pat. No. 10,548,376.

(51) **LOC (14) Cl.** **24-02**

(52) **U.S. Cl.**
USPC **D24/146**
CPC **A44C 7/001** (2013.01); **A44C 7/00**
(2013.01); **A61B 17/00** (2013.01); **A61B 17/34**
(2013.01); **A61B 2017/0023** (2013.01)

(58) **Field of Classification Search**
USPC D24/100, 105, 107, 108, 110, 111, 112,
D24/113, 114, 115, 116, 117, 118, 119,
D24/140, 141, 144, 127, 130, 133, 146,
D24/147, 223, 224, 228; D28/7
CPC A44C 7/001; A44C 15/0035; A44C 7/00;
A44C 7/003; A61B 17/00; A61B 17/34;
A61B 2017/0023
See application file for complete search history.

(56) **References Cited**

U.S. PATENT DOCUMENTS

3,943,935 A 3/1976 Cameron
D241,175 S * 8/1976 Mann D24/146

OTHER PUBLICATIONS

Studex System 75 Pistol Professional Piercing Machine Silence Ear
Piercer <https://www.buzzufy.com/studex-system-75-pistol-professional-piercing-machine-silence-ear-piercer.html> Mar. 31, 2023 (Year: 2023).*

(Continued)

Primary Examiner — Michael C Stout
Assistant Examiner — Thanh Luu Wong
(74) *Attorney, Agent, or Firm* — Canady & Lortz LLP;
Bradley K. Lortz

(57) **CLAIM**

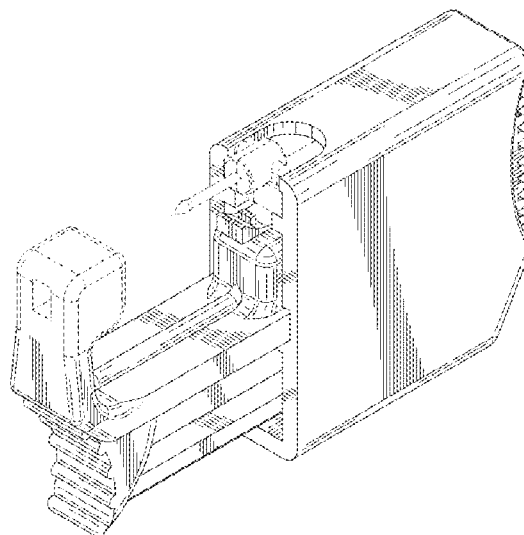
The ornamental design for a disposable hand operated
cartridge body piercing instrument, as shown and described.

DESCRIPTION

FIG. 1 is a perspective view of a disposable hand operated
cartridge body piercing instrument, showing the new design;
FIG. 2 is a rear lower perspective view thereof;
FIG. 3 is a front elevation view thereof, where the rear
elevation view is a mirror image of the front elevation view;
FIG. 4 is a right elevation view thereof;
FIG. 5 is a rear elevation view thereof, where the front
elevation view is a mirror image of the rear elevation view;
FIG. 6 is a left elevation view thereof;
FIG. 7 is a top plan view thereof; and,
FIG. 8 is a bottom plan view.

The broken lines shown in FIGS. 1-7 illustrate portions of
the disposable hand operated cartridge body piercing instru-
ment that form no part of the claimed design.

1 Claim, 5 Drawing Sheets



(56)

References Cited

U.S. PATENT DOCUMENTS

4,527,563 A 7/1985 Reil
 5,004,471 A 4/1991 Mann
 5,007,918 A * 4/1991 Mann A44C 7/001
 63/13
 5,263,960 A 11/1993 Mann
 D347,895 S * 6/1994 Mann D24/140
 5,350,394 A * 9/1994 Mann A44C 7/001
 606/188
 5,389,105 A 2/1995 Mann
 5,395,381 A 3/1995 Green et al.
 D366,316 S * 1/1996 Reil D24/146
 5,496,343 A 3/1996 Reil
 5,499,993 A 3/1996 Blomdahl et al.
 D384,302 S 9/1997 Reil
 5,709,700 A 1/1998 Hirota
 D392,042 S * 3/1998 Reil D24/146
 5,792,170 A 8/1998 Reil
 5,868,774 A 2/1999 Reil
 5,913,869 A 6/1999 Reil
 5,925,057 A * 7/1999 Blomdahl A44C 7/001
 606/188
 6,036,712 A 3/2000 Blomdahl
 6,048,355 A * 4/2000 Mann A44C 7/001
 606/181

D424,695 S * 5/2000 Reil D24/146
 6,074,406 A 6/2000 Mann
 6,099,545 A 8/2000 Mann et al.
 D430,933 S * 9/2000 Reil D24/146
 6,599,306 B1 * 7/2003 Reil A44C 7/001
 606/188
 7,955,349 B2 6/2011 Reil
 D823,467 S * 7/2018 Uetz D24/147
 10,548,376 B2 * 2/2020 Reil A44C 7/001
 10,798,999 B2 * 10/2020 Reil A44C 7/001
 D970,008 S * 11/2022 Reil A44C 7/001
 D24/146
 2018/0055160 A1 * 3/2018 Reil A61B 17/00
 2018/0343988 A1 * 12/2018 Reil A44C 7/001

OTHER PUBLICATIONS

Lishae Self Ear Piercing Gun https://www.amazon.com/Piercing-Disposable-Pericings-Built-Pierce/dp/B089VNB6KH/ref=asc_df_B089VNB6KH/?tag=hyprod-20&linkCode=df0&hvadid=491589519774&hvpos=&hvnetw=g&hvrnd=2761337040715231110&hvpone=&hvptwo=&hvqmt=&hvdev=c&hvdvcmld=&hvlocint=&hvlcophy=9059726&hvtargid=pla-1164083427048&psc=1 Mar. 3, 2021 (Year: 2021).*

* cited by examiner

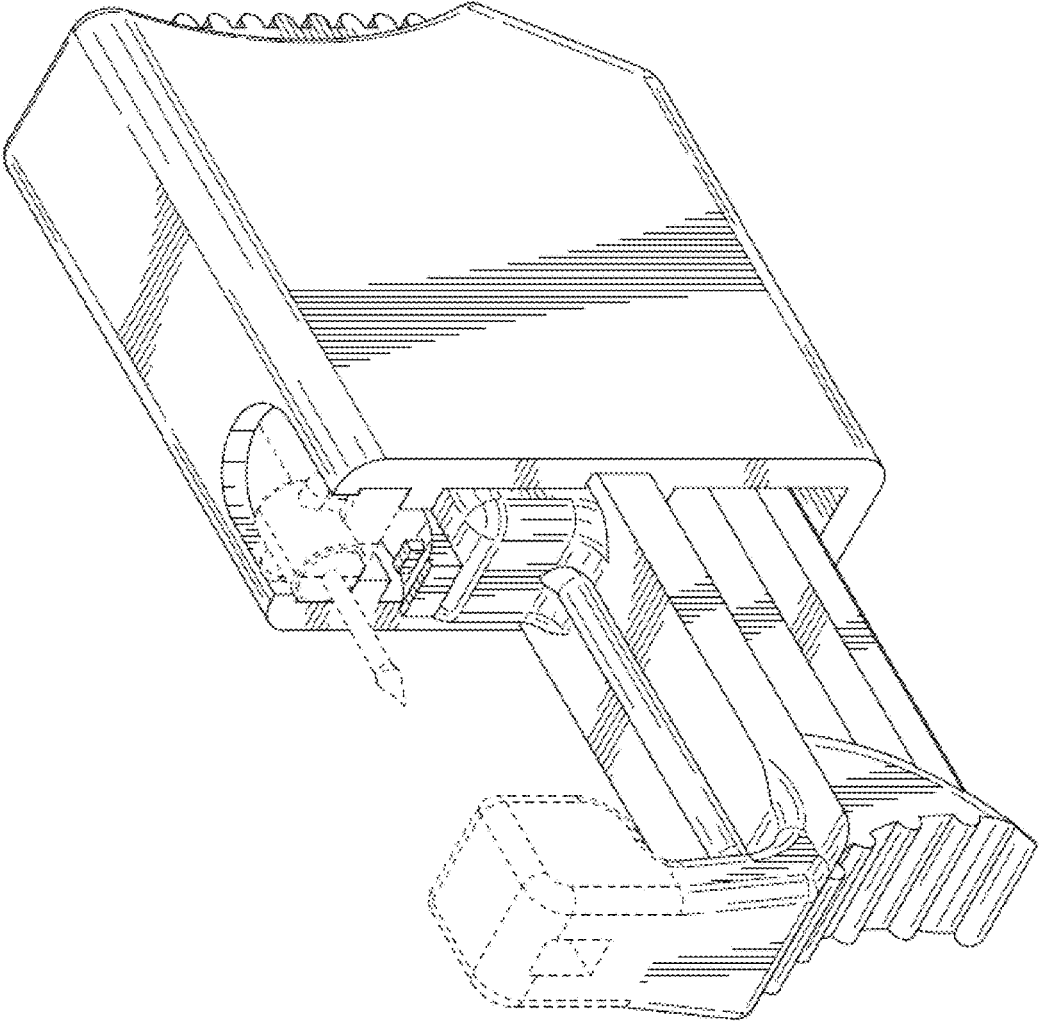


FIG. 1

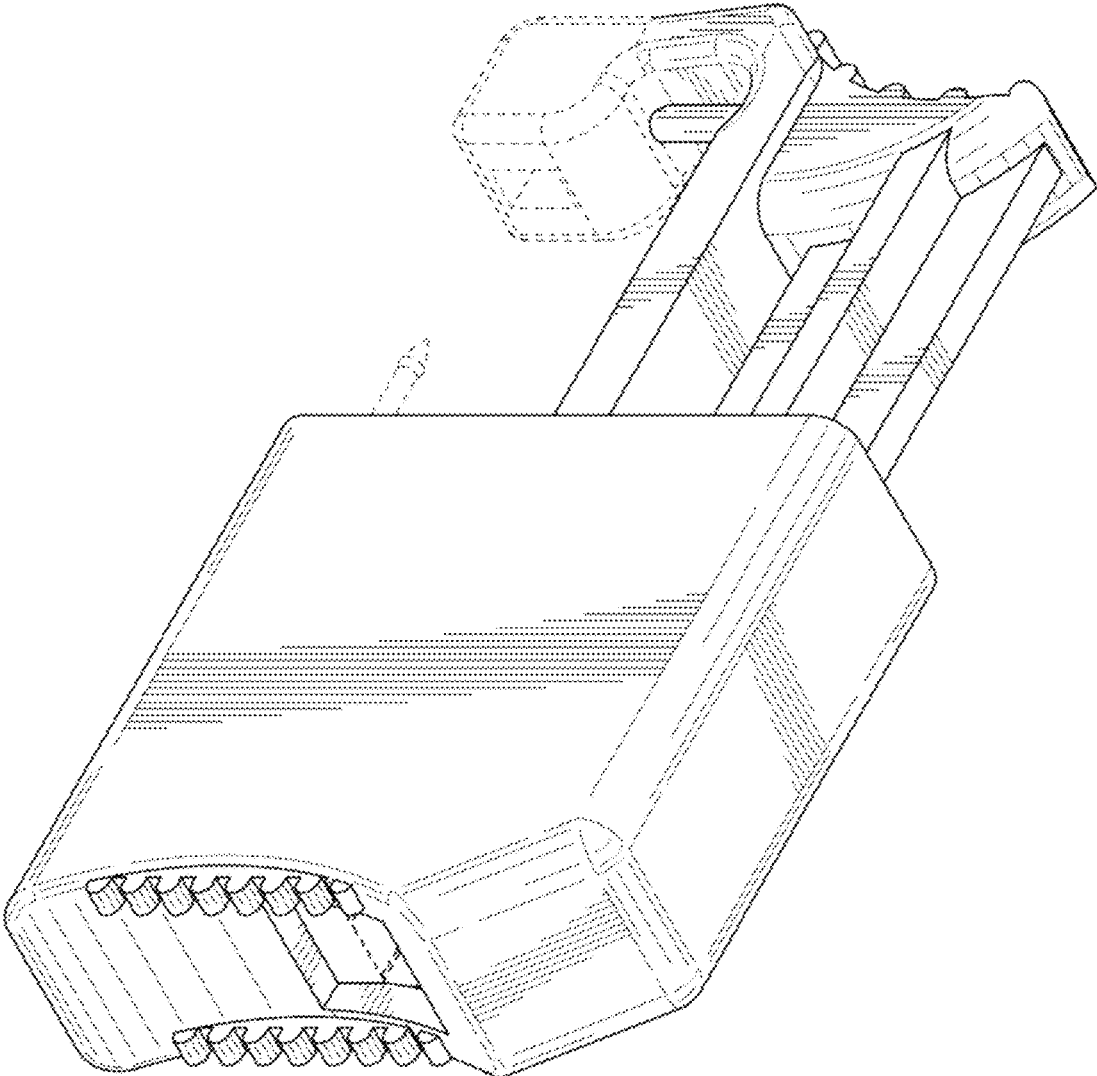


FIG. 2

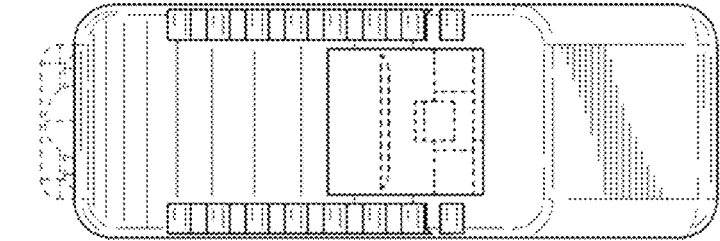


FIG. 4

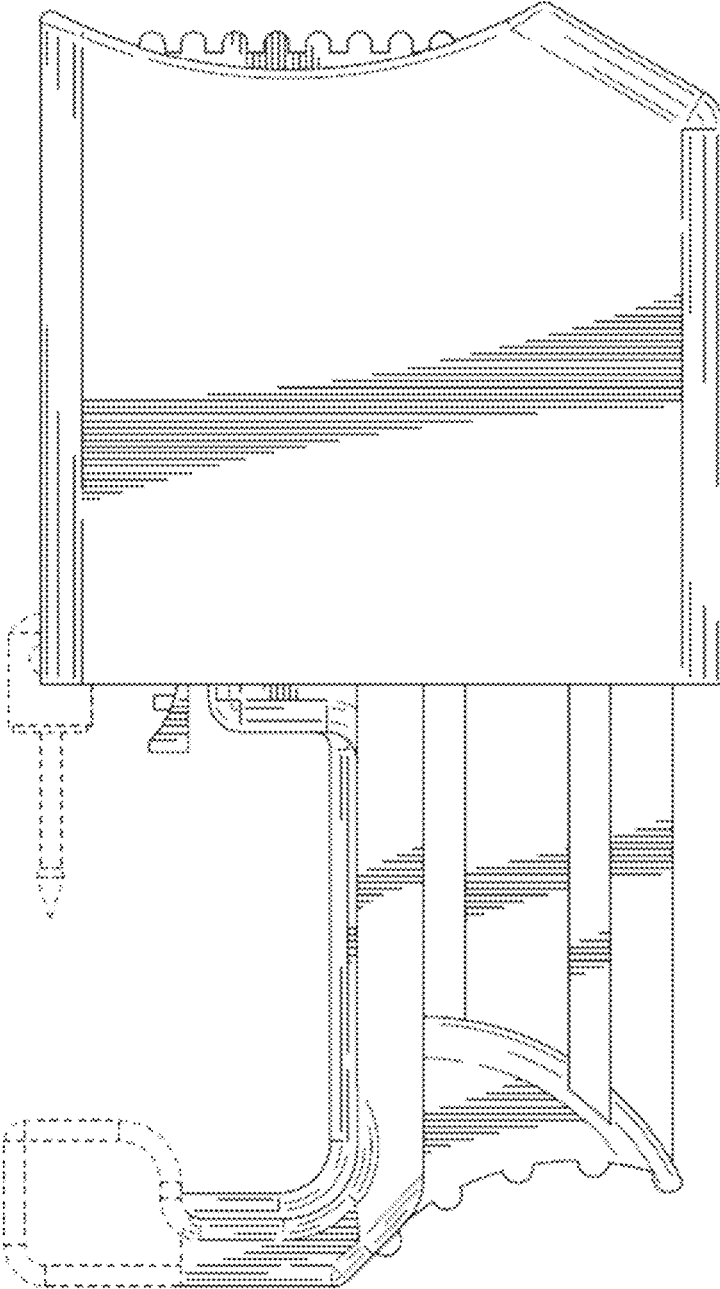


FIG. 3

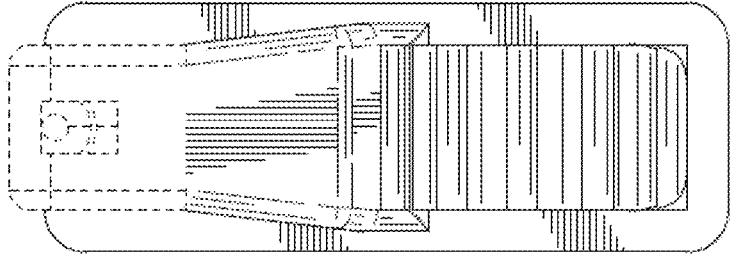


FIG. 6

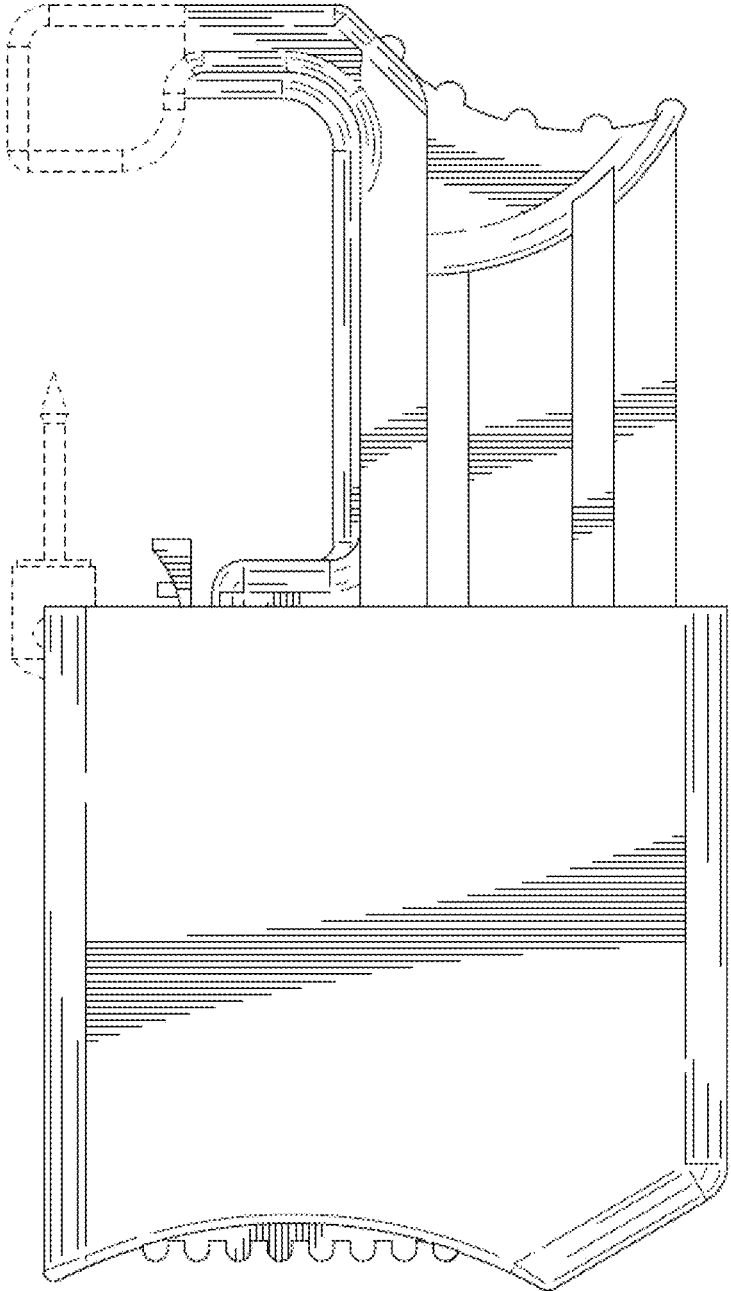


FIG. 5

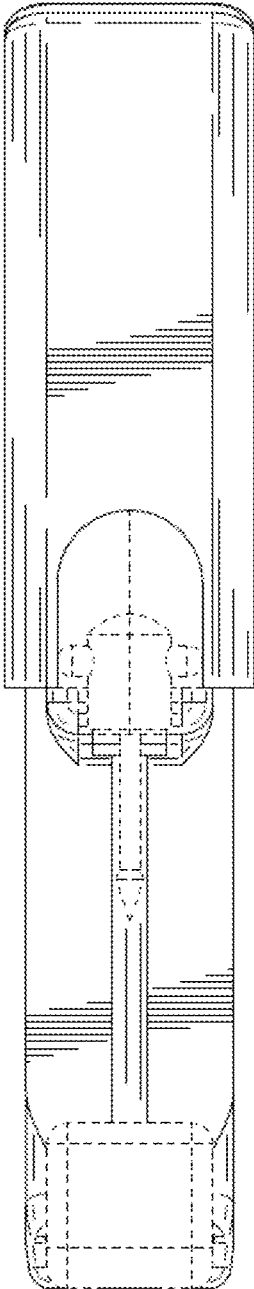


FIG. 7

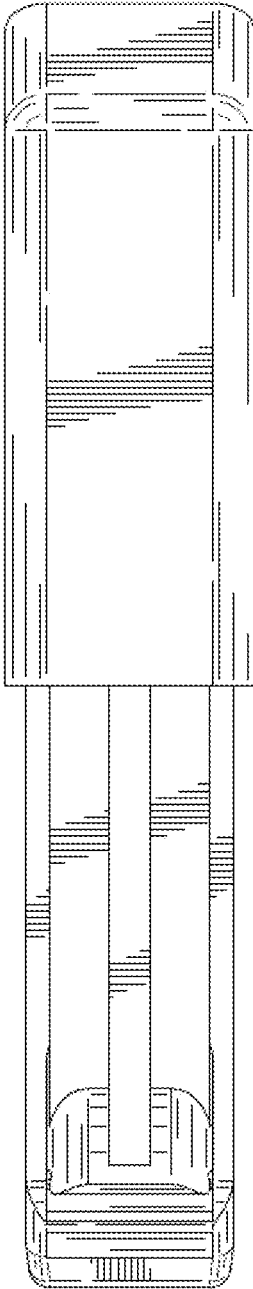


FIG. 8