



(12) **United States Design Patent**
Christensen et al.

(10) **Patent No.:** **US D743,339 S**
(45) **Date of Patent:** **** Nov. 17, 2015**

- (54) **FEMALE ELECTRICAL CONNECTOR**
- (71) Applicant: **TRAXXAS LP**, McKinney, TX (US)
- (72) Inventors: **Casey Christen Jens Christensen**,
McKinney, TX (US); **Kent Poteet**,
Lucas, TX (US); **Otto Karl**
Allmendinger, Rowlett, TX (US)
- (73) Assignee: **TRAXXAS LP**, McKinney, TX (US)
- (**) Term: **14 Years**
- (21) Appl. No.: **29/497,276**
- (22) Filed: **Jul. 22, 2014**

- (51) **LOC (10) Cl.** **13-03**
- (52) **U.S. Cl.**
USPC **D13/133**
- (58) **Field of Classification Search**
USPC D13/110, 118-120, 123, 133, 146, 147,
D13/149, 154, 184, 199
CPC H01R 13/00; H01R 13/15; H01R 13/44;
H01R 13/64; H01R 13/642; H01R 24/00;
H01R 25/00
See application file for complete search history.

(56) **References Cited**

U.S. PATENT DOCUMENTS

D179,946	S	*	3/1957	Kerr	D13/110
D494,933	S	*	8/2004	Lu	D13/133
D552,560	S	*	10/2007	Victor	D13/133
7,374,460	B1	*	5/2008	Hariharyesan	H01R 13/187 439/679
D573,536	S	*	7/2008	Hariharyesan	D13/133
D576,557	S	*	9/2008	Hariharyesan	D13/133
D577,671	S	*	9/2008	Schnitzler	D13/133
D589,881	S	*	4/2009	Kok	D13/133

(Continued)

Primary Examiner — Thomas Johannes
Assistant Examiner — Shawn T Gingrich
(74) *Attorney, Agent, or Firm* — CARR Law Firm PLLC

(57) **CLAIM**

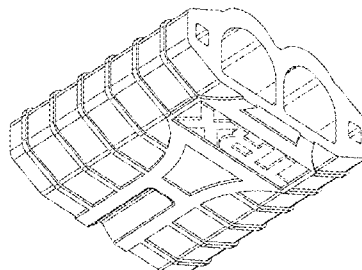
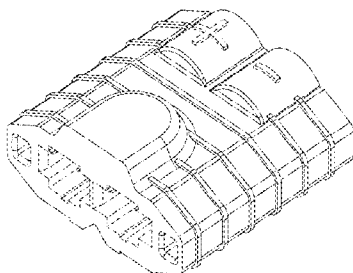
We claim the ornamental design for a female electrical connector, as shown and described.

DESCRIPTION

FIG. 1 is a, top, right, front perspective view of a first embodiment of a female electrical connector;
 FIG. 2 is a bottom, left, rear perspective view thereof;
 FIG. 3 is a top, left, rear perspective view thereof;
 FIG. 4 is a bottom, right, front perspective view thereof;
 FIG. 5 is a top plan view thereof;
 FIG. 6 is a bottom plan view thereof;
 FIG. 7 is a front elevation view thereof;
 FIG. 8 is a rear elevation view thereof;
 FIG. 9 is a left side elevation view thereof;
 FIG. 10 is a right side elevation view thereof;
 FIG. 11 is a, top, right, front perspective view of a second embodiment of a female electrical connector;
 FIG. 12 is a bottom, left, rear perspective view thereof;
 FIG. 13 is a top, left, rear perspective view thereof;
 FIG. 14 is a bottom, right, front perspective view thereof;
 FIG. 15 is a top plan view thereof;
 FIG. 16 is a bottom plan view thereof;
 FIG. 17 is a front elevation view thereof;
 FIG. 18 is a rear elevation view thereof;
 FIG. 19 is a left side elevation view thereof;
 FIG. 20 is a right side elevation view thereof;
 FIG. 21 is a, top, right, front perspective view of a third embodiment of a female electrical connector;
 FIG. 22 is a bottom, left, rear perspective view thereof;
 FIG. 23 is a top, left, rear perspective view thereof;
 FIG. 24 is a bottom, right, front perspective view thereof;
 FIG. 25 is a top plan view thereof;
 FIG. 26 is a bottom plan view thereof;
 FIG. 27 is a front elevation view thereof;
 FIG. 28 is a rear elevation view thereof;
 FIG. 29 is a left side elevation view thereof; and,
 FIG. 30 is a right side elevation view thereof.

The broken line portion of the figure drawings is included to show portions of the article that form no part of the claimed design.

1 Claim, 12 Drawing Sheets



US D743,339 S

Page 2

(56)

References Cited

U.S. PATENT DOCUMENTS

D659,640 S *	5/2012	Tseng	D13/133	2011/0003512 A1 *	1/2011	Bower	H01R 13/642 439/627
D662,889 S *	7/2012	Smith	D13/146	2015/0126075 A1 *	5/2015	Chen	H01R 13/642 439/678
D665,748 S *	8/2012	Baker	D13/133				

* cited by examiner

FIG. 1

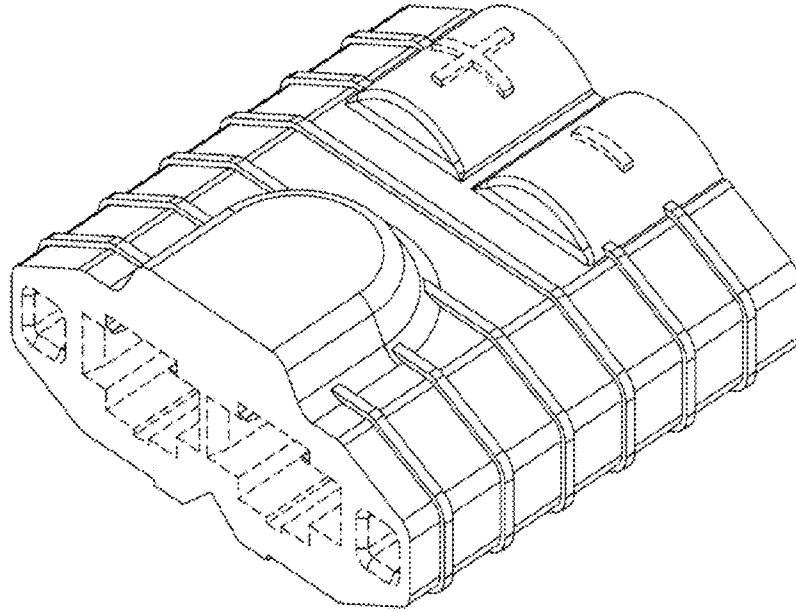


FIG. 2

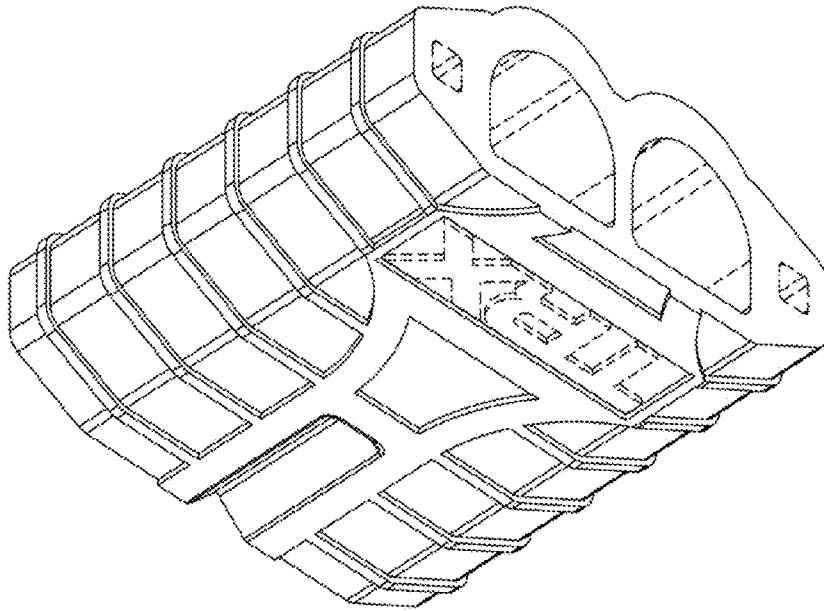


FIG. 3

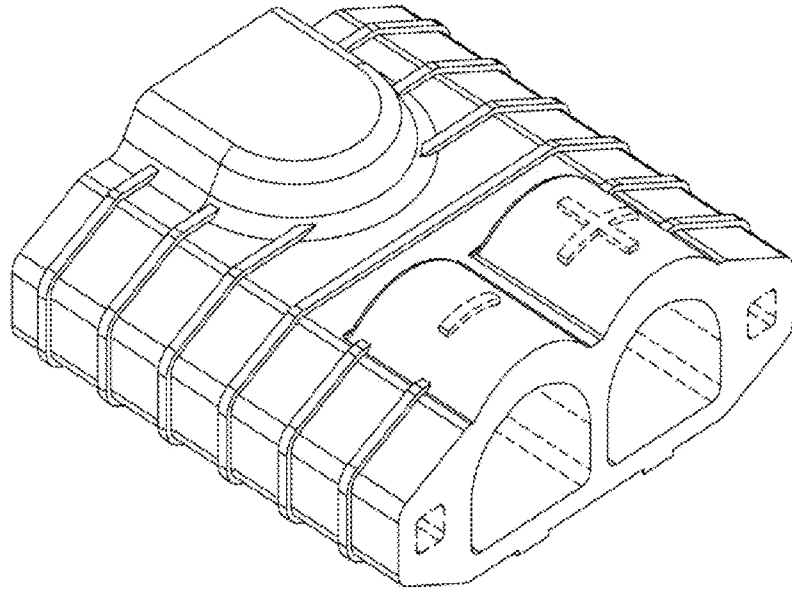


FIG. 4

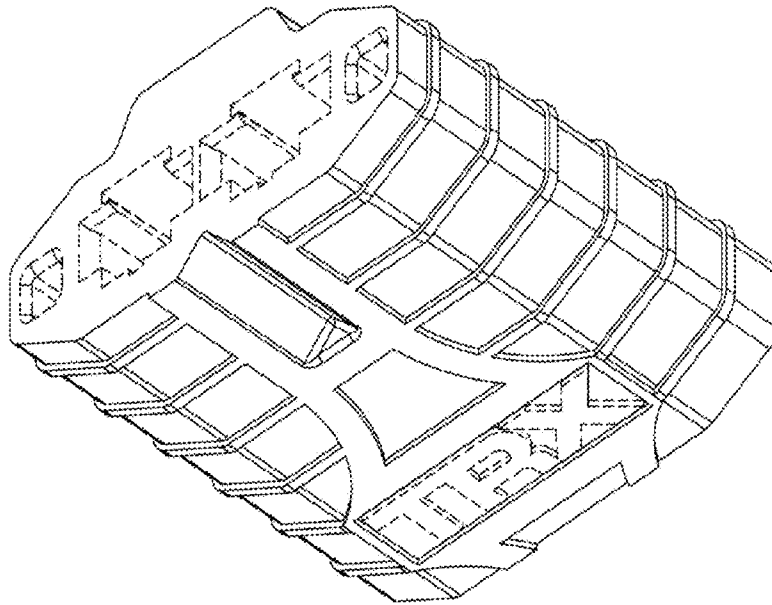


FIG. 5

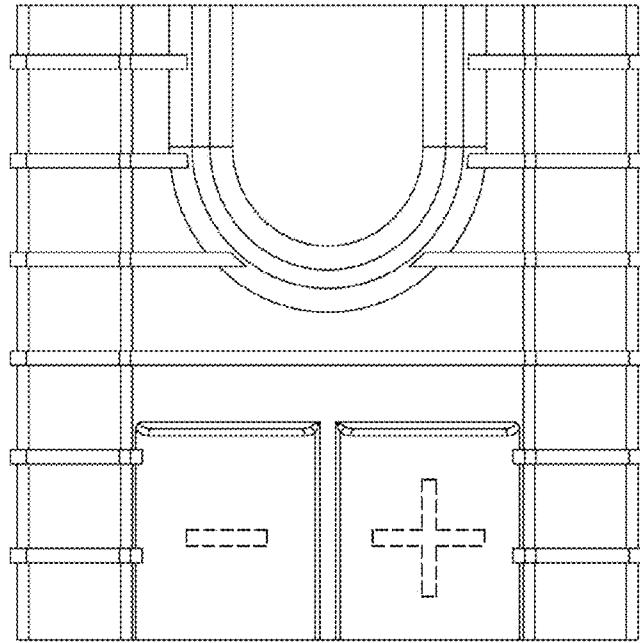


FIG. 6

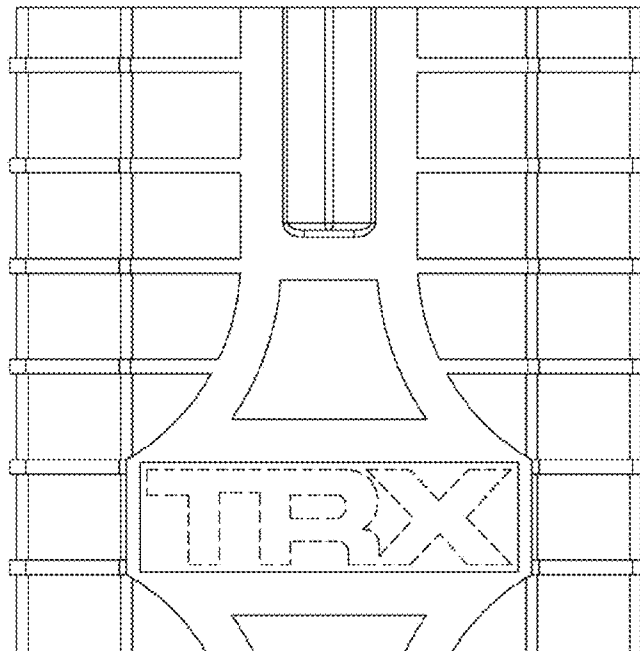


FIG. 7

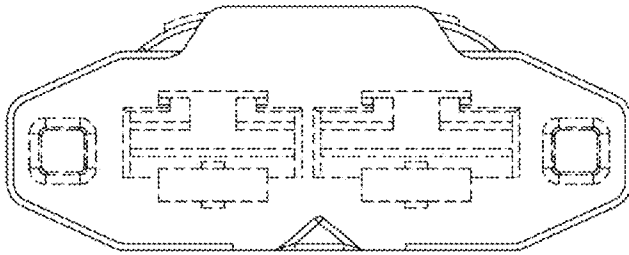


FIG. 8

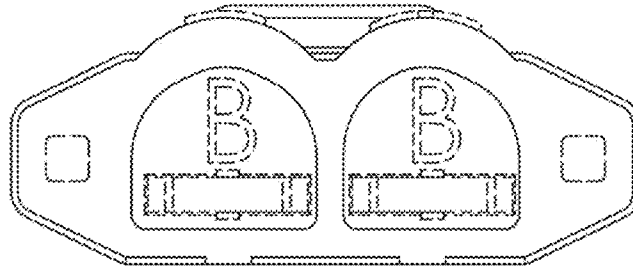


FIG. 9

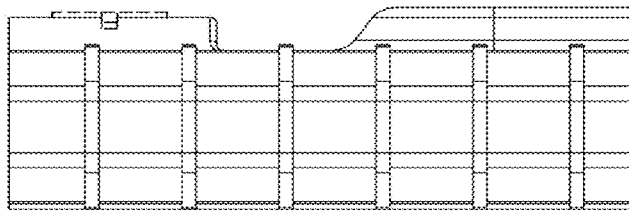


FIG. 10

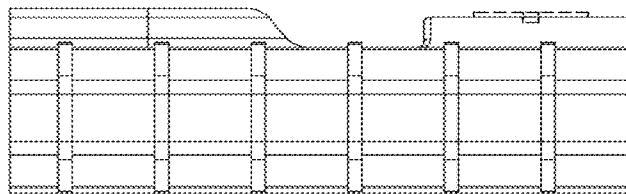


FIG. 11

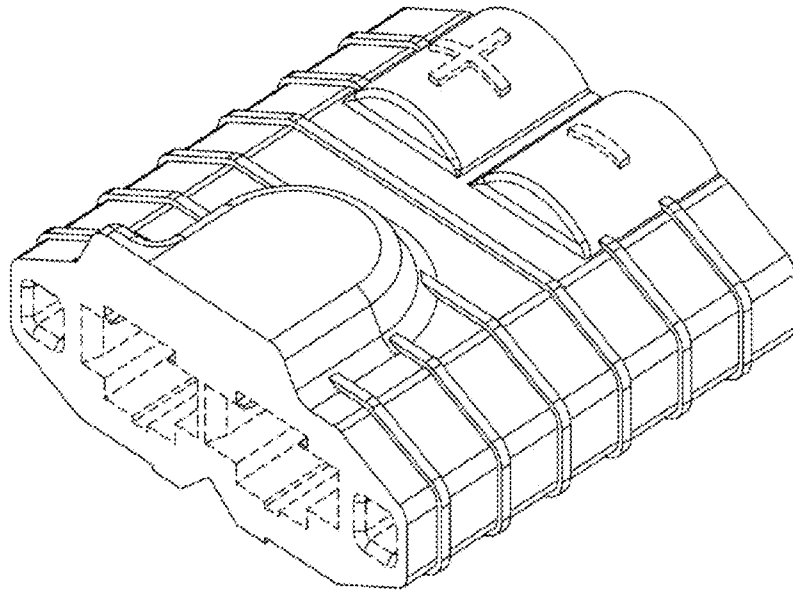


FIG. 12

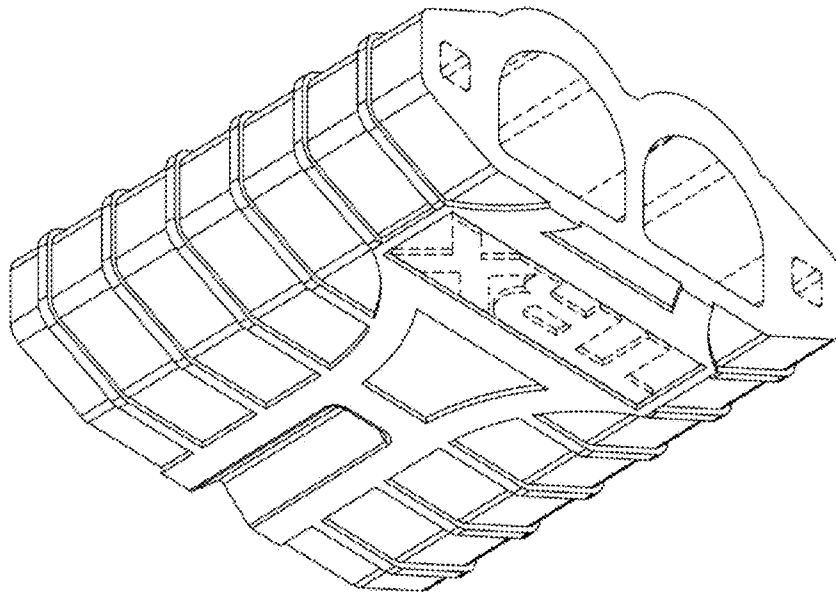


FIG. 13

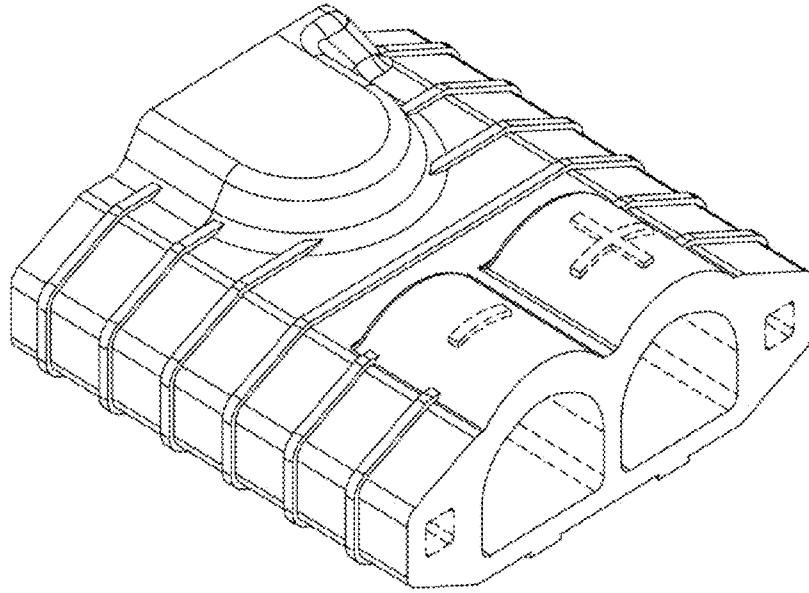


FIG. 14

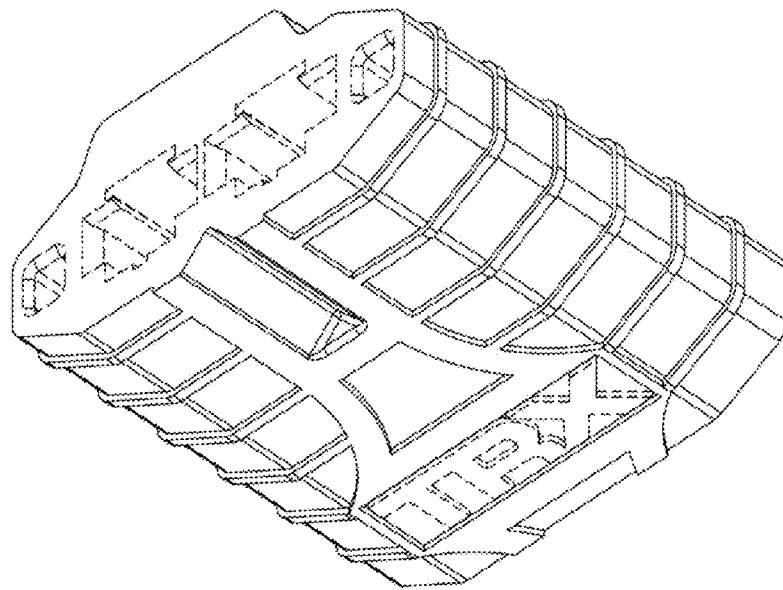


FIG. 15

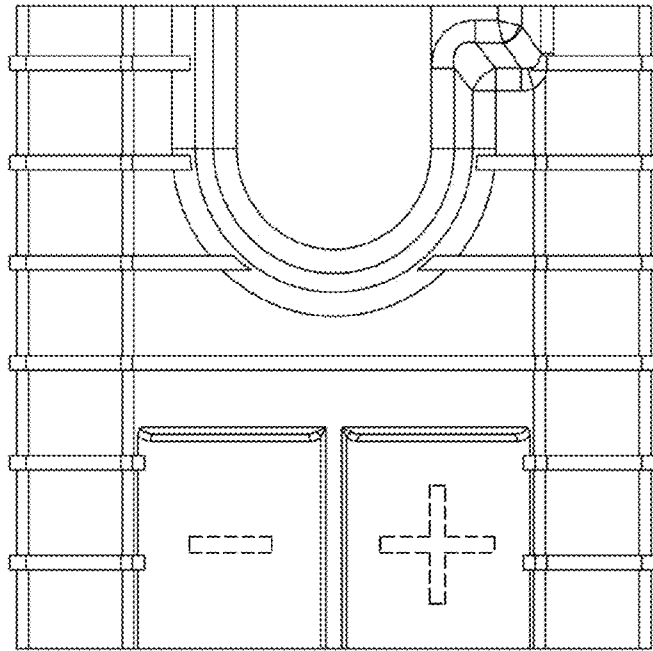


FIG. 16

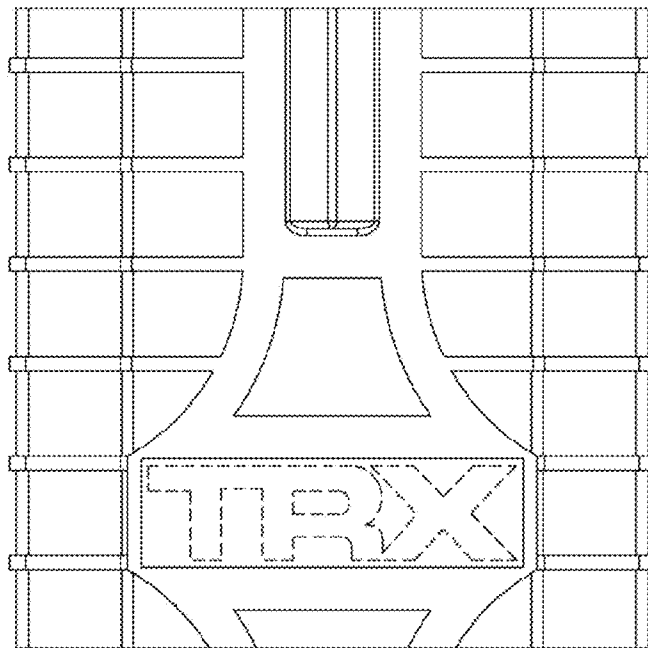


FIG. 17

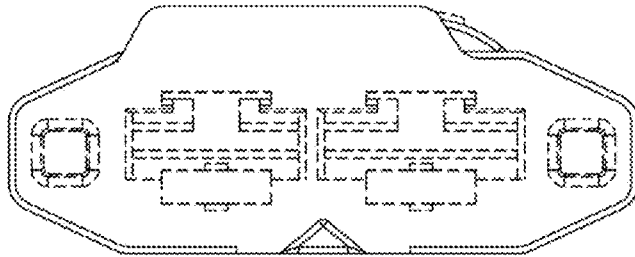


FIG. 18

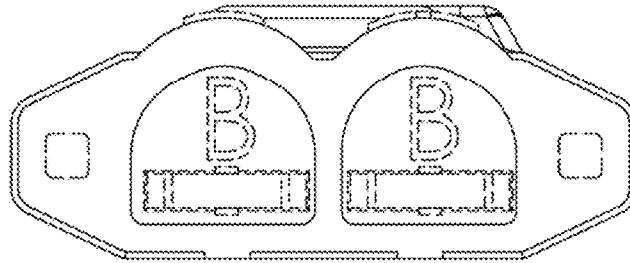


FIG. 19

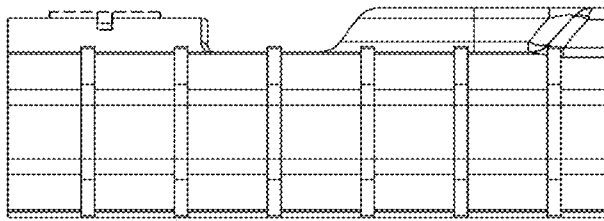


FIG. 20

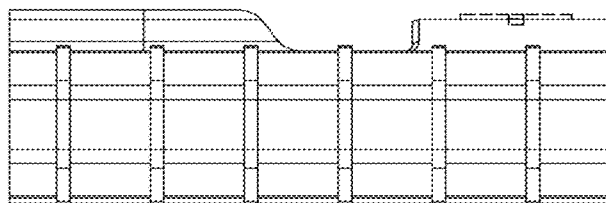


FIG. 21

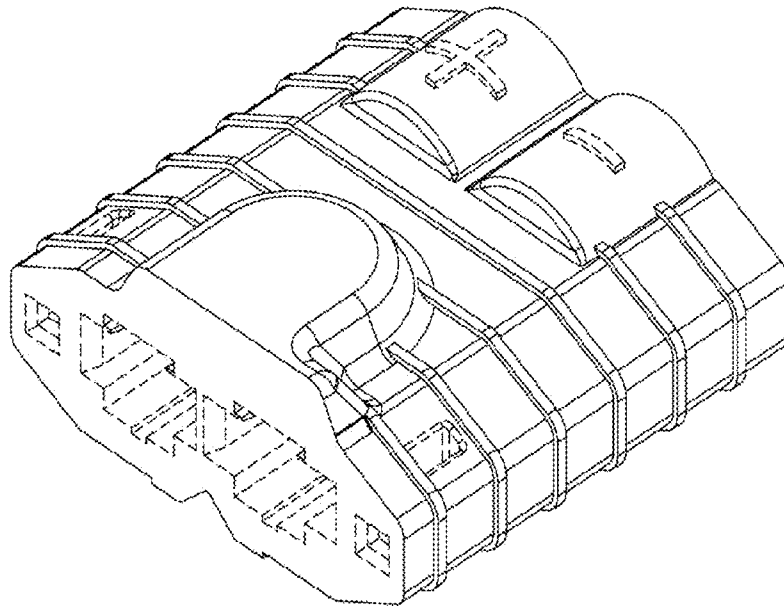


FIG. 22

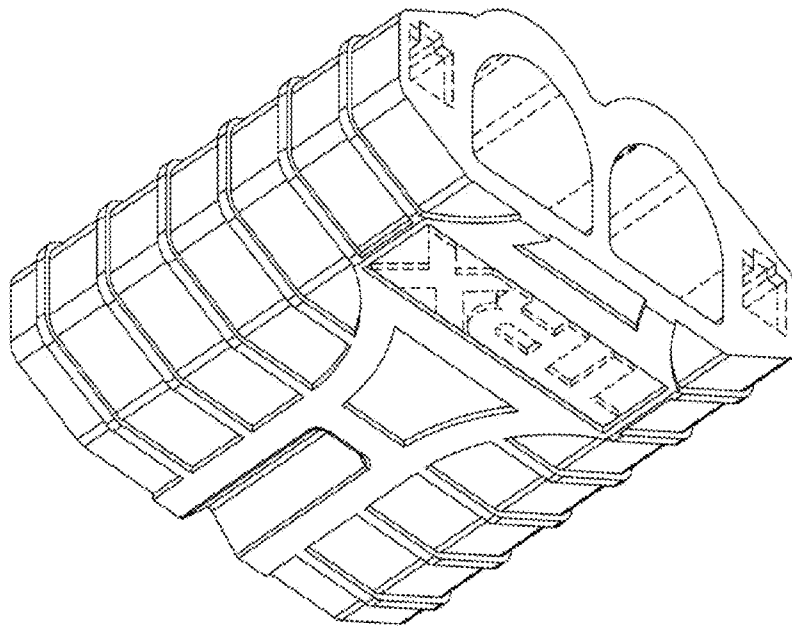


FIG. 23

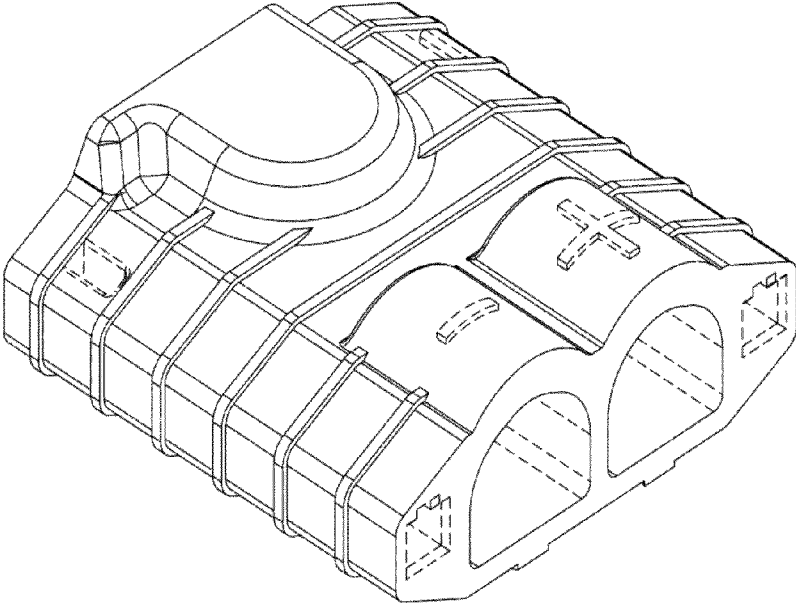


FIG. 24

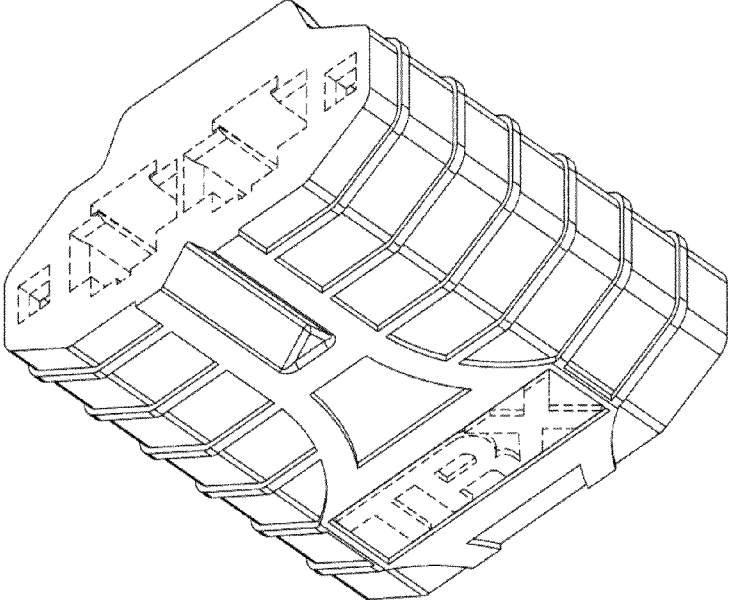


FIG. 25

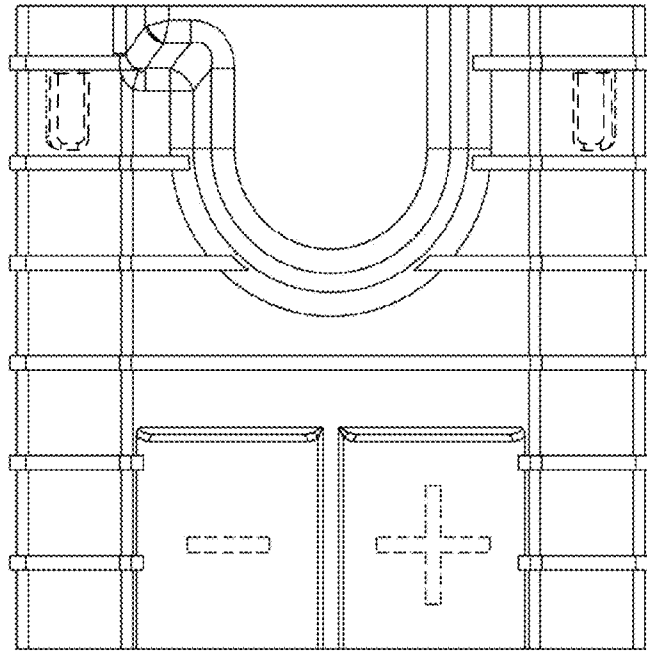


FIG. 26

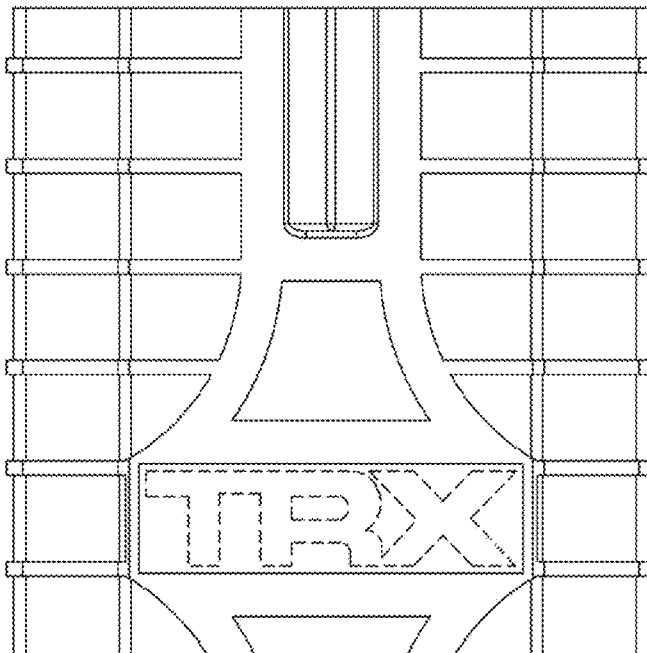


FIG. 27

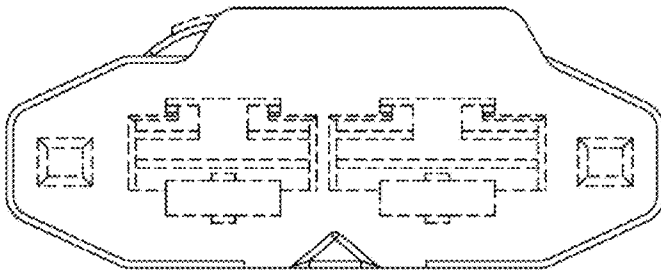


FIG. 28

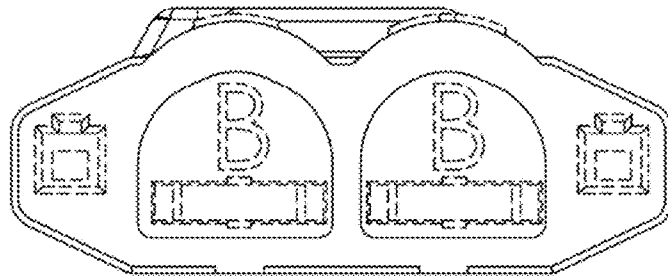


FIG. 29

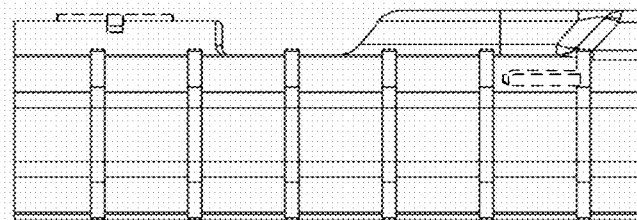


FIG. 30

