

(19) World Intellectual Property Organization
International Bureau



(43) International Publication Date
26 October 2006 (26.10.2006)

(10) International Publication Number
WO 2006/113433 A3

- (51) International Patent Classification:
G06Q 30/00 (2006.01)
- (21) International Application Number:
PCT/US2006/014063
- (22) International Filing Date:
13 April 2006 (13.04.2006)
- (25) Filing Language: English
- (26) Publication Language: English
- (30) Priority Data:
11/107,415 15 April 2005 (15.04.2005) US
11/107,416 15 April 2005 (15.04.2005) US
11/107,417 15 April 2005 (15.04.2005) US
11/107,326 15 April 2005 (15.04.2005) US
- (71) Applicant (for all designated States except US): **FMR CORPORATION** [US/US]; 82 Devonshire Street, Boston, Massachusetts 02109-3614 (US).
- (72) Inventors; and
- (75) Inventors/Applicants (for US only): **AGARWAL, Sharad** [US/US]; 10 Shadowbrook Lane, Apt. 23, Milford, Massachusetts 01757 (US). **BENNETT, Jason** [US/US]; 113 Brigham Street, Unit #1B, Hudson, Massachusetts 01749 (US). **BRITTING, Laurie** [US/US]; 6 Sterling Drive, Londonderry, New Hampshire 03053 (US). **BROWN, Jay** [US/US]; 48 Eben Street, Milford,

- Massachusetts 01757 (US). **DOELER, Donna** [US/US]; 146 North Street, Bellingham, Massachusetts 02019 (US). **FLEURANT, Karen** [US/US]; 22 June Street Terrace, Worcester, Massachusetts 01602 (US). **GIFFORD, Doug** [US/US]; 4 Worcester Square, Apt .5, Boston, Massachusetts 02118 (US). **GUPTA, Anupam** [US/US]; 21 Shadowbrook Lane. #2, Milford, Massachusetts 01757 (US). **HUTT, Cameron** [US/US]; 18 Gen Gery Road, Shrewsbury, Massachusetts 01545 (US). **JEANMONOD, Judy** [US/US]; 31 Monadnock Drive, Shrewsbury, Massachusetts 01545 (US). **MAGIE, Richard** [US/US]; 44 Birkdale Road, Bedford, Massachusetts 03110 (US). **POLITANO, Remo** [US/US]; 11 Brentwood Drive, Shrewsbury, Massachusetts 01545 (US). **QUERZE, David** [US/US]; 7 Simonne Lane, Pepperell, Massachusetts 01463 (US). **REGAN, Mark** [US/US]; 15 Carriage House Way, Medway, Massachusetts 02053 (US).
- (74) Agent: **MIRANDA, David, G.**; PROSKAUER ROSE LLP, One International Place, Boston, Massachusetts 02110 (US).
- (81) Designated States (unless otherwise indicated, for every kind of national protection available): AE, AG, AL, AM, AT, AU, AZ, BA, BB, BG, BR, BW, BY, BZ, CA, CH, CN, CO, CR, CU, CZ, DE, DK, DM, DZ, EC, EE, EG, ES, FI, GB, GD, GE, GH, GM, HR, HU, ID, IL, IN, IS, JP, KE, KG, KM, KN, KP, KR, KZ, LC, LK, LR, LS, LT,

[Continued on next page]

(54) Title: MULTI-AUTHORING WITHIN A BENEFITS CONTENT MANAGEMENT SYSTEM

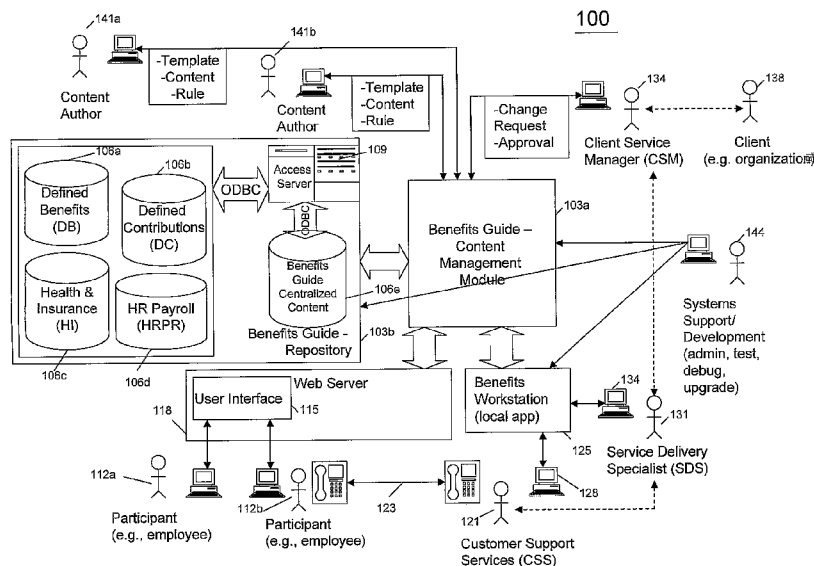


FIG. 1

(57) Abstract: Described are methods and apparatus, including computer program products, for multi-authoring within a benefits content management the system. Relationships are defined between content elements of the benefits content system. A first request is received to change a first content element of the benefits content system. Other content elements of the benefits content system having a relationship to the first content element are identified. A user interface is provided on a computing device to enable a user associated with the first request to control access by other users attempting to change one or more of the other content elements having a relationship to the first element while the user associated with the first request is changing the first content element.

WO 2006/113433 A3



LU, LV, LY, MA, MD, MG, MK, MN, MW, MX, MZ, NA, NG, NI, NO, NZ, OM, PG, PH, PL, PT, RO, RU, SC, SD, SE, SG, SK, SL, SM, SY, TJ, TM, TN, TR, TT, TZ, UA, UG, US, UZ, VC, VN, YU, ZA, ZM, ZW.

NL, PL, PT, RO, SE, SI, SK, TR), OAPI (BF, BJ, CF, CG, CI, CM, GA, GN, GQ, GW, ML, MR, NE, SN, TD, TG).

Published:

— with international search report (Art. 21(3))

(84) Designated States (unless otherwise indicated, for every kind of regional protection available): ARIPO (BW, GH, GM, KE, LS, MW, MZ, NA, SD, SL, SZ, TZ, UG, ZM, ZW), Eurasian (AM, AZ, BY, KG, KZ, MD, RU, TJ, TM), European (AT, BE, BG, CH, CY, CZ, DE, DK, EE, ES, FI, FR, GB, GR, HU, IE, IS, IT, LT, LU, LV, MC,

(88) Date of publication of the international search report:

10 September 2010

INTERNATIONAL SEARCH REPORT

International application No.

PCT/US06/14063

A. CLASSIFICATION OF SUBJECT MATTER
 IPC: **G06Q 30/00(2006.01)**

 USPC: **705/8-10,26**
 According to International Patent Classification (IPC) or to both national classification and IPC

B. FIELDS SEARCHED
 Minimum documentation searched (classification system followed by classification symbols)
 U.S. : 705/8-10, 26

 Documentation searched other than minimum documentation to the extent that such documents are included in the fields searched

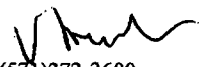
 Electronic data base consulted during the international search (name of data base and, where practicable, search terms used)

C. DOCUMENTS CONSIDERED TO BE RELEVANT

Category *	Citation of document, with indication, where appropriate, of the relevant passages	Relevant to claim No.
X	US 2002/0169649 14 (LINEBERRY et al) Nov. 2002 (14.11.2002)	1-78
A	WO 99/26122 (CARLSON) 27 May 1999 (27.05.1999)	1-78
A	US 6678714 (OLAPURATH et al.) 13 Jan. 2004 (13.01.04)	1-78
A	US 5893906 (DAFFIN et al) 13 Apr. 1999 (13.04.1999)	1-78

Further documents are listed in the continuation of Box C. See patent family annex.

* Special categories of cited documents:	
"A" document defining the general state of the art which is not considered to be of particular relevance	"T" later document published after the international filing date or priority date and not in conflict with the application but cited to understand the principle or theory underlying the invention
"E" earlier application or patent published on or after the international filing date	"X" document of particular relevance; the claimed invention cannot be considered novel or cannot be considered to involve an inventive step when the document is taken alone
"L" document which may throw doubts on priority claim(s) or which is cited to establish the publication date of another citation or other special reason (as specified)	"Y" document of particular relevance; the claimed invention cannot be considered to involve an inventive step when the document is combined with one or more other such documents, such combination being obvious to a person skilled in the art
"O" document referring to an oral disclosure, use, exhibition or other means	
"P" document published prior to the international filing date but later than the priority date claimed	"&" document member of the same patent family

Date of the actual completion of the international search 30 April 2008 (30.04.2008)	Date of mailing of the international search report 03 JUL 2008
Name and mailing address of the ISA/US Mail Stop PCT, Attn: ISA/US Commissioner for Patents P.O. Box 1450 Alexandria, Virginia 22313-1450 Facsimile No. (571) 273-3201	Authorized officer Kambiz Abdi  Telephone No. (571)272-3600