



US00D697331S

(12) **United States Design Patent**
Lee

(10) **Patent No.:** **US D697,331 S**

(45) **Date of Patent:** **** Jan. 14, 2014**

(54) **CHAIR**

(71) Applicant: **Justin Lee**, Houston, TX (US)

(72) Inventor: **Justin Lee**, Houston, TX (US)

(**) Term: **14 Years**

(21) Appl. No.: **29/455,689**

(22) Filed: **May 23, 2013**

(51) **LOC (10) Cl.** **06-01**

(52) **U.S. Cl.**

USPC **D6/369**

(58) **Field of Classification Search**

USPC D6/334–336, 348, 369, 370, 371–373,
D6/374, 376, 379, 380, 709.19, 709.21,
D6/716, 716.1, 716.2, 716.3, 716.4;
297/271.5, 271.6, 411.43, 440.1,
297/440.15, 445.1, 446.1, 447.4, 451.9,
297/452.18, 452.63, 452.64

See application file for complete search history.

(56) **References Cited**

U.S. PATENT DOCUMENTS

117,012	A	*	7/1871	Stockton	297/451.9
133,431	A	*	11/1872	Gardner	297/271.6
133,555	A	*	12/1872	Akers	297/447.4
RE9,647	E	*	4/1881	Brittan	297/271.6
307,676	A	*	11/1884	Nicholson	297/447.4
D80,737	S	*	3/1930	Lehman	D6/370
D83,009	S	*	1/1931	Ross	D6/370
D355,537	S	*	2/1995	Geier	D6/370

D355,984	S	*	3/1995	Geier	D6/370
D386,322	S	*	11/1997	Maury	D6/370
D396,359	S	*	7/1998	Jiang	D6/370
D486,658	S	*	2/2004	Weaver	D6/370
D540,054	S	*	4/2007	Doughty	D6/369
D566,411	S	*	4/2008	Lee	D6/370
D580,197	S	*	11/2008	Lee	D6/716
D597,325	S	*	8/2009	Lee	D6/348
D679,105	S	*	4/2013	Lee	D6/348

* cited by examiner

Primary Examiner — Mimosa De

(74) *Attorney, Agent, or Firm* — Egbert Law Offices, PLLC

(57) **CLAIM**

The ornamental design for a chair, as shown and described.

DESCRIPTION

FIG. 1 is a perspective view of the chair of a first embodiment showing my design.

FIG. 2 is a front view thereof;

FIG. 3 is a rear view thereof;

FIG. 4 is a side view thereof;

FIG. 5 is an opposite side view of the chair in FIG. 8 thereof;

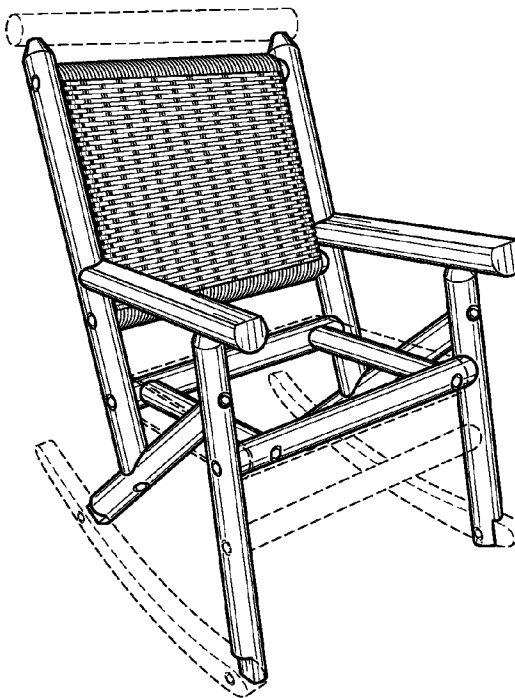
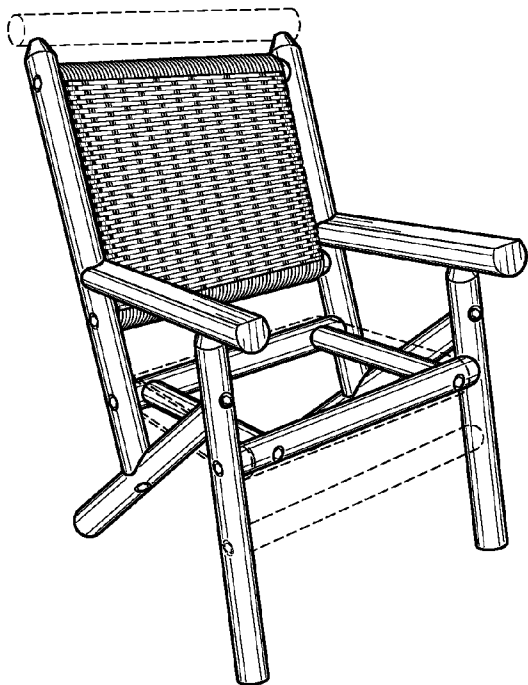
FIG. 6 is a top view thereof;

FIG. 7 is a bottom view thereof; and,

FIG. 8 is a perspective view of the chair of a second embodiment in a rocker configuration.

The chair has a rattan or faux rattan surface thereon. The features presented in broken lines are for environmental purposes only and form no part of the claimed design.

1 Claim, 3 Drawing Sheets



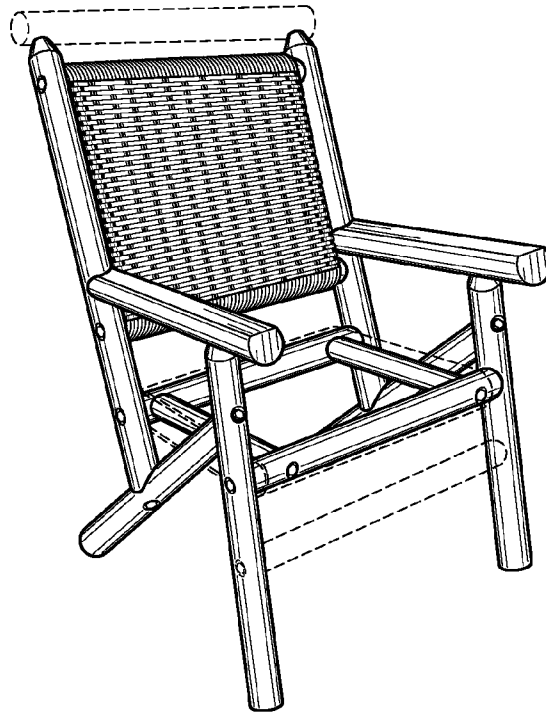


FIG. 1

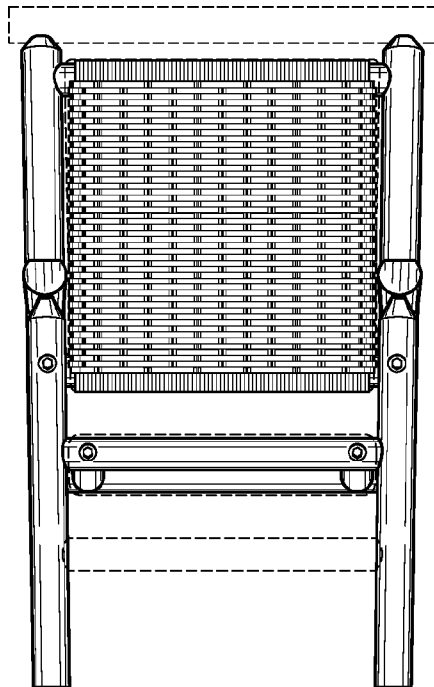


FIG. 2

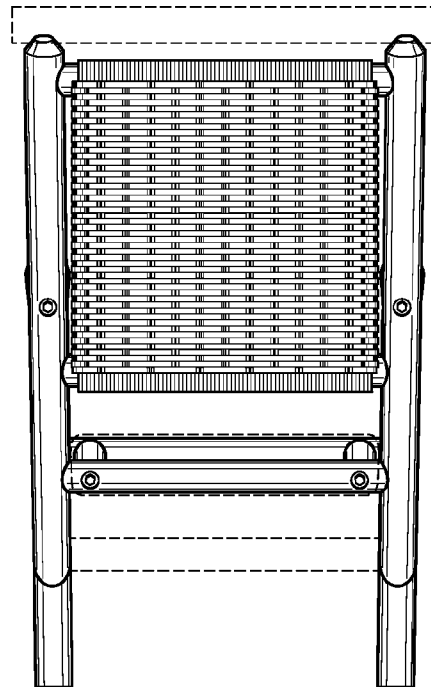


FIG. 3

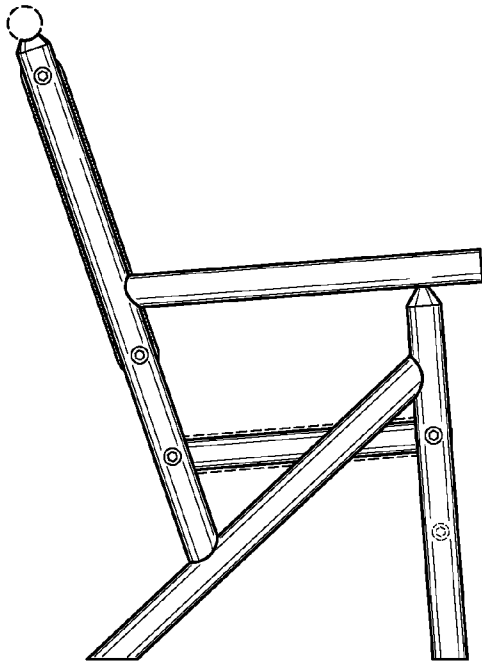


FIG. 4

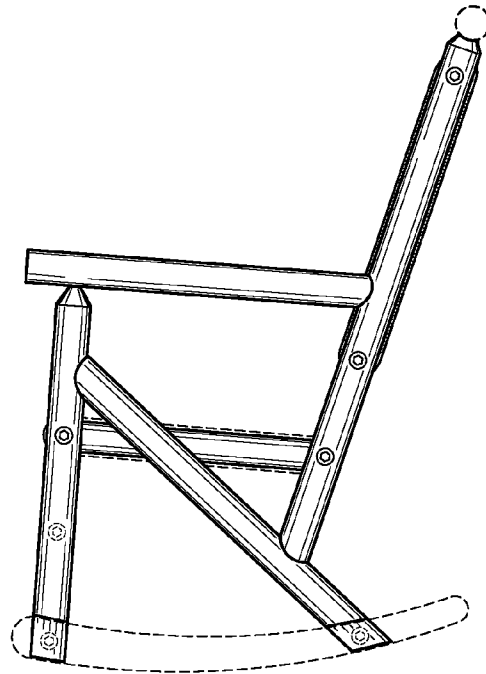


FIG. 5

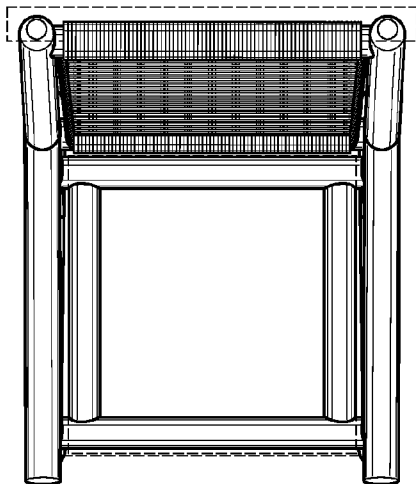


FIG. 6

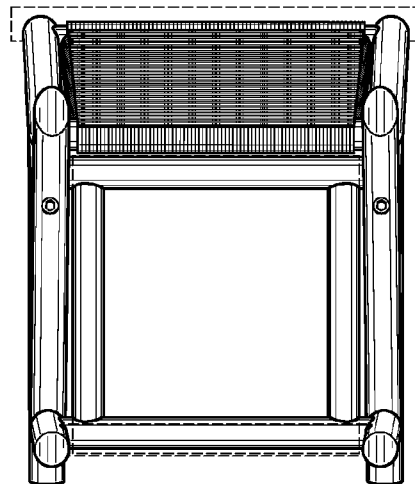


FIG. 7

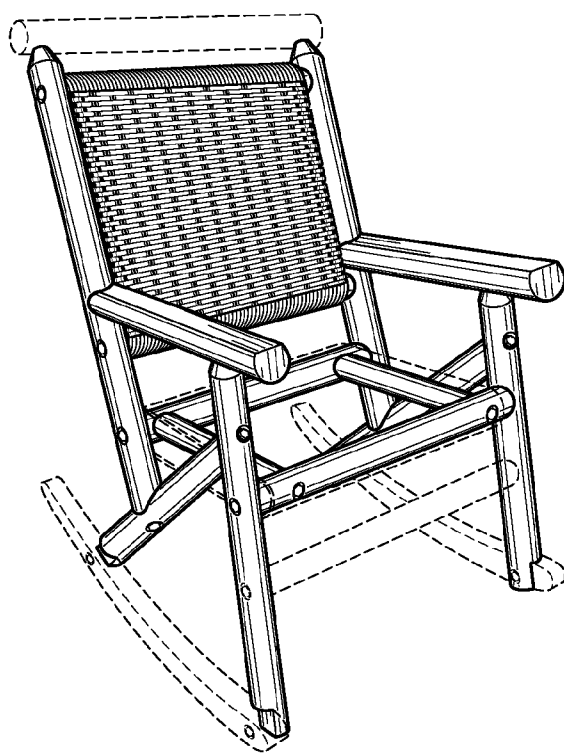


FIG. 8