

(19) World Intellectual Property Organization
International Bureau



(43) International Publication Date
9 August 2007 (09.08.2007)

PCT

(10) International Publication Number
WO 2007/089936 A3

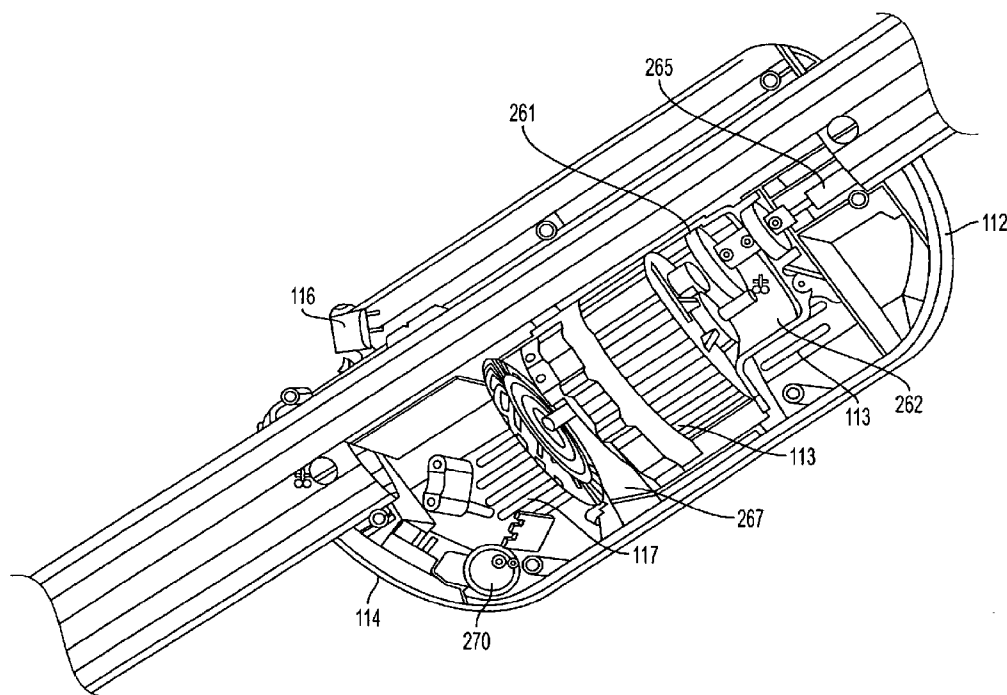
- (51) International Patent Classification:
B24B 27/08 (2006.01)
- (21) International Application Number:
PCT/US2007/002974
- (22) International Filing Date: 1 February 2007 (01.02.2007)
- (25) Filing Language: English
- (26) Publication Language: English
- (30) Priority Data:
60/763,961 1 February 2006 (01.02.2006) US
- (71) Applicant (for all designated States except US): **BLACK & DECKER INC.** [US/US]; 1207 Drummond Plaza, Newark, DE 19711 (US).
- (72) Inventors; and
- (75) Inventors/Applicants (for US only): **DESPANDE, Uday, S.** [IN/US]; 15 Montauk Court, Baltimore, MD 21234 (US). **WAIKER, Shailesh, P.** [IN/US]; Apartment #C, 10325 Malcolm Circle, Cockeysville, MD 21030 (US). **PUROHIT, Madhur** [IN/US]; Apartment #301, 800 Mockingbird Lane, Towson, MD 21286 (US). **WISNIEWSKI, Paul, J.** [US/US]; 5120 Windermere Circle, Baltimore, MD 21237 (US). **WISEMAN, David, W.** [US/US]; 9403 Bridgewater Court West, Frederick, MD 21701 (US).

- (74) Agents: **KEY, Joseph, F.** et al.; Group Patent Counsel, The Black & Decker Corporation, 701 East Joppa Road, TW 199, Towson, MD 21286 (US).
- (81) Designated States (unless otherwise indicated, for every kind of national protection available): AE, AG, AL, AM, AT, AU, AZ, BA, BB, BG, BR, BW, BY, BZ, CA, CH, CN, CO, CR, CU, CZ, DE, DK, DM, DZ, EC, EE, EG, ES, FI, GB, GD, GE, GH, GM, GT, HN, HR, HU, ID, IL, IN, IS, JP, KE, KG, KM, KN, KP, KR, KZ, LA, LC, LK, LR, LS, LT, LU, LV, LY, MA, MD, MG, MK, MN, MW, MX, MY, MZ, NA, NG, NI, NO, NZ, OM, PG, PH, PL, PT, RO, RS, RU, SC, SD, SE, SG, SK, SL, SM, SV, SY, TJ, TM, TN, TR, TT, TZ, UA, UG, US, UZ, VC, VN, ZA, ZM, ZW.
- (84) Designated States (unless otherwise indicated, for every kind of regional protection available): ARIPO (BW, GH, GM, KE, LS, MW, MZ, NA, SD, SL, SZ, TZ, UG, ZM, ZW), Eurasian (AM, AZ, BY, KG, KZ, MD, RU, TJ, TM), European (AT, BE, BG, CH, CY, CZ, DE, DK, EE, ES, FI, FR, GB, GR, HU, IE, IS, IT, LT, LU, LV, MC, NL, PL, PT, RO, SE, SI, SK, TR), OAPI (BF, BJ, CF, CG, CI, CM, GA, GN, GQ, GW, ML, MR, NE, SN, TD, TG).

Published:
— with international search report

[Continued on next page]

(54) Title: SANDER HAVING A BRUSHLESS MOTOR



(57) Abstract: A sander may include a wand having a proximal end and a distal end, a sanding head mounted to the proximal end of the wand, and a brushless motor mounted on the distal end of the wand that is configured to provide rotational motion to the sanding head.

WO 2007/089936 A3



— *before the expiration of the time limit for amending the claims and to be republished in the event of receipt of amendments*

(88) Date of publication of the international search report:
5 June 2008

INTERNATIONAL SEARCH REPORT

International application No.

PCT/US07/02974

A. CLASSIFICATION OF SUBJECT MATTER
 IPC: **B24B 27/08(2006.01)**

USPC: 451/344
 According to International Patent Classification (IPC) or to both national classification and IPC

B. FIELDS SEARCHED

Minimum documentation searched (classification system followed by classification symbols)
 U.S. : 451/344,354,356,357,358,359

Documentation searched other than minimum documentation to the extent that such documents are included in the fields searched

Electronic data base consulted during the international search (name of data base and, where practicable, search terms used)
 EAST

C. DOCUMENTS CONSIDERED TO BE RELEVANT

| Category * | Citation of document, with indication, where appropriate, of the relevant passages | Relevant to claim No. |
|------------|--|-----------------------|
| Y | US 6,500,057 B1 (MEDINA) 31 December 2002 (31.12.2002), see figure 1. | 1-8 |
| Y | US 6,966,391 B2 (TANG) 22 November 2005 (22.11.2005), see figure 1. | 1-8 |

Further documents are listed in the continuation of Box C. See patent family annex.

| * Special categories of cited documents: | |
|---|--|
| "A" document defining the general state of the art which is not considered to be of particular relevance | "T" later document published after the international filing date or priority date and not in conflict with the application but cited to understand the principle or theory underlying the invention |
| "E" earlier application or patent published on or after the international filing date | "X" document of particular relevance; the claimed invention cannot be considered novel or cannot be considered to involve an inventive step when the document is taken alone |
| "L" document which may throw doubts on priority claim(s) or which is cited to establish the publication date of another citation or other special reason (as specified) | "Y" document of particular relevance; the claimed invention cannot be considered to involve an inventive step when the document is combined with one or more other such documents, such combination being obvious to a person skilled in the art |
| "O" document referring to an oral disclosure, use, exhibition or other means | "&" document member of the same patent family |
| "P" document published prior to the international filing date but later than the priority date claimed | |

| | |
|---|--|
| Date of the actual completion of the international search 30 March 2008 (30.03.2008) | Date of mailing of the international search report 21 APR 2008 |
| Name and mailing address of the ISA/US Mail Stop PCT, Attn: ISA/US Commissioner for Patents P.O. Box 1450 Alexandria, Virginia 22313-1450 Facsimile No. (571) 273-3201 | Authorized officer Timothy V. Eley <i>Timothy V. Eley</i> Telephone No. 571-272-4506 <i>Tim</i> |