



US00D567014S

(12) **United States Design Patent**
Silver et al.

(10) **Patent No.:** US D567,014 S

(45) **Date of Patent:** ** Apr. 22, 2008

(54) **EGG BOWL**

(75) Inventors: **Michael I. Silver**, New York, NY (US);
Wendy L. Silver, New York, NY (US)

(73) Assignee: **Wenco, L.L.C.**, Mount Kisco, NY (US)

(**) Term: **14 Years**

(21) Appl. No.: **29/280,053**

(22) Filed: **May 15, 2007**

(51) **LOC (8) Cl.** **07-02**

(52) **U.S. Cl.** **D7/354**

(58) **Field of Classification Search** D3/271.2;
D7/315-318, 323-361, 500, 503-511, 543-545,
D7/611; D9/643, 689; D10/40-44; D11/121,
D11/131; D26/6, 9; 30/120.1; 99/324,
99/336, 419, 440; 206/129, 197, 349, 452;
220/254.7, 573.1, 574; 366/130, 200, 206,
366/347

See application file for complete search history.

(56) **References Cited**

U.S. PATENT DOCUMENTS

D43,856 S *	4/1913	Swan	D7/354
D54,367 S *	2/1920	Bierbach	D7/503
D163,472 S *	5/1951	Nelson	D7/503
D178,164 S *	6/1956	West	D11/131
3,757,674 A *	9/1973	Carroll	99/440
3,791,285 A *	2/1974	Mack	99/419
3,839,792 A *	10/1974	Ceccon	30/120.1
D236,697 S *	9/1975	Draghi	D10/40
D240,829 S *	8/1976	Jones	D9/689
D276,705 S *	12/1984	Oliveri	D10/40
D285,403 S *	9/1986	Wilson	D7/354
D299,903 S *	2/1989	Grutzke	D7/357
D317,548 S *	6/1991	Yeh	D7/357

D318,240 S *	7/1991	Pang	D10/40
D370,122 S *	5/1996	Caldwell	D3/271.2
D373,552 S *	9/1996	Lownsbury	D11/121
D411,322 S *	6/1999	Suzuki	D26/37
D421,216 S *	2/2000	Abrams et al.	D9/643
D434,264 S *	11/2000	Mixides	D7/330
D436,286 S *	1/2001	Lin	D7/354
D441,596 S *	5/2001	Fernandez	D7/354
D473,429 S *	4/2003	Osborne et al.	D7/611
D478,681 S *	8/2003	Newcomb	D26/4
D485,195 S *	1/2004	Abrams	D10/44
D500,634 S *	1/2005	Doria	D7/503

* cited by examiner

Primary Examiner—Mimosa De

Assistant Examiner—Ricky Pham

(74) *Attorney, Agent, or Firm*—Fitzpatrick Cella Harper & Scinto

(57) **CLAIM**

The ornamental design for an egg bowl, as shown and described.

DESCRIPTION

FIG. 1 is a perspective view of an egg bowl showing our new design;

FIG. 2 is a right side elevational view thereof;

FIG. 3 is a left side elevational view thereof;

FIG. 4 is a rear elevational view thereof;

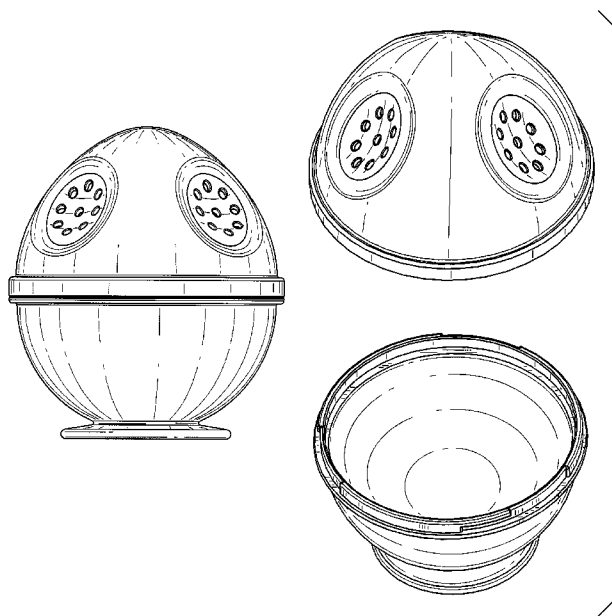
FIG. 5 is a front elevational view thereof;

FIG. 6 is a top plan view thereof;

FIG. 7 is a bottom plan view thereof; and,

FIG. 8 is a perspective view thereof, shown with the top of the bowl removed for ease of illustration.

1 Claim, 7 Drawing Sheets



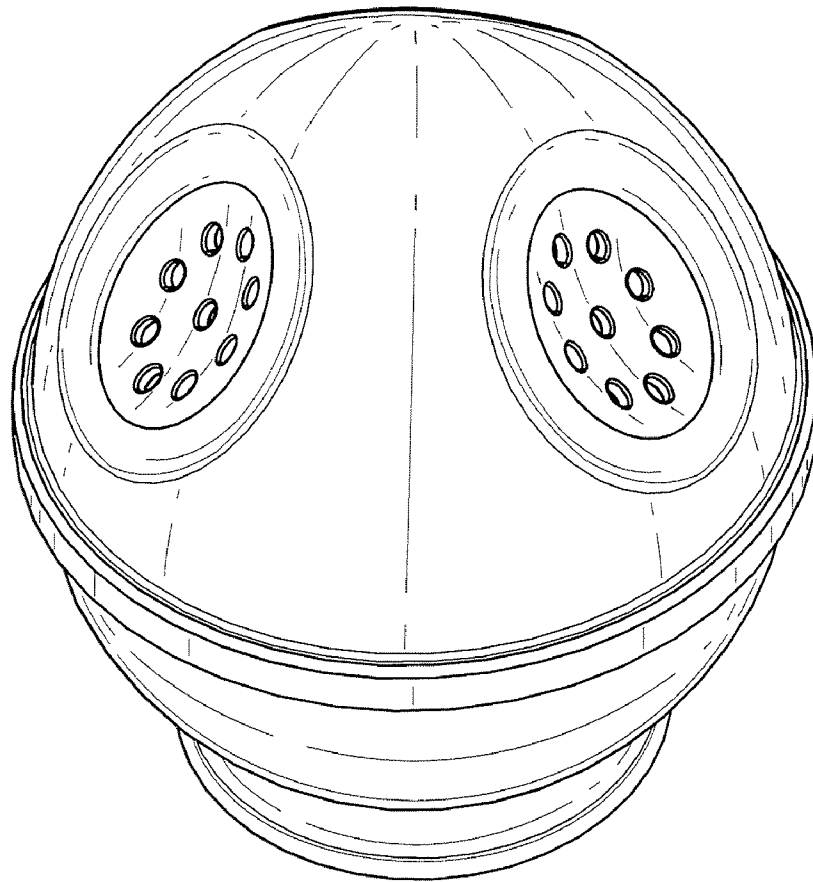


FIG. 1

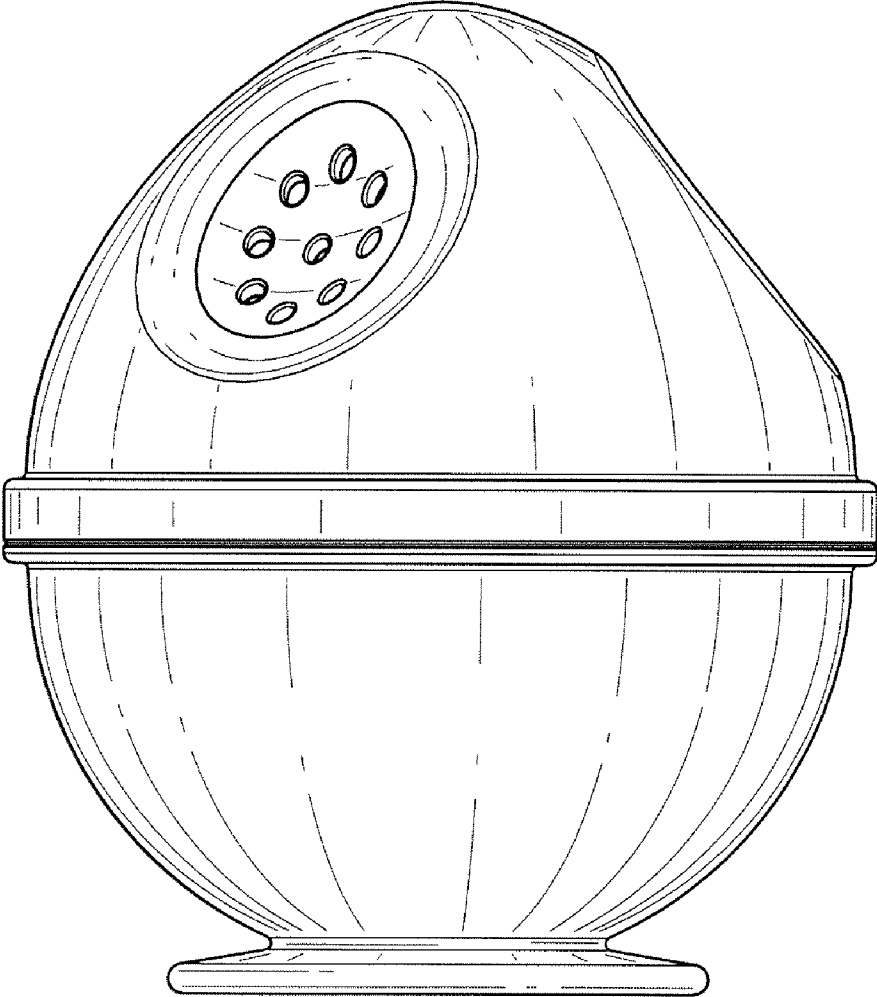


FIG. 2

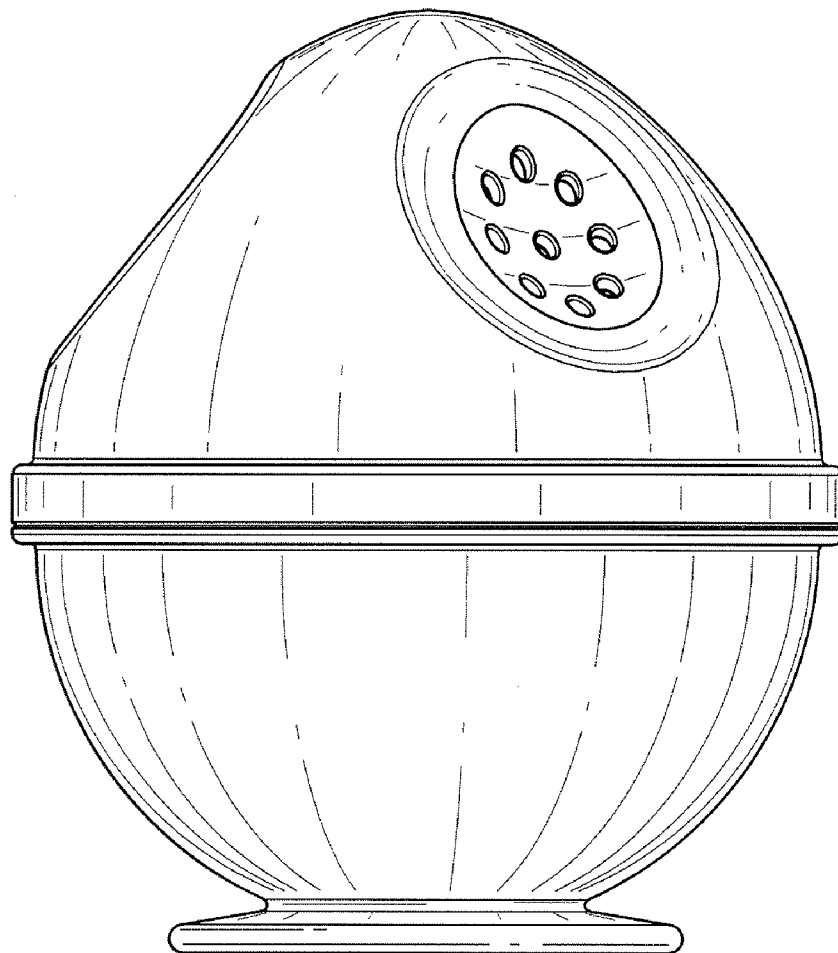


FIG. 3

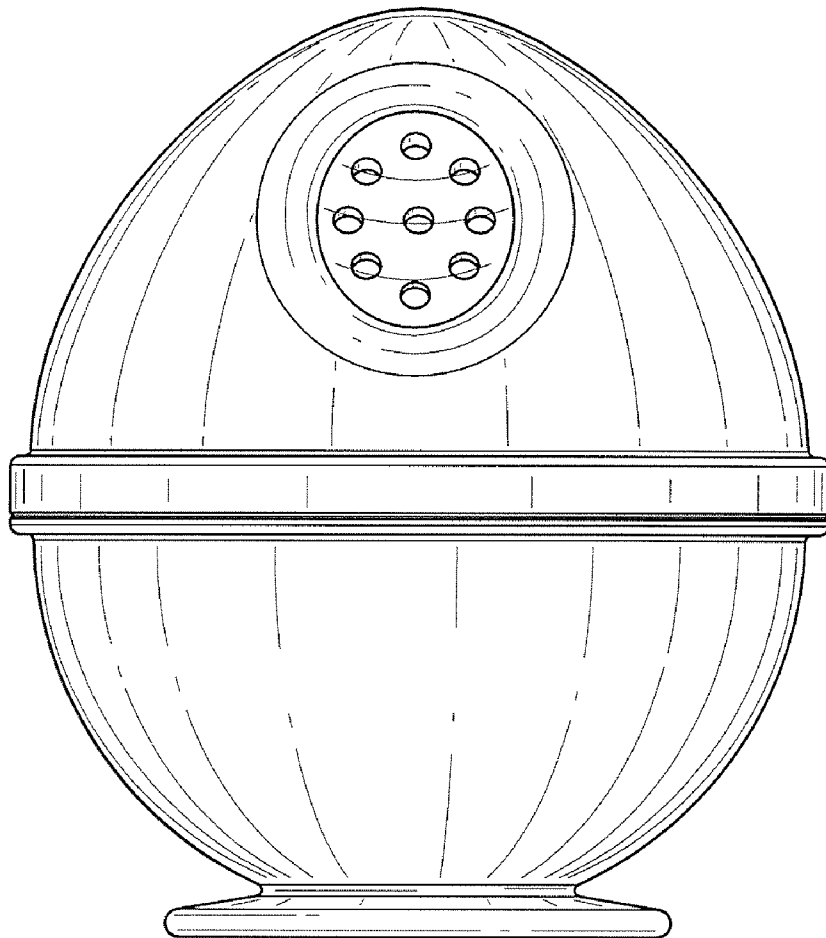


FIG. 4

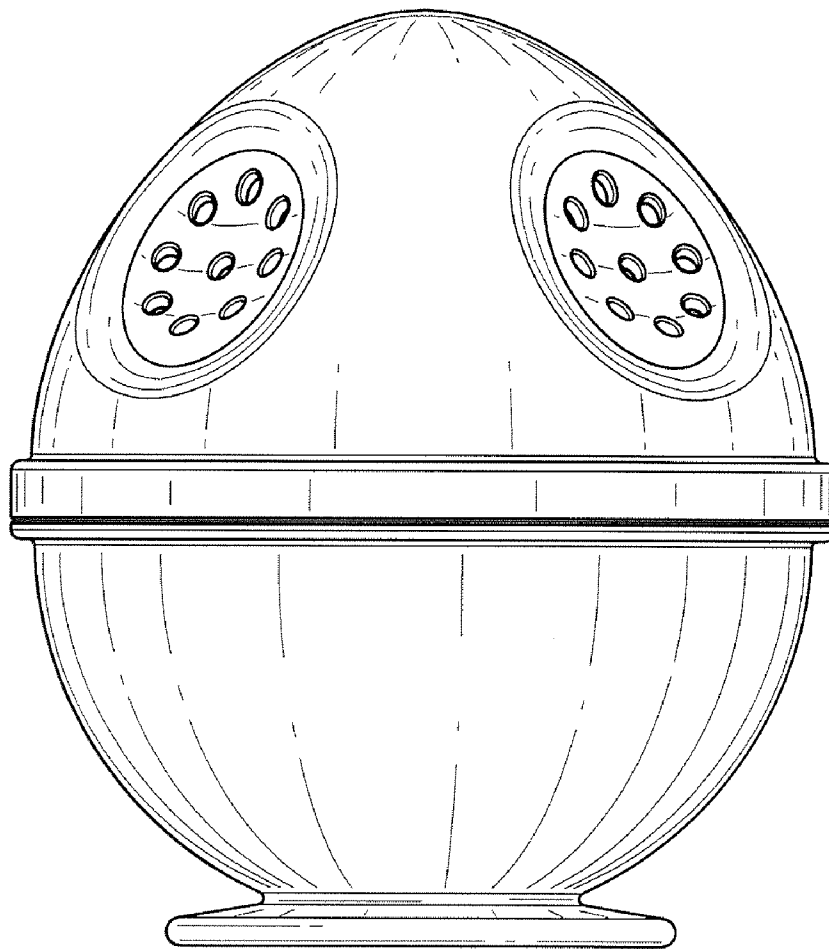


FIG. 5

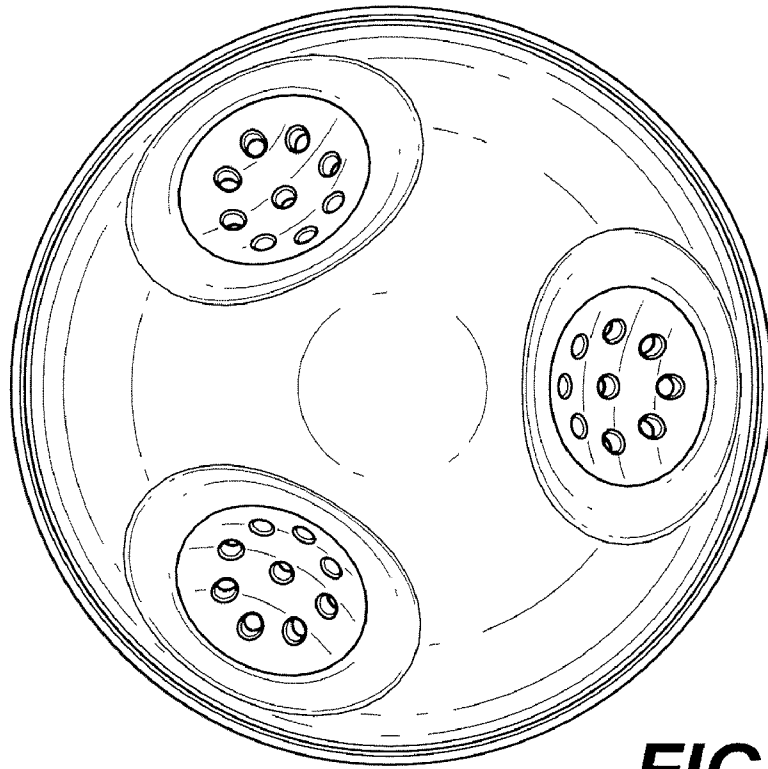


FIG. 6

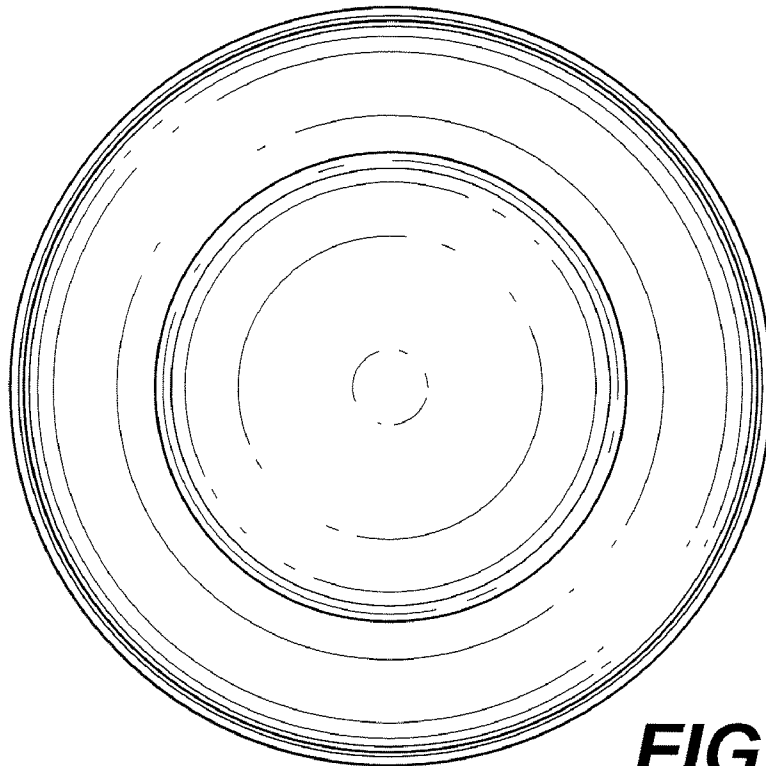


FIG. 7

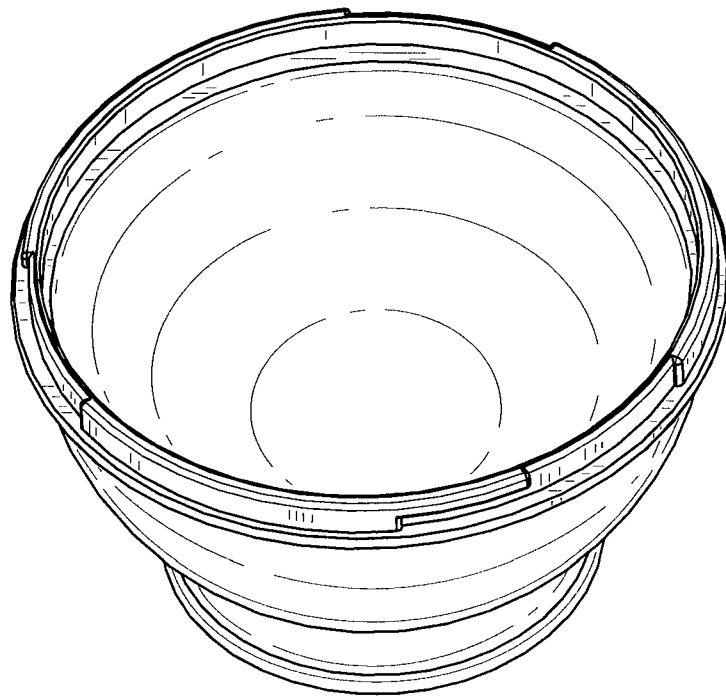
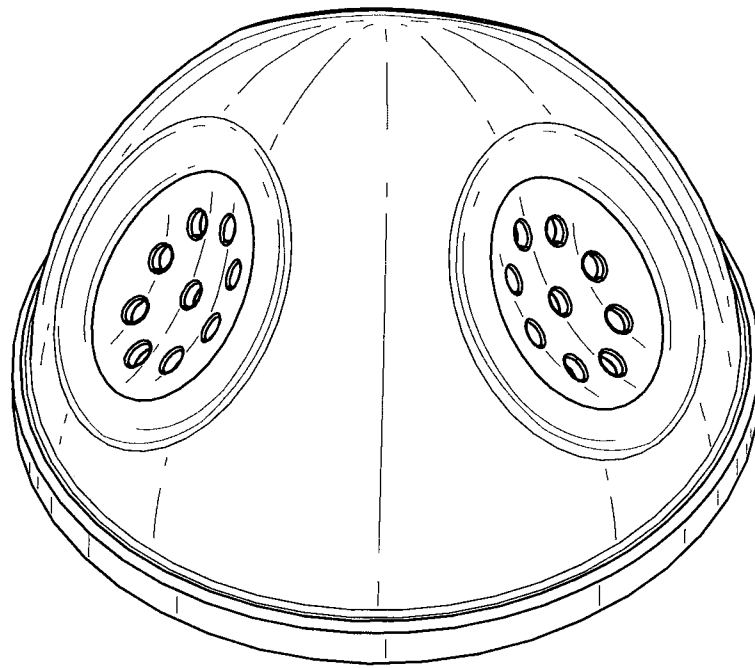


FIG. 8