



US00D985361S

(12) **United States Design Patent**
Xiang

(10) **Patent No.:** **US D985,361 S**

(45) **Date of Patent:** **** May 9, 2023**

- (54) **LOCK**
- (71) Applicant: **Dezhao Xiang**, Shenzhen (CN)
- (72) Inventor: **Dezhao Xiang**, Shenzhen (CN)
- (**) Term: **15 Years**
- (21) Appl. No.: **29/814,336**
- (22) Filed: **Nov. 5, 2021**
- (51) **LOC (14) Cl.** **08-07**
- (52) **U.S. Cl.**
USPC **D8/331; D8/300**
- (58) **Field of Classification Search**
USPC D7/393, 396, 406, 543, 545, 547, 548;
D8/300-302, 305, 307, 311, 312,
D8/330-348, 350; D23/250, 421
CPC E05B 1/0007; E05B 55/005; E05B 1/0053;
E05B 17/142; Y10S 16/30; Y10S 70/31
See application file for complete search history.

D878,894	S	*	3/2020	Wilson, II	D8/312
D892,274	S	*	8/2020	Soulier	D23/250
D912,491	S	*	3/2021	Zwakman	D8/301
D917,261	S	*	4/2021	Kho	D8/322
D923,454	S	*	6/2021	Chen	D8/331
D936,183	S	*	11/2021	Hoogendoorn	D23/250
D937,655	S	*	12/2021	Snodgrass	D8/301
D964,838	S	*	9/2022	Liu	D8/301
D965,407	S	*	10/2022	Snodgrass	D8/321
D971,002	S	*	11/2022	Liu	D8/302
2013/0185897	A1	*	7/2013	Bracey	E05B 1/04 16/110.1
2020/0141157	A1	*	5/2020	Miller	E05B 47/0012
2020/0328051	A1	*	10/2020	Treger	H01H 19/005
2022/0186526	A1	*	6/2022	Xiang	E05B 63/0056

* cited by examiner

Primary Examiner — David G Muller
Assistant Examiner — Christina Gabrielle Cosden

(57) **CLAIM**

The ornamental design for a lock, as shown and described.

DESCRIPTION

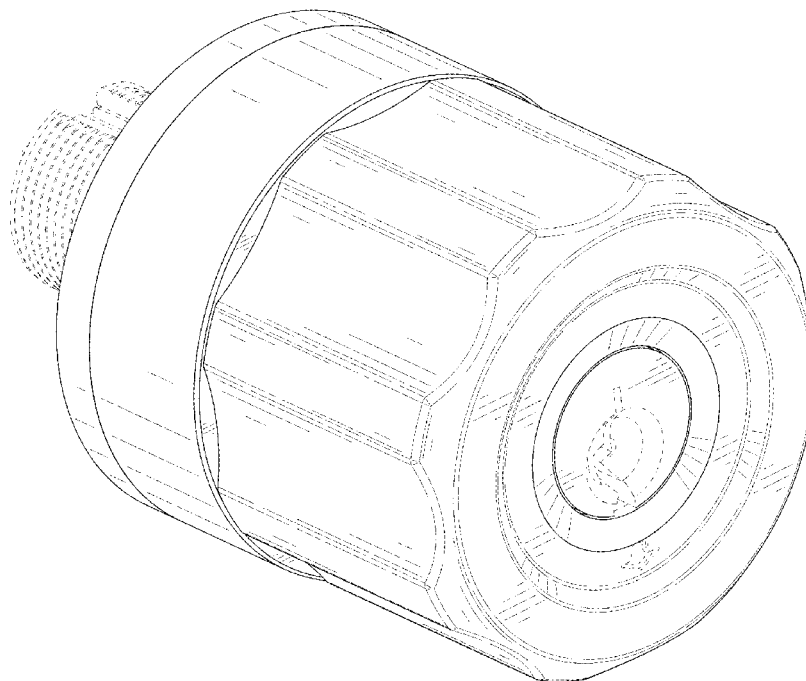
FIG. 1 is a perspective view of a lock showing my new design;
 FIG. 2 is another perspective view thereof;
 FIG. 3 is a front elevational view thereof;
 FIG. 4 is a rear elevational view thereof;
 FIG. 5 is a left side elevational view thereof;
 FIG. 6 is a right side elevational view thereof;
 FIG. 7 is a top plan view thereof; and,
 FIG. 8 is a bottom plan view thereof.
 The broken lines in the drawings depict portions of the lock that form no part of the claimed design.

1 Claim, 8 Drawing Sheets

(56) **References Cited**

U.S. PATENT DOCUMENTS

D223,797	S	*	6/1972	Jensen	D23/250
4,347,758	A	*	9/1982	Geil	G05G 5/06 D8/312
D297,807	S	*	9/1988	Fildan	D8/312
D329,590	S	*	9/1992	Chapman	D8/402
D589,776	S	*	4/2009	Camp	D8/312
D631,726	S	*	2/2011	Ferreira Sanchez	D8/312
D795,395	S	*	8/2017	Kington	D23/250
D815,251	S	*	4/2018	Ho	D23/250
D816,622	S	*	5/2018	Feng	D8/312
D844,408	S	*	4/2019	Lu	D8/301
10,329,802	B1	*	6/2019	Huang	E05B 63/006



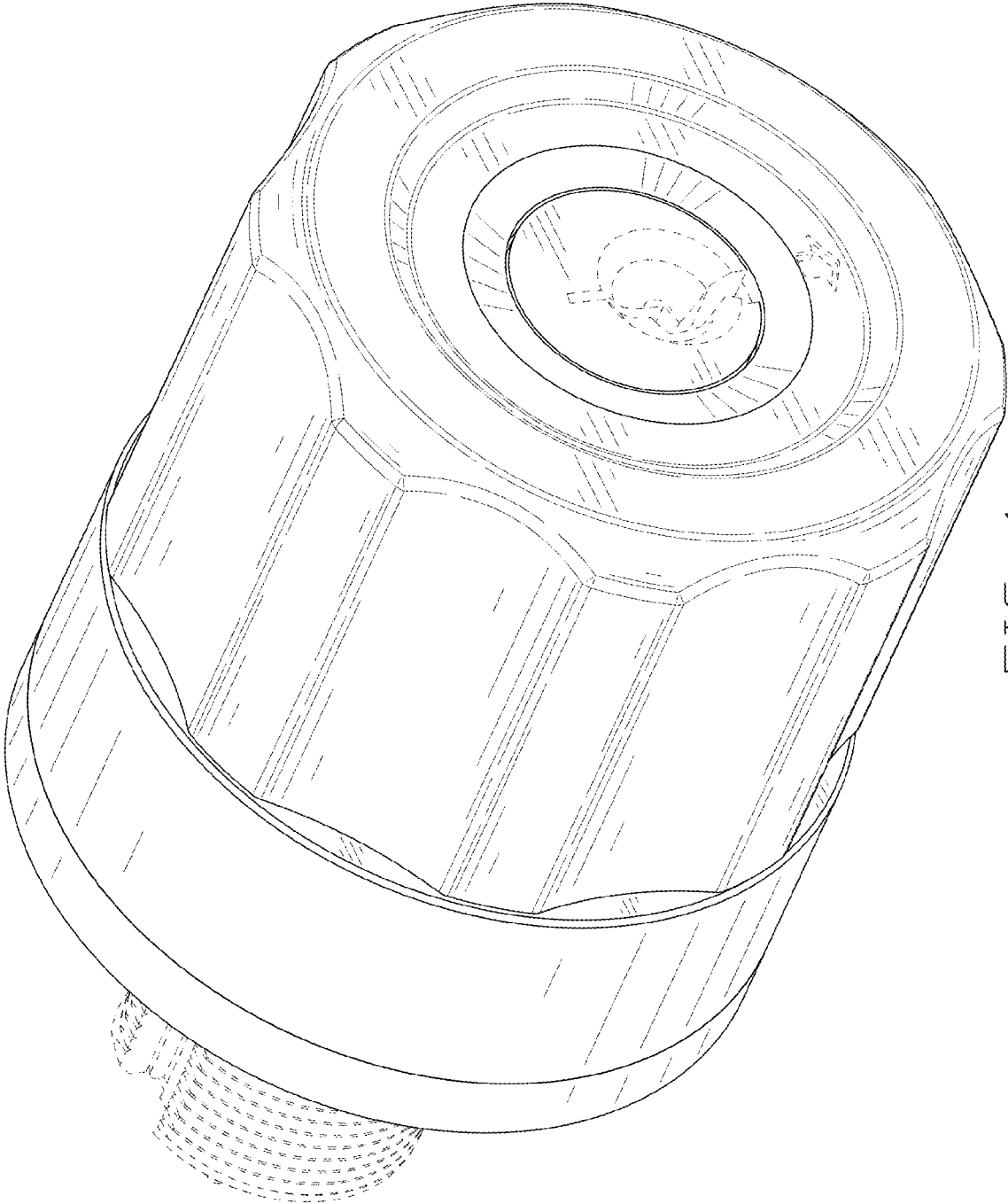


FIG. 1

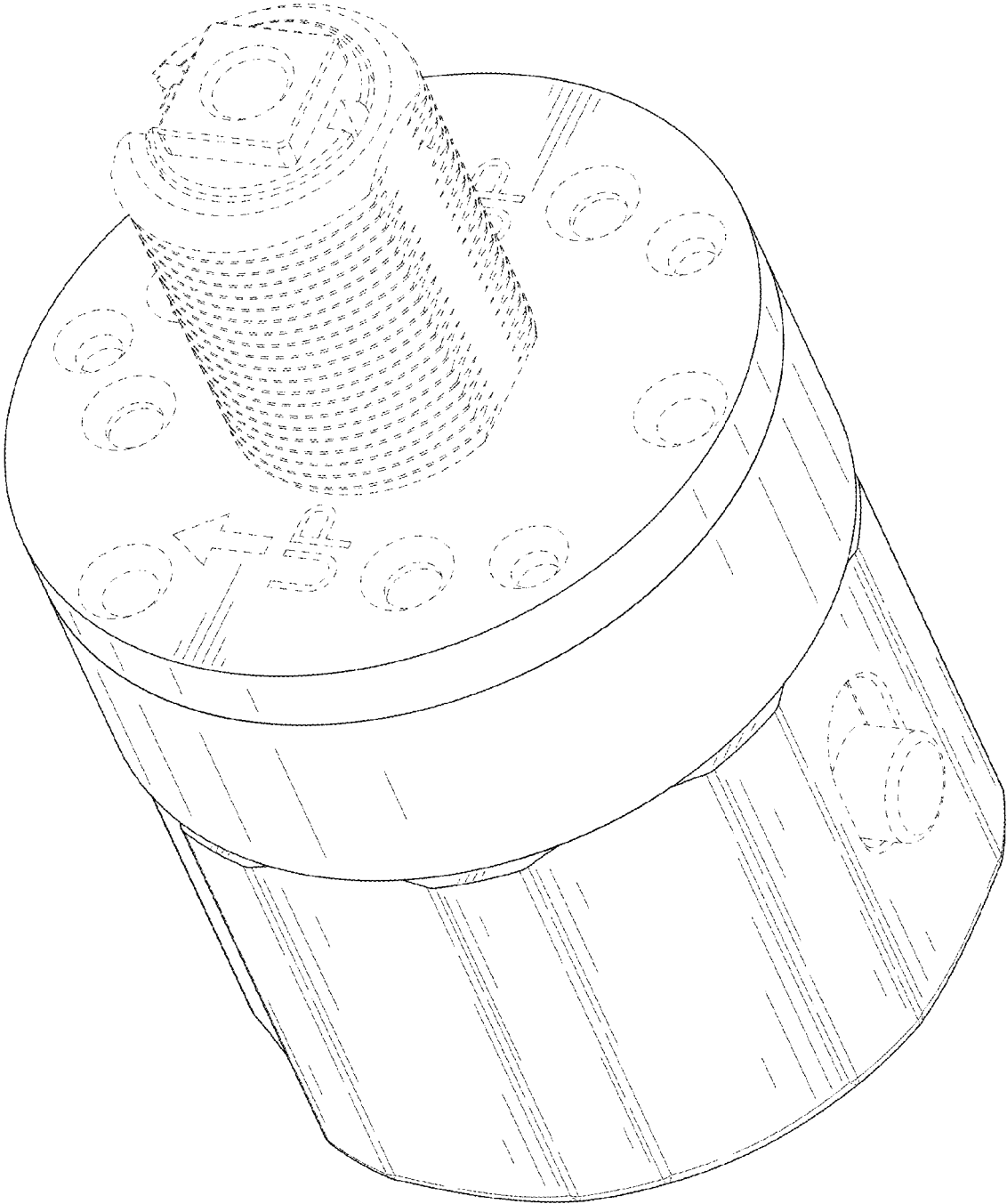


FIG. 2

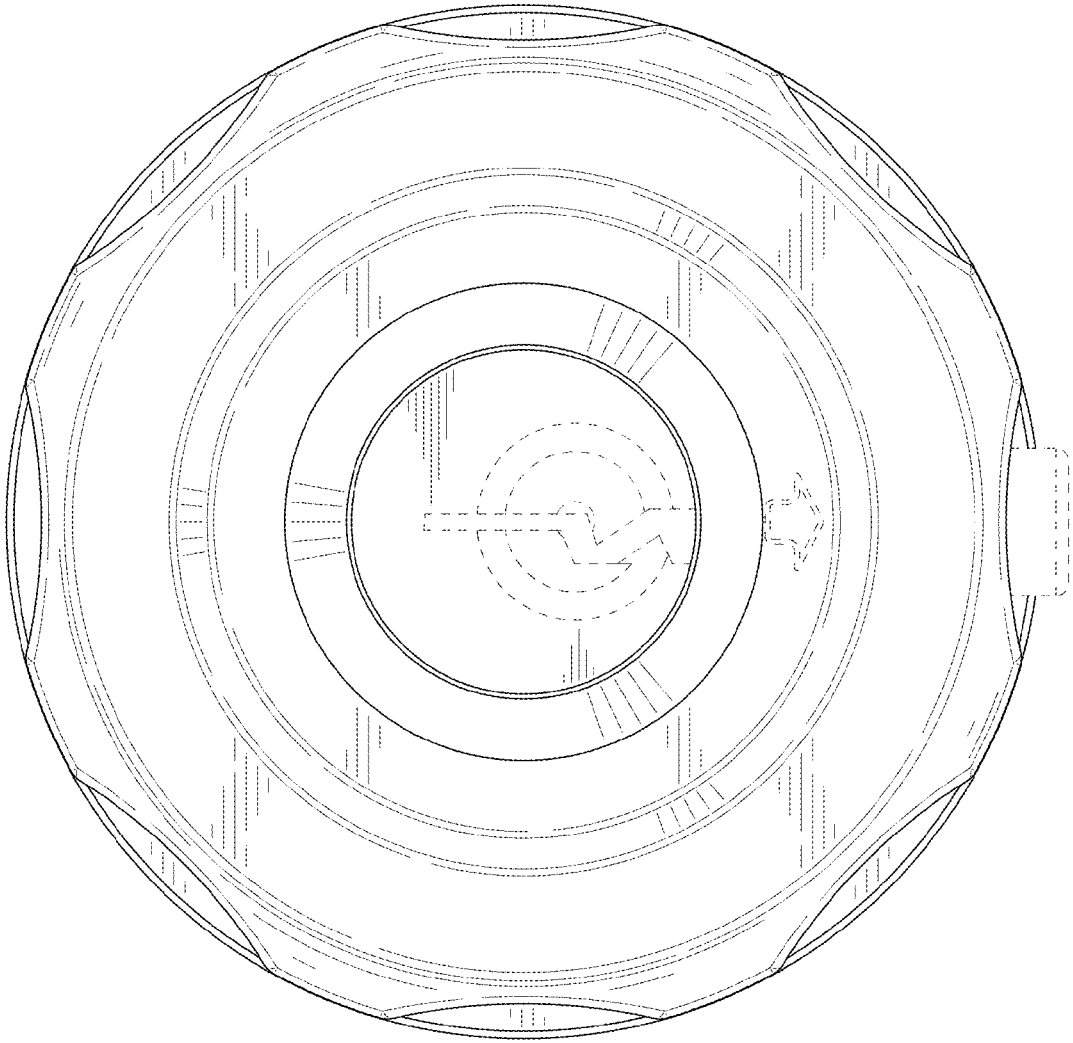


FIG. 3

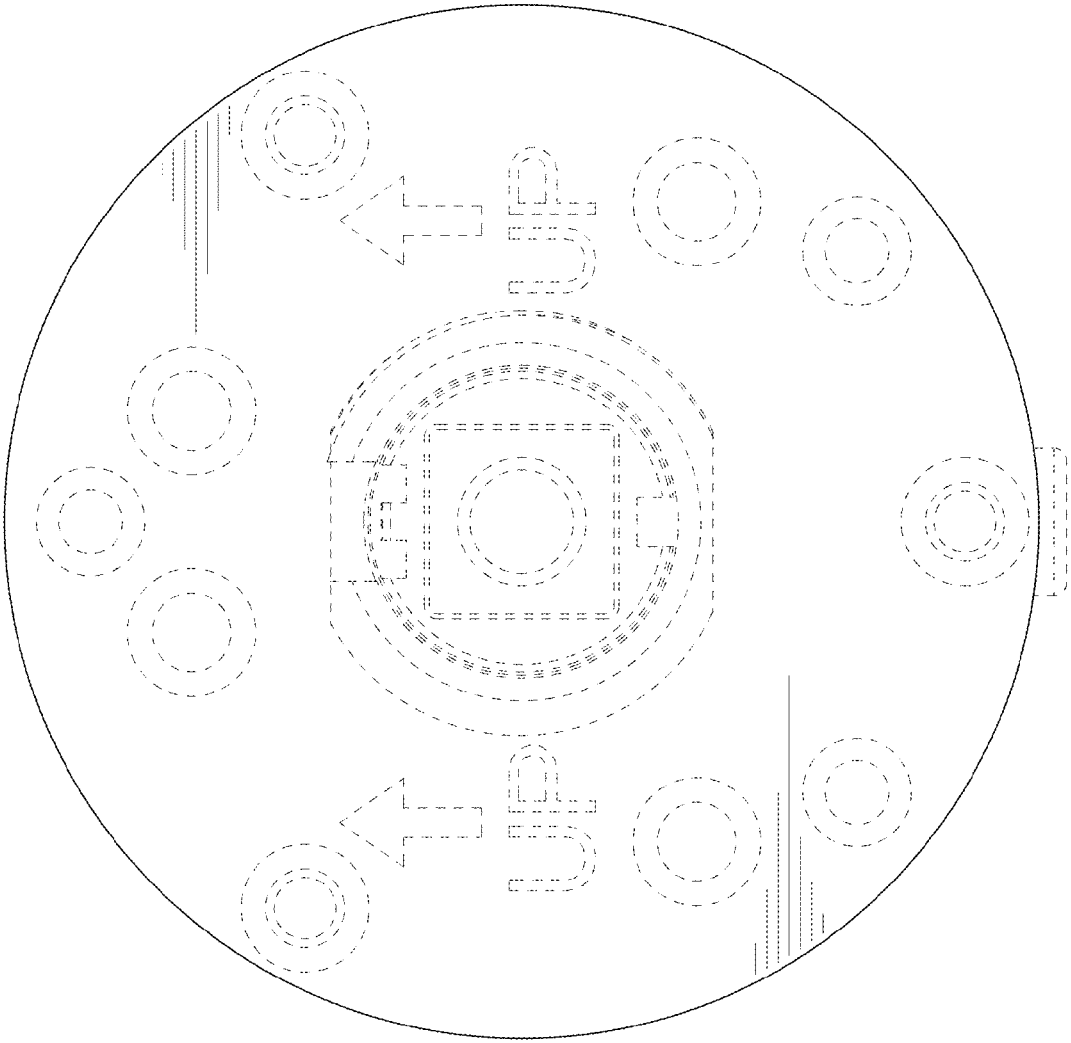


FIG. 4

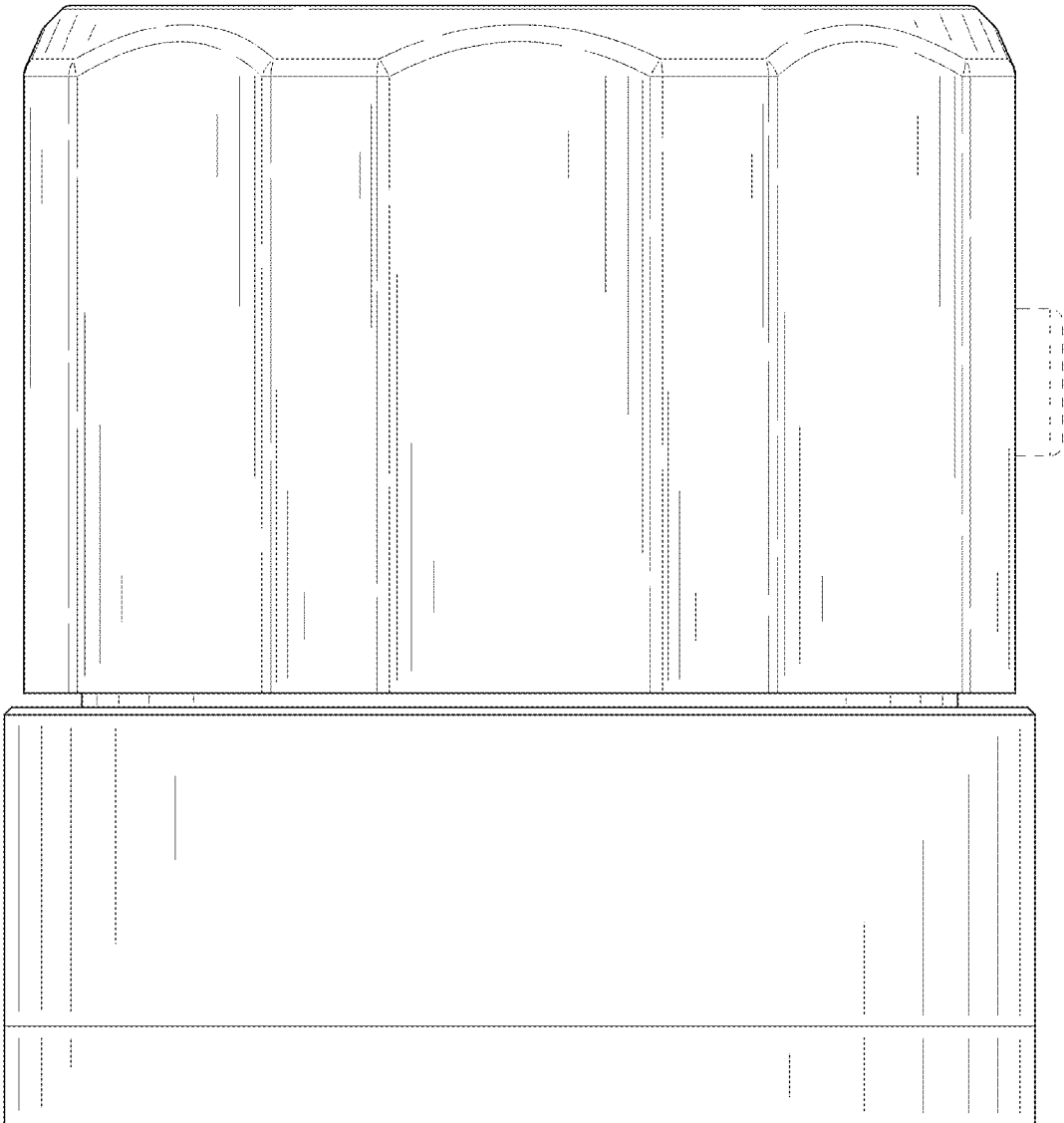
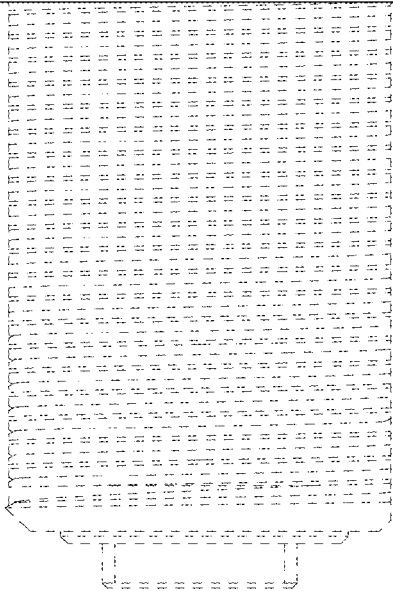


FIG. 5



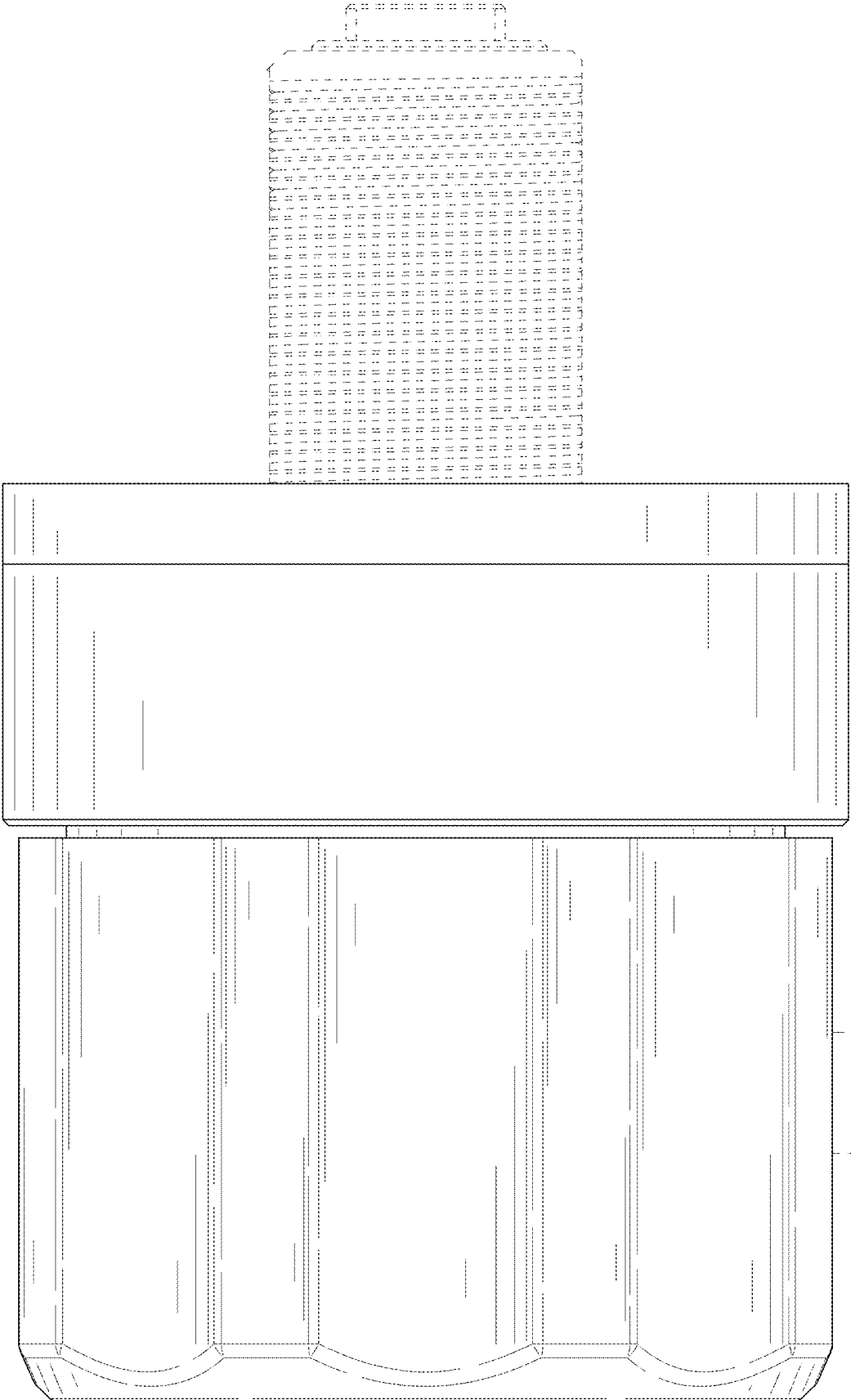


FIG. 6

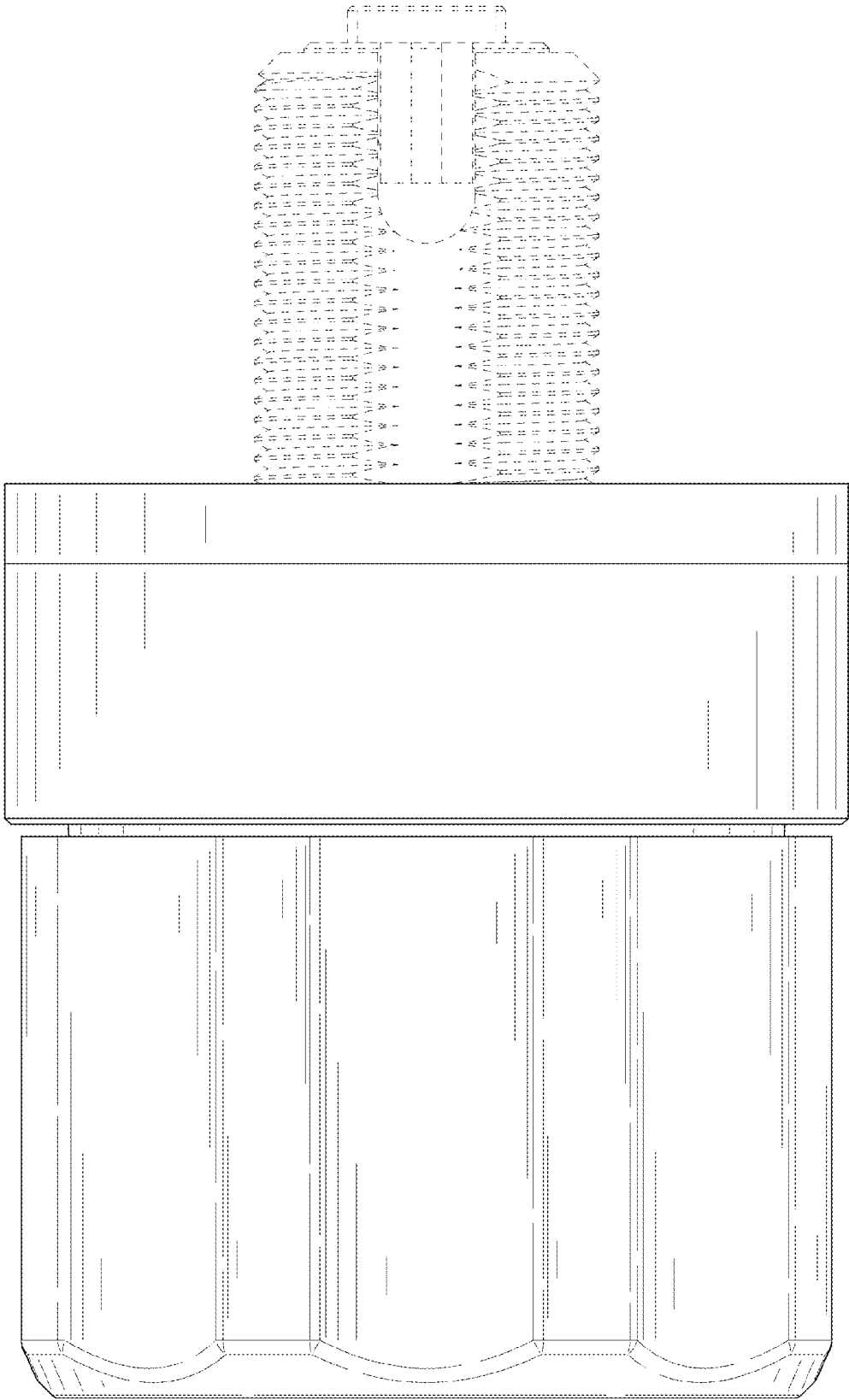


FIG. 7

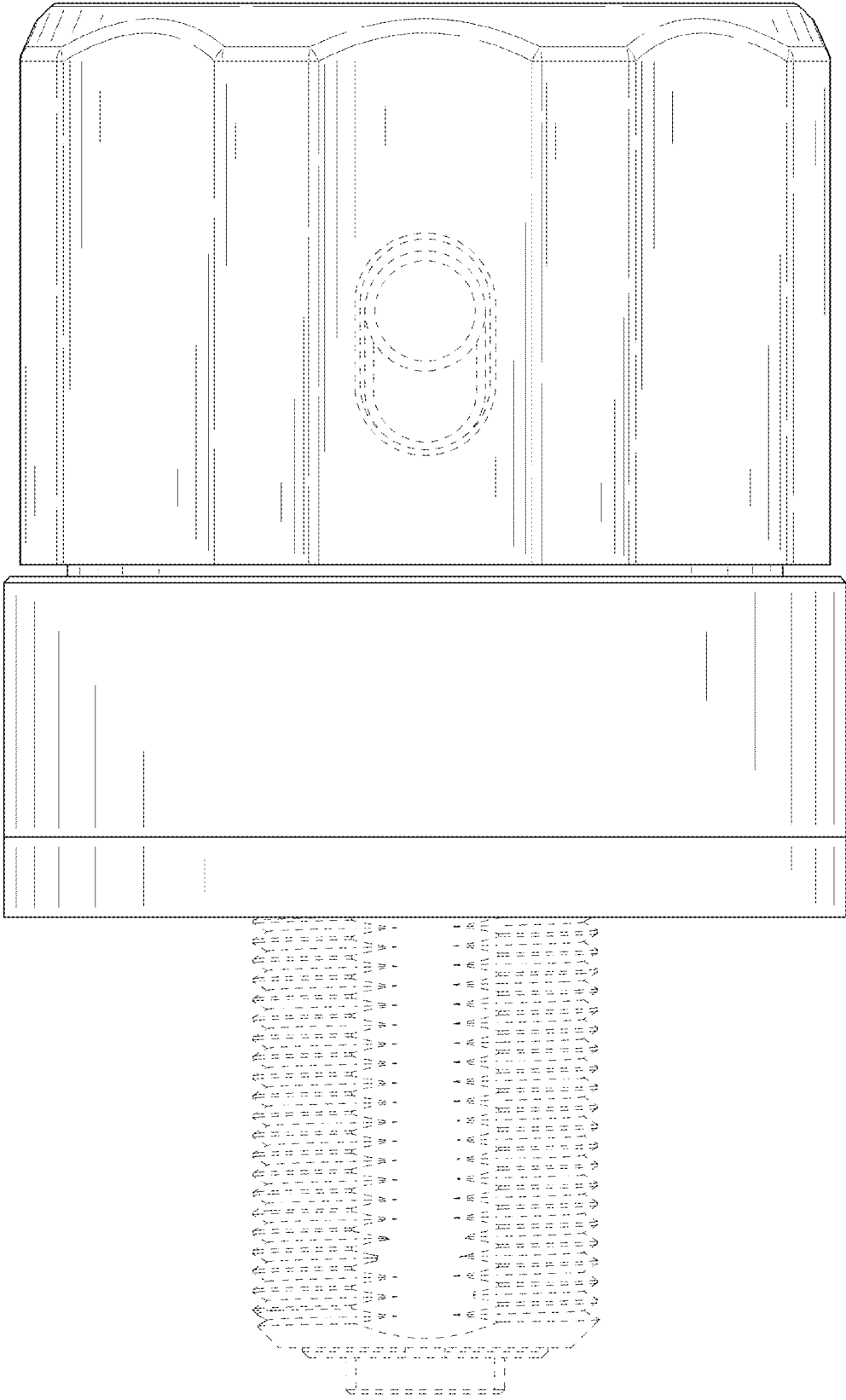


FIG. 8