



US00D749706S

(12) **United States Design Patent**  
**Johansen**

(10) **Patent No.:** **US D749,706 S**

(45) **Date of Patent:** **\*\* Feb. 16, 2016**

(54) **FILTER BASKET FOR FLOOR DRAINS**

(71) Applicant: **BLUCHER METAL A/S**, Vildbjerg (DK)

(72) Inventor: **Per Thanning Johansen**, Silkeborg (DK)

(73) Assignee: **Blucher Metal A/S**, Vildbjerg (DK)

(\*\*) Term: **14 Years**

(21) Appl. No.: **29/502,076**

(22) Filed: **Sep. 11, 2014**

(30) **Foreign Application Priority Data**

Mar. 13, 2014 (EM) ..... 002424382

(51) **LOC (10) Cl.** ..... **23-01**

(52) **U.S. Cl.**  
USPC ..... **D23/260**

(58) **Field of Classification Search**  
USPC ..... D23/259-263, 266-269, 233; 251/215, 251/216; 285/369, 372, 373, 417, 133.11, 285/133.3, 133.21, 133.4, 133.5, 133.6; 137/347, 347.41, 347.51

CPC ..... F16L 11/00; F16L 37/252; F16L 41/007; E03C 1/26; E03C 1/262; E03C 1/28; E03F 5/04; A61B 5/00; A61M 25/09016

See application file for complete search history.

(56) **References Cited**

U.S. PATENT DOCUMENTS

2,285,833 A \* 6/1942 Platt ..... E03C 1/264  
210/238  
D249,955 S \* 10/1978 Vogelsang ..... D23/261  
4,134,162 A \* 1/1979 Sharland ..... E03C 1/264  
4/292

D255,480 S \* 6/1980 Zieg ..... 210/483  
D354,795 S \* 1/1995 Heligman ..... D23/209  
D449,873 S \* 10/2001 Bronson ..... D23/261  
D450,106 S \* 11/2001 Herr ..... D23/261  
D462,422 S \* 9/2002 Conner ..... D23/261  
D567,020 S \* 4/2008 Bodum ..... D7/387  
7,531,092 B2 \* 5/2009 Hazlehurst ..... B01D 35/26  
210/232  
D599,444 S \* 9/2009 Jones ..... D23/261  
D651,694 S \* 1/2012 Clark ..... D23/261  
D694,851 S \* 12/2013 Solakian ..... D23/209  
D702,327 S \* 4/2014 Dannrup ..... D23/261  
D723,672 S \* 3/2015 Larkin ..... D23/268

\* cited by examiner

*Primary Examiner* — Sandra Snapp

(74) *Attorney, Agent, or Firm* — Sheridan Ross P.C.

(57) **CLAIM**

The ornamental design for a filter basket for floor drains, as shown and described.

**DESCRIPTION**

FIG. 1 is a perspective view of the filter basket for floor drains in a first embodiment

FIG. 2 is a top plan view of the embodiment of FIG. 1;

FIG. 3 is a bottom plan view of the embodiment of FIG. 1;

FIG. 4 is a front elevation view of the embodiment of FIG. 1, a rear elevation view being the same;

FIG. 5 is a left side view of the embodiment of FIG. 1, a right side view being the same;

FIG. 6 is a perspective view of the filter basket for floor drains in a second embodiment;

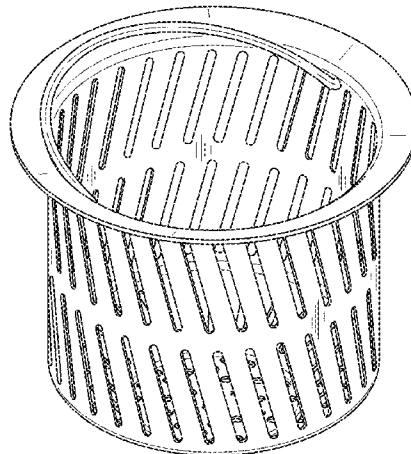
FIG. 7 is a top plan view of the embodiment of FIG. 6;

FIG. 8 is a bottom plan view of the embodiment of FIG. 6;

FIG. 9 is a front elevation view of the embodiment of FIG. 6, a rear elevation view being the same; and,

FIG. 10 is a left side view of the embodiment of FIG. 6, a right side view being the same.

**1 Claim, 6 Drawing Sheets**



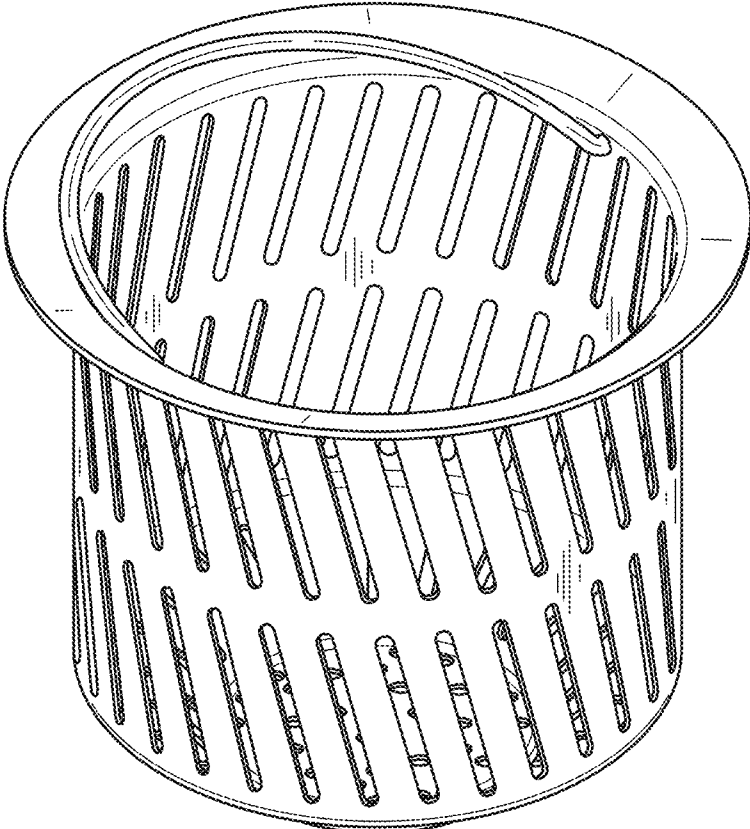


FIG.1

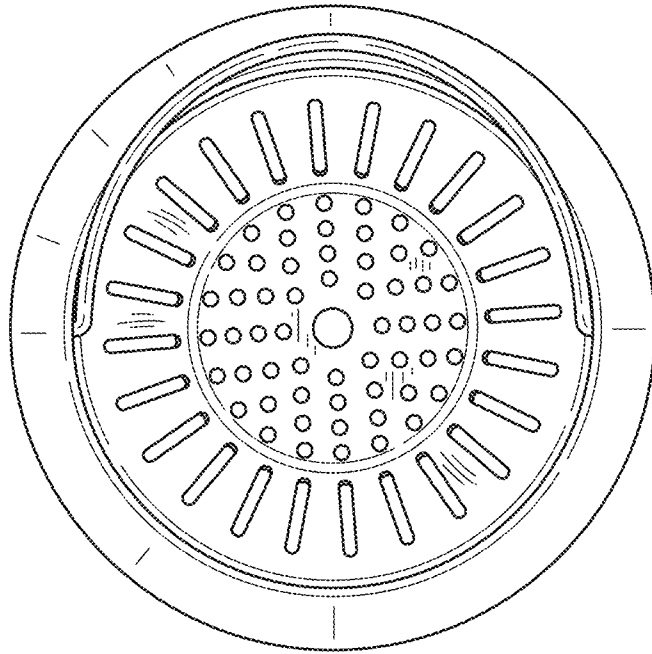


FIG. 2

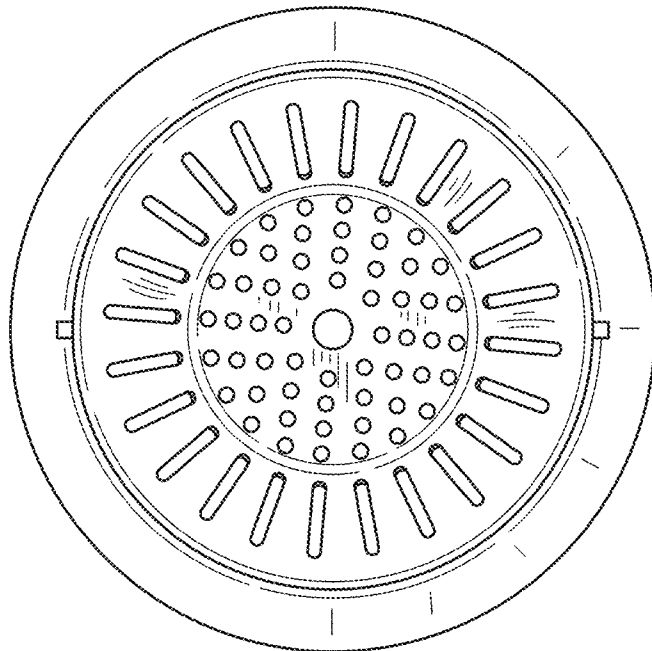


FIG. 3

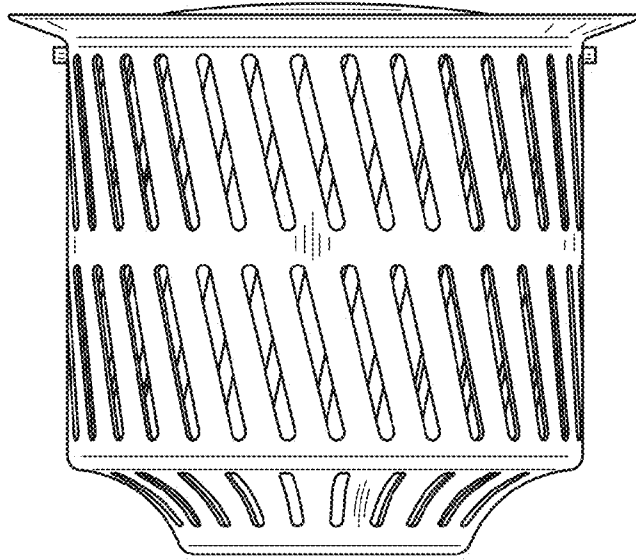


FIG. 4

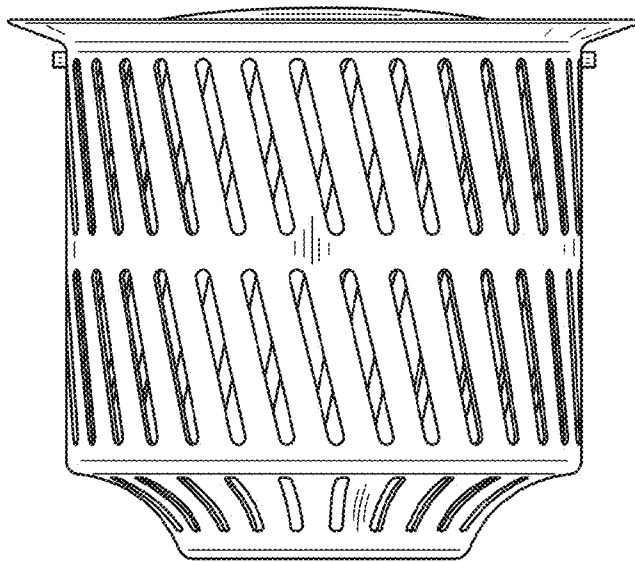


FIG. 5

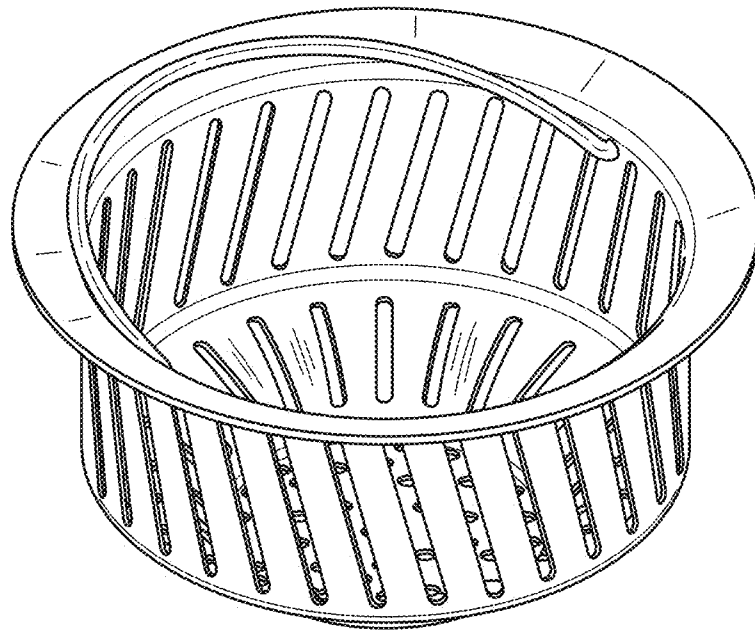


FIG.6

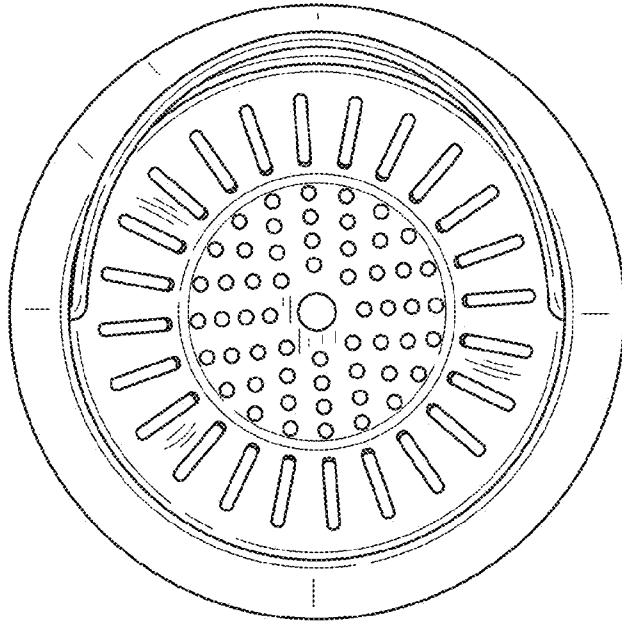


FIG. 7

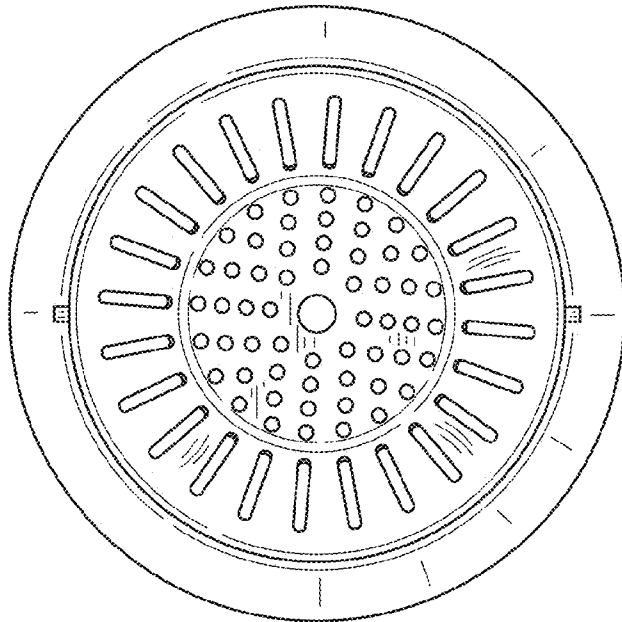


FIG. 8

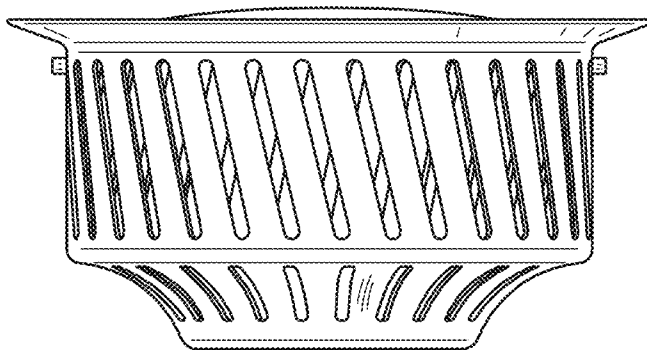


FIG. 9

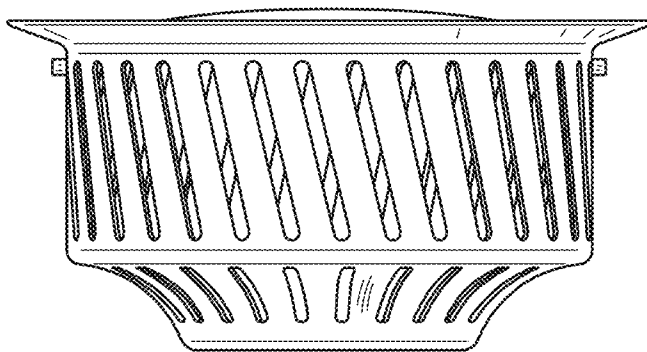


FIG. 10