



US00D529467S

(12) **United States Design Patent** (10) **Patent No.:** **US D529,467 S**
Rose et al. (45) **Date of Patent:** **** Oct. 3, 2006**

(54) **HANDSET**
(75) Inventors: **Scott D. Rose**, Waterloo (CA); **Chris K C Leung**, Waterloo (CA)
(73) Assignee: **Research in Motion Limited**, Ontario (CA)
(**) Term: **14 Years**

(21) Appl. No.: **29/231,090**
(22) Filed: **Jun. 1, 2005**

(51) **LOC (8) Cl.** **14-03**
(52) **U.S. Cl.** **D14/138; D14/147; D14/248**
(58) **Field of Classification Search** D14/137-138, D14/142, 147-150, 159, 191, 205-206, 218, D14/248, 347; 379/428.01, 428.02, 433.01, 379/433.04, 433.07, 434; D21/329, 333, D21/517

See application file for complete search history.

(56) **References Cited**

U.S. PATENT DOCUMENTS

D74,528 S * 2/1928 Wilcox D14/248
D196,921 S * 11/1963 Mattke D14/147
D210,775 S * 4/1968 Dreyfuss D14/248
D284,761 S * 7/1986 Ryan D14/147
D300,743 S * 4/1989 Zaugg et al. D14/147
D339,128 S * 9/1993 Claxton et al. D14/138
D344,943 S * 3/1994 Kajita et al. D14/138
D345,157 S * 3/1994 Happo et al. D14/138
D352,028 S * 11/1994 Siddoway et al. D14/138
D352,930 S * 11/1994 Tsuji D13/168
D354,960 S * 1/1995 Viemeister et al. D14/248
D355,181 S * 2/1995 Siddoway D14/138
D357,921 S * 5/1995 Ming-Chin D14/223
D366,876 S * 2/1996 Labohm D14/218
D369,357 S * 4/1996 Ford et al. D14/248
D378,678 S * 4/1997 Tyneski et al. D14/137

D382,874 S * 8/1997 Peschke et al. D14/142
D391,578 S * 3/1998 Brunner et al. D14/248
D394,065 S * 5/1998 Nuttall et al. D14/248
D405,787 S * 2/1999 Renk D14/147
D410,647 S * 6/1999 Lytel D14/147
D418,517 S * 1/2000 IP D14/248
D429,713 S * 8/2000 Lytel D14/147
D477,821 S * 7/2003 Bieltvedt et al. D14/206
D509,210 S * 9/2005 Skulley et al. D14/205
D517,440 S * 3/2006 Gehalo et al. D10/106
2004/0062388 A1 * 4/2004 MacDonald et al. ... 379/433.03

FOREIGN PATENT DOCUMENTS

WO DM/056543 * 6/2001

* cited by examiner

Primary Examiner—Jeffrey D. Asch
Assistant Examiner—Carla Jobe Wright
(74) *Attorney, Agent, or Firm*—Brij K. Agarwal; Eckert Seamans Cherin & Mellott, LLC

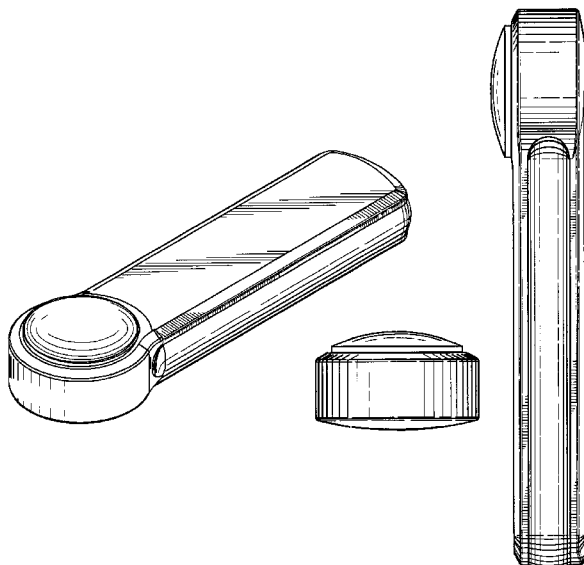
(57) **CLAIM**

The ornamental design for a handset, as shown and described.

DESCRIPTION

FIG. 1 is a perspective view of a handset depicting our new design;
FIG. 2 is another perspective view thereof;
FIG. 3 is a top plan view thereof;
FIG. 4 is a left side elevational view thereof;
FIG. 5 is a front elevational view thereof;
FIG. 6 is a right side elevational view thereof;
FIG. 7 is a rear elevational view thereof; and,
FIG. 8 is a bottom plan view thereof.
The broken lines shown in the drawings are for illustrative purposes only and form no part of the claimed design.

1 Claim, 3 Drawing Sheets



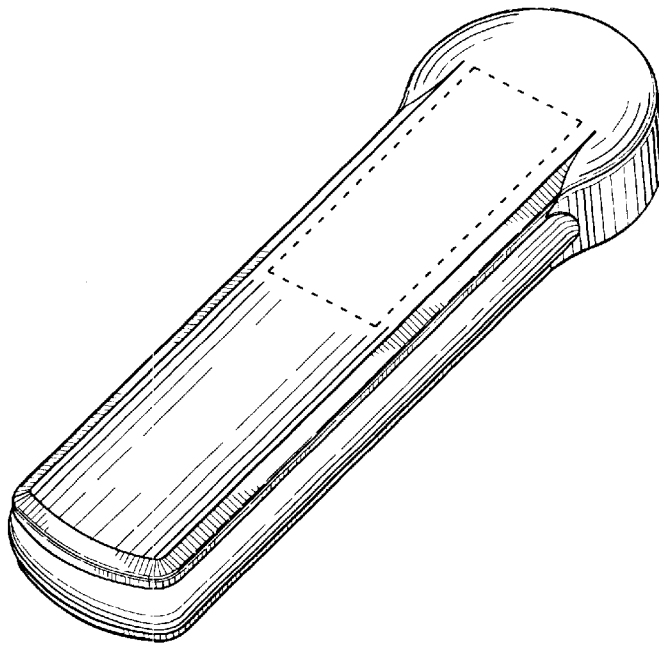


FIG. 1

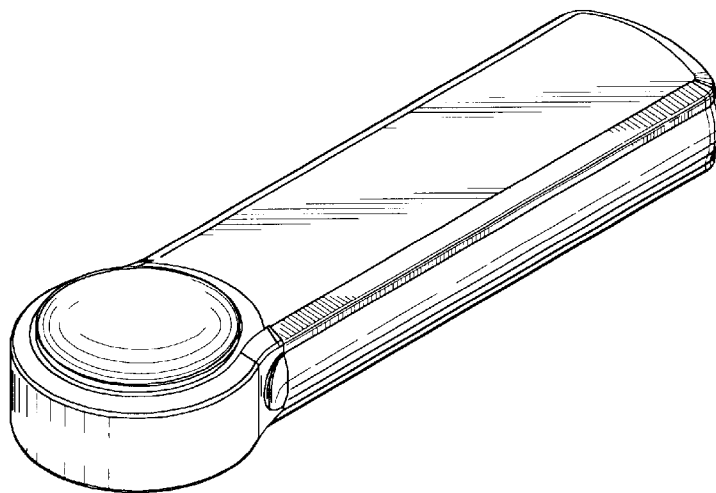


FIG. 2

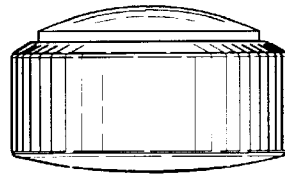


FIG.3



FIG.4

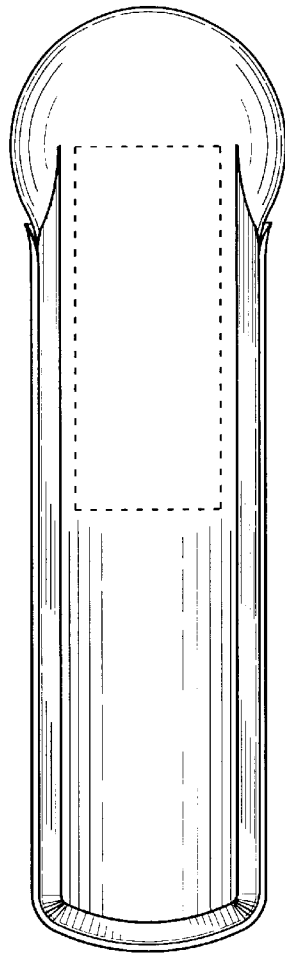


FIG.5

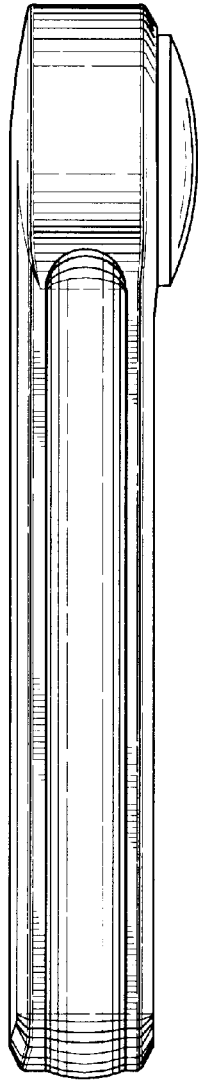


FIG. 6

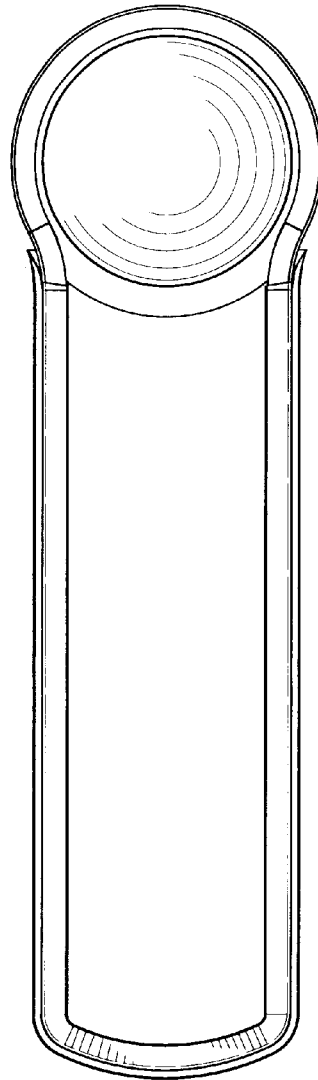


FIG. 7

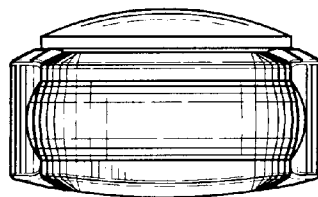


FIG. 8