



- (51) International Patent Classification: *A01F 12/40* (2006.01) *A01D 41/12* (2006.01)
- (21) International Application Number: PCT/US2013/056413
- (22) International Filing Date: 23 August 2013 (23.08.2013)
- (25) Filing Language: English
- (26) Publication Language: English
- (30) Priority Data: 13/600,758 31 August 2012 (31.08.2012) US
- (71) Applicant: CNH AMERICA LLC [US/US]; 500 Diller Avenue, New Holland, Pennsylvania 17557 (US).
- (72) Inventors: DILTS, Mark David; 976 West Main Street, Apt. One, New Holland, Pennsylvania 17557 (US). ISAAC, Nathan E.; 489 Parkwynne Road, Lancaster, Pennsylvania 17601 (US).
- (74) Agents: BONDURA, Stephen, E. et al.; DORITY & MANNING, P.A., P O Box 1449, Greenville, South Carolina 29602-1449 (US).
- (81) Designated States (unless otherwise indicated, for every kind of national protection available): AE, AG, AL, AM, AO, AT, AU, AZ, BA, BB, BG, BH, BN, BR, BW, BY, BZ, CA, CH, CL, CN, CO, CR, CU, CZ, DE, DK, DM, DO, DZ, EC, EE, EG, ES, FI, GB, GD, GE, GH, GM, GT, HN, HR, HU, ID, IL, IN, IS, JP, KE, KG, KN, KP, KR, KZ, LA, LC, LK, LR, LS, LT, LU, LY, MA, MD, ME, MG, MK, MN, MW, MX, MY, MZ, NA, NG, NI, NO, NZ, OM, PA, PE, PG, PH, PL, PT, QA, RO, RS, RU, RW, SA, SC, SD, SE, SG, SK, SL, SM, ST, SV, SY, TH, TJ, TM, TN, TR, TT, TZ, UA, UG, US, UZ, VC, VN, ZA, ZM, ZW.
- (84) Designated States (unless otherwise indicated, for every kind of regional protection available): ARIPO (BW, GH, GM, KE, LR, LS, MW, MZ, NA, RW, SD, SL, SZ, TZ, UG, ZM, ZW), Eurasian (AM, AZ, BY, KG, KZ, RU, TJ, TM), European (AL, AT, BE, BG, CH, CY, CZ, DE, DK, EE, ES, FI, FR, GB, GR, HR, HU, IE, IS, IT, LT, LU, LV,

[Continued on next page]

(54) Title: SYSTEM AND METHOD FOR CONTROLLING THE SPREADING OF CROP RESIDUE EXPELLED FROM AN AGRICULTURAL COMBINE

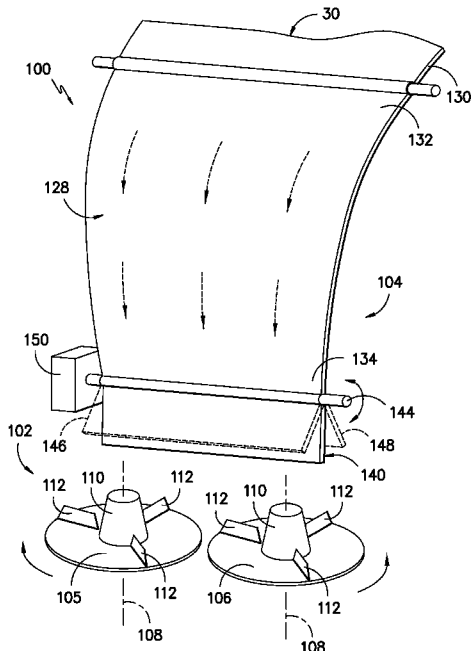


FIG. -3-

(57) Abstract: A system (100) for controlling the spreading of crop residue expelled from an agricultural combine (12) is disclosed. The system (100) may include a spreader (42, 102) configured to expel crop residue from the combine (12). The spreader (42, 102) may include at least one spreader disc (105, 106) configured to be rotated about an axis (108). In addition, the system (100) may include a windrow door (32, 104) having an inner surface (138, 142) defining a flow path for directing the crop residue into the spreader (42, 102). At least a portion of the windrow door (32, 104) may be configured to be moved relative to the spreader (42, 102) so as to adjust a location at which the crop residue is introduced onto the at least one spreader disc (105, 106).

WO 2014/035825 A3



MC, MK, MT, NL, NO, PL, PT, RO, RS, SE, SI, SK,
SM, TR), OAPI (BF, BJ, CF, CG, CI, CM, GA, GN, GQ,
GW, KM, ML, MR, NE, SN, TD, TG).

— before the expiration of the time limit for amending the
claims and to be republished in the event of receipt of
amendments (Rule 48.2(h))

Published:

— with international search report (Art. 21(3))

(88) Date of publication of the international search report:

24 April 2014

INTERNATIONAL SEARCH REPORT

International application No PCT/US2013/056413

A. CLASSIFICATION OF SUBJECT MATTER INV. A01F12/40 A01D41/12 ADD.				
According to International Patent Classification (IPC) or to both national classification and IPC				
B. FIELDS SEARCHED				
Minimum documentation searched (classification system followed by classification symbols) A01F A01D				
Documentation searched other than minimum documentation to the extent that such documents are included in the fields searched				
Electronic data base consulted during the international search (name of data base and, where practicable, search terms used) EPO-Internal, WPI Data				
C. DOCUMENTS CONSIDERED TO BE RELEVANT				
Category*	Citation of document, with indication, where appropriate, of the relevant passages	Relevant to claim No.		
X	US 2009/156277 A1 (BENES JASON M [US] ET AL) 18 June 2009 (2009-06-18) abstract; figures 1-4, 6, 9 -----	1,2,7, 15,16		
X	EP 2 008 505 A1 (CNH BELGIUM NV [BE]) 31 December 2008 (2008-12-31) abstract; figures 1, 4, 6-7 paragraphs [0022], [0026] - [0027], [0041] -----	1-4,7, 15-17		
X	US 4 056 107 A (TODD ROBERT R ET AL) 1 November 1977 (1977-11-01) abstract; figures 1-3 -----	1,2,7, 15,16		
<input type="checkbox"/> Further documents are listed in the continuation of Box C. <input checked="" type="checkbox"/> See patent family annex.				
* Special categories of cited documents : <table style="width: 100%; border: none;"> <tr> <td style="width: 50%; border: none; vertical-align: top;"> "A" document defining the general state of the art which is not considered to be of particular relevance "E" earlier application or patent but published on or after the international filing date "L" document which may throw doubts on priority claim(s) or which is cited to establish the publication date of another citation or other special reason (as specified) "O" document referring to an oral disclosure, use, exhibition or other means "P" document published prior to the international filing date but later than the priority date claimed </td> <td style="width: 50%; border: none; vertical-align: top;"> "T" later document published after the international filing date or priority date and not in conflict with the application but cited to understand the principle or theory underlying the invention "X" document of particular relevance; the claimed invention cannot be considered novel or cannot be considered to involve an inventive step when the document is taken alone "Y" document of particular relevance; the claimed invention cannot be considered to involve an inventive step when the document is combined with one or more other such documents, such combination being obvious to a person skilled in the art "&" document member of the same patent family </td> </tr> </table>			"A" document defining the general state of the art which is not considered to be of particular relevance "E" earlier application or patent but published on or after the international filing date "L" document which may throw doubts on priority claim(s) or which is cited to establish the publication date of another citation or other special reason (as specified) "O" document referring to an oral disclosure, use, exhibition or other means "P" document published prior to the international filing date but later than the priority date claimed	"T" later document published after the international filing date or priority date and not in conflict with the application but cited to understand the principle or theory underlying the invention "X" document of particular relevance; the claimed invention cannot be considered novel or cannot be considered to involve an inventive step when the document is taken alone "Y" document of particular relevance; the claimed invention cannot be considered to involve an inventive step when the document is combined with one or more other such documents, such combination being obvious to a person skilled in the art "&" document member of the same patent family
"A" document defining the general state of the art which is not considered to be of particular relevance "E" earlier application or patent but published on or after the international filing date "L" document which may throw doubts on priority claim(s) or which is cited to establish the publication date of another citation or other special reason (as specified) "O" document referring to an oral disclosure, use, exhibition or other means "P" document published prior to the international filing date but later than the priority date claimed	"T" later document published after the international filing date or priority date and not in conflict with the application but cited to understand the principle or theory underlying the invention "X" document of particular relevance; the claimed invention cannot be considered novel or cannot be considered to involve an inventive step when the document is taken alone "Y" document of particular relevance; the claimed invention cannot be considered to involve an inventive step when the document is combined with one or more other such documents, such combination being obvious to a person skilled in the art "&" document member of the same patent family			
Date of the actual completion of the international search	Date of mailing of the international search report			
14 November 2013	26/02/2014			
Name and mailing address of the ISA/ European Patent Office, P.B. 5818 Patentlaan 2 NL - 2280 HV Rijswijk Tel. (+31-70) 340-2040, Fax: (+31-70) 340-3016	Authorized officer Guillem Gisbert, I			

INTERNATIONAL SEARCH REPORT

International application No.
PCT/US2013/056413

Box No. II Observations where certain claims were found unsearchable (Continuation of item 2 of first sheet)

This international search report has not been established in respect of certain claims under Article 17(2)(a) for the following reasons:

1. Claims Nos.:
because they relate to subject matter not required to be searched by this Authority, namely:

2. Claims Nos.:
because they relate to parts of the international application that do not comply with the prescribed requirements to such an extent that no meaningful international search can be carried out, specifically:

3. Claims Nos.:
because they are dependent claims and are not drafted in accordance with the second and third sentences of Rule 6.4(a).

Box No. III Observations where unity of invention is lacking (Continuation of item 3 of first sheet)

This International Searching Authority found multiple inventions in this international application, as follows:

see additional sheet

1. As all required additional search fees were timely paid by the applicant, this international search report covers all searchable claims.
2. As all searchable claims could be searched without effort justifying an additional fees, this Authority did not invite payment of additional fees.
3. As only some of the required additional search fees were timely paid by the applicant, this international search report covers only those claims for which fees were paid, specifically claims Nos.:
4. No required additional search fees were timely paid by the applicant. Consequently, this international search report is restricted to the invention first mentioned in the claims; it is covered by claims Nos.:

1-10, 15-19

Remark on Protest

- The additional search fees were accompanied by the applicant's protest and, where applicable, the payment of a protest fee.
- The additional search fees were accompanied by the applicant's protest but the applicable protest fee was not paid within the time limit specified in the invitation.
- No protest accompanied the payment of additional search fees.

FURTHER INFORMATION CONTINUED FROM PCT/ISA/ 210

This International Searching Authority found multiple (groups of) inventions in this international application, as follows:

1. claims: 1-10, 15-19

System (apparatus) and method with an agricultural combine comprising a spreader configured to expel crop residue from the combine, the spreader including a spreader disc configured to be rotated about an axis, a windrow door including an inner surface defining a flow path for directing the crop residue into the spreader, wherein at least a portion of the windrow door is configured to be moved relative to the spreader so as to adjust a location at which the crop residue is introduced onto the spreader disc

2. claims: 11-14

System (apparatus) with an agricultural combine comprising a spreader configured to expel crop residue from the combine, a windrow door including an inner surface defining a flow path for directing the crop residue into the spreader and a residue divider extending from the inner surface of the windrow door, the residue divider being configured to divide the crop residue flowing along the inner surface into at least two separate residue flows for introduction into the spreader

INTERNATIONAL SEARCH REPORT

Information on patent family members

International application No
PCT/US2013/056413

Patent document cited in search report	Publication date	Patent family member(s)	Publication date
US 2009156277	A1	18-06-2009	NONE

EP 2008505	A1	31-12-2008	EP 2008505 A1 31-12-2008
			US 2009005137 A1 01-01-2009

US 4056107	A	01-11-1977	NONE
