

(19) World Intellectual Property Organization  
International Bureau



(43) International Publication Date  
2 December 2004 (02.12.2004)

PCT

(10) International Publication Number  
WO 2004/103831 A3

(51) International Patent Classification<sup>7</sup>: F25B 21/02

(21) International Application Number:  
PCT/US2004/016244

(22) International Filing Date: 20 May 2004 (20.05.2004)

(25) Filing Language: English

(26) Publication Language: English

(30) Priority Data:  
60/471,846 20 May 2003 (20.05.2003) US

(71) Applicant and

(72) Inventor: PAHL, Richard, C. [US/US]; 436 Date Palm Court, NE, St. Petersburg, FL 33703 (US).

(74) Agent: MORSE, Dorothy, S.; 515 Park Drive, N.W., Bradenton, FL 34209-1847 (US).

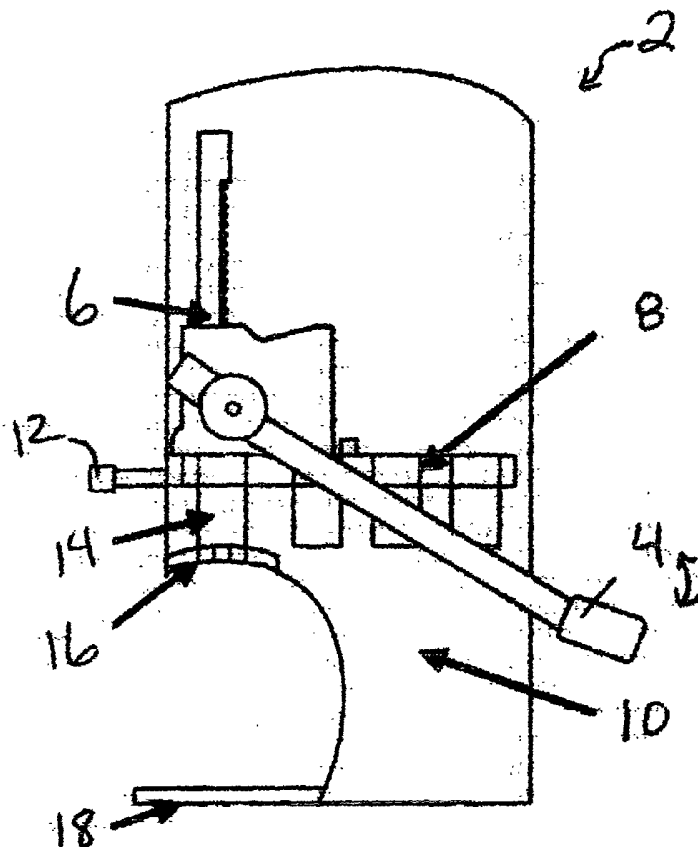
(84) Designated States (unless otherwise indicated, for every kind of regional protection available): ARIPO (BW, GH, GM, KE, LS, MW, MZ, NA, SD, SL, SZ, TZ, UG, ZM, ZW), Eurasian (AM, AZ, BY, KG, KZ, MD, RU, TJ, TM), European (AT, BE, BG, CH, CY, CZ, DE, DK, EE, ES, FI, FR, GB, GR, HU, IE, IT, LU, MC, NL, PL, PT, RO, SE, SI, SK, TR), OAPI (BF, BJ, CF, CG, CI, CM, GA, GN, GQ, GW, ML, MR, NE, SN, TD, TG).

(81) Designated States (unless otherwise indicated, for every kind of national protection available): AE, AG, AL, AM,

Published:  
— with international search report

[Continued on next page]

(54) Title: DISPENSING ASSEMBLY FOR MULTIPLE FROZEN DESSERTS PREPACKAGED IN INDIVIDUAL SERVING SIZE DISPOSABLE CONTAINERS



(57) Abstract: A dispenser capable of moving the pre-measured, individual serving of frozen food product stored in a collapsible cartridge or push pack 20 through a designated dispensing end therein, and then moving the product through a pattern cap 16 and into a receiving vessel positioned under pattern cap 16. Differing numbers of individual cartridges or push packs 20 can be loaded into the various embodiments of the present invention prior to dispensing, for sanitary and prompt food product dispensing without a mess. For embodiments having the pattern cap 16 attached to the push pack or cartridge 20, no clean-up between uses is required. In the alternative, when pattern cap 16 is attached to the dispenser, it would be removable for thorough cleaning between uses. Applications can include the dispensing of frozen dessert products, including but not limited to frozen yogurt, ice cream, sherbet, and sort serve products.

WO 2004/103831 A3



— *before the expiration of the time limit for amending the claims and to be republished in the event of receipt of amendments*


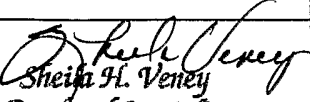
*For two-letter codes and other abbreviations, refer to the "Guidance Notes on Codes and Abbreviations" appearing at the beginning of each regular issue of the PCT Gazette.*

**(88) Date of publication of the international search report:**  
20 January 2005

# INTERNATIONAL SEARCH REPORT

International application No.

PCT/US04/16244

<b>A. CLASSIFICATION OF SUBJECT MATTER</b> IPC(7) : F25B 21/02 US CL : 62/3.64; 222/146.6, 144, 327, 386 According to International Patent Classification (IPC) or to both national classification and IPC		
<b>B. FIELDS SEARCHED</b> Minimum documentation searched (classification system followed by classification symbols) U.S. : 62/3.64; 222/146.6, 144, 327, 386, 326, 387 Documentation searched other than minimum documentation to the extent that such documents are included in the fields searched Electronic data base consulted during the international search (name of data base and, where practicable, search terms used) EAST		
<b>C. DOCUMENTS CONSIDERED TO BE RELEVANT</b>		
Category *	Citation of document, with indication, where appropriate, of the relevant passages	Relevant to claim No.
A ✓	US 3,682,356 A (KARLE) 08 August 1972, see the entire document.	1-7
A ✓	US 5,558,251 A (NERI) 24 September 1996, see the entire document.	1-7
A ✓	US 5,150,820 A (McGILL) 29 September 1992, see the entire document.	1-7
A ✓	US 295,492 A (BROUT) 18 March 1884, see the entire document.	1-7
A ✓	US 5,816,455 A (ALPERS et al) 06 October 1998, see the entire document.	1-7
A	US 5,492,249 A (BEACH) 20 February 1996, see the entire document.	1-7
X	US 5,417,355 A (BROUSSALIAN et al) 23 May 1995, column 3, line 45 to column 4, line 33.	5
<input checked="" type="checkbox"/> Further documents are listed in the continuation of Box C. <input type="checkbox"/> See patent family annex.		
* Special categories of cited documents:		
"A" document defining the general state of the art which is not considered to be of particular relevance	"T" later document published after the international filing date or priority date and not in conflict with the application but cited to understand the principle or theory underlying the invention	
"E" earlier application or patent published on or after the international filing date	"X" document of particular relevance; the claimed invention cannot be considered novel or cannot be considered to involve an inventive step when the document is taken alone	
"L" document which may throw doubts on priority claim(s) or which is cited to establish the publication date of another citation or other special reason (as specified)	"Y" document of particular relevance; the claimed invention cannot be considered to involve an inventive step when the document is combined with one or more other such documents, such combination being obvious to a person skilled in the art	
"O" document referring to an oral disclosure, use, exhibition or other means	"&" document member of the same patent family	
"P" document published prior to the international filing date but later than the priority date claimed		
Date of the actual completion of the international search 12 October 2004 (12.10.2004)	Date of mailing of the international search report <b>19 NOV 2004</b>	
Name and mailing address of the ISA/US Mail Stop PCT, Attn: ISA/US Commissioner for Patents P.O. Box 1450 Alexandria, Virginia 22313-1450 Facsimile No. (703) 305-3230	Authorized officer  Denise L. Esquivel Telephone No. (703) 308-0975  Sheila H. Veney Paralegal Specialist Tech. Center 3700	

**INTERNATIONAL SEARCH REPORT**

International application No.  
PCT/US04/16244

**C. (Continuation) DOCUMENTS CONSIDERED TO BE RELEVANT**

Category *	Citation of document, with indication, where appropriate, of the relevant passages	Relevant to claim No.
Y --- A	US 3,321,108 A (BOWE) 23 May 1967, column 2, lines 42-44.	1-5, 7 ----- 6
Y ✓ --- A	US 5,890,629 A (LOEW) 06 April 1999, column 5, line 38 to column 6, line51.	1-5, 7 ----- 6