



US00D499476S

(12) **United States Design Patent** (10) **Patent No.:** **US D499,476 S**
Holderfield et al. (45) **Date of Patent:** **** Dec. 7, 2004**

(54) **AIR CLEANER**

D477,661 S 7/2003 Pinchuk

(75) Inventors: **Greg J. Holderfield**, Oak Park, IL
(US); **Randall P. Bell**, River Forest, IL
(US)

(73) Assignee: **HoMedics, Inc.**, Commerce Township,
MI (US)

(**) Term: **14 Years**

(21) Appl. No.: **29/190,754**

(22) Filed: **Sep. 25, 2003**

(51) **LOC (7) Cl.** **23-04**

(52) **U.S. Cl.** **D23/364**

(58) **Field of Search** D23/355, 364,
D23/365; 55/467, 471, 472

(56) **References Cited**

U.S. PATENT DOCUMENTS

D379,220 S	*	5/1997	Ellwood	D23/364
D396,275 S	*	7/1998	Pearson	D23/355
D446,577 S		8/2001	Barker et al.		
D449,677 S		10/2001	Denham et al.		
D450,377 S		11/2001	Terpko et al.		
D451,181 S	*	11/2001	Miwa	D23/364
D451,182 S		11/2001	Tsuji		
D456,070 S		4/2002	Garman		
D459,458 S	*	6/2002	Pillion et al.	D23/364
D462,430 S		9/2002	Christianson		
D462,754 S		9/2002	Briggs et al.		
D465,566 S		11/2002	Briggs et al.		
D468,820 S		1/2003	Smith et al.		
D472,626 S		4/2003	Nakamura		
D472,968 S		4/2003	Christianson		
D475,444 S		6/2003	Laferriere et al.		
D476,068 S		6/2003	Carey et al.		

OTHER PUBLICATIONS

Windchaser Ionic Products, HomeWorld Business, Sep. 1–14, 2003.

Queenair Technologies NewAire air purifier, Homeworld Business, Sep. 1–14, 2003.

Holmes tower air purifier, Homeworld Business, Jul. 7–20, 2003.

Hunter air purifiers, Homeworld Business, Mar. 3–16, 2003.

Holmes air purifiers, Homeworld Business, Jan. 20–Feb. 2, 2003.

Honeywell QuietCare air cleaner, Homeworld Business, Jul. 22–Aug. 4, 2002.

Sharper Image Ionic Breeze air purifier, Homeworld Business, Sep. 15–28, 2003.

* cited by examiner

Primary Examiner—Robin V. Taylor

(74) *Attorney, Agent, or Firm*—Brooks Kushman P.C.

(57) **CLAIM**

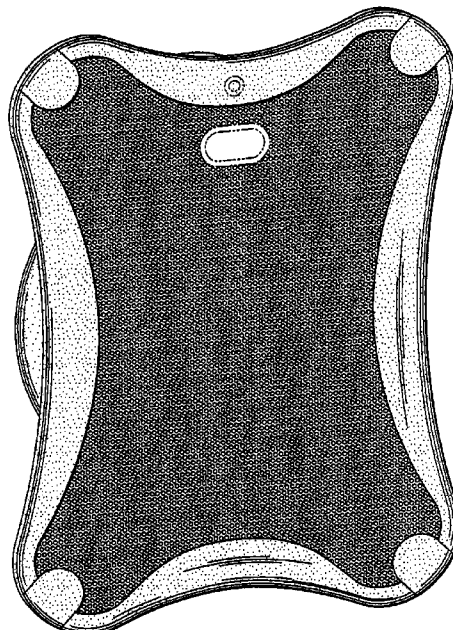
The ornamental design for an air cleaner, as shown and described.

DESCRIPTION

FIG. 1 is a perspective view of the air cleaner; FIG. 2 is a front elevational view of the air cleaner; FIG. 3 is a left side elevational view of the air cleaner, the right side elevational view being a mirror image thereof; FIG. 4 is a rear elevational view of the air cleaner; FIG. 5 is a top plan view of the air cleaner; and, FIG. 6 is a bottom plan view of the air cleaner.

The broken lines are for illustrative purposes only and form no part of the claimed design.

1 Claim, 4 Drawing Sheets



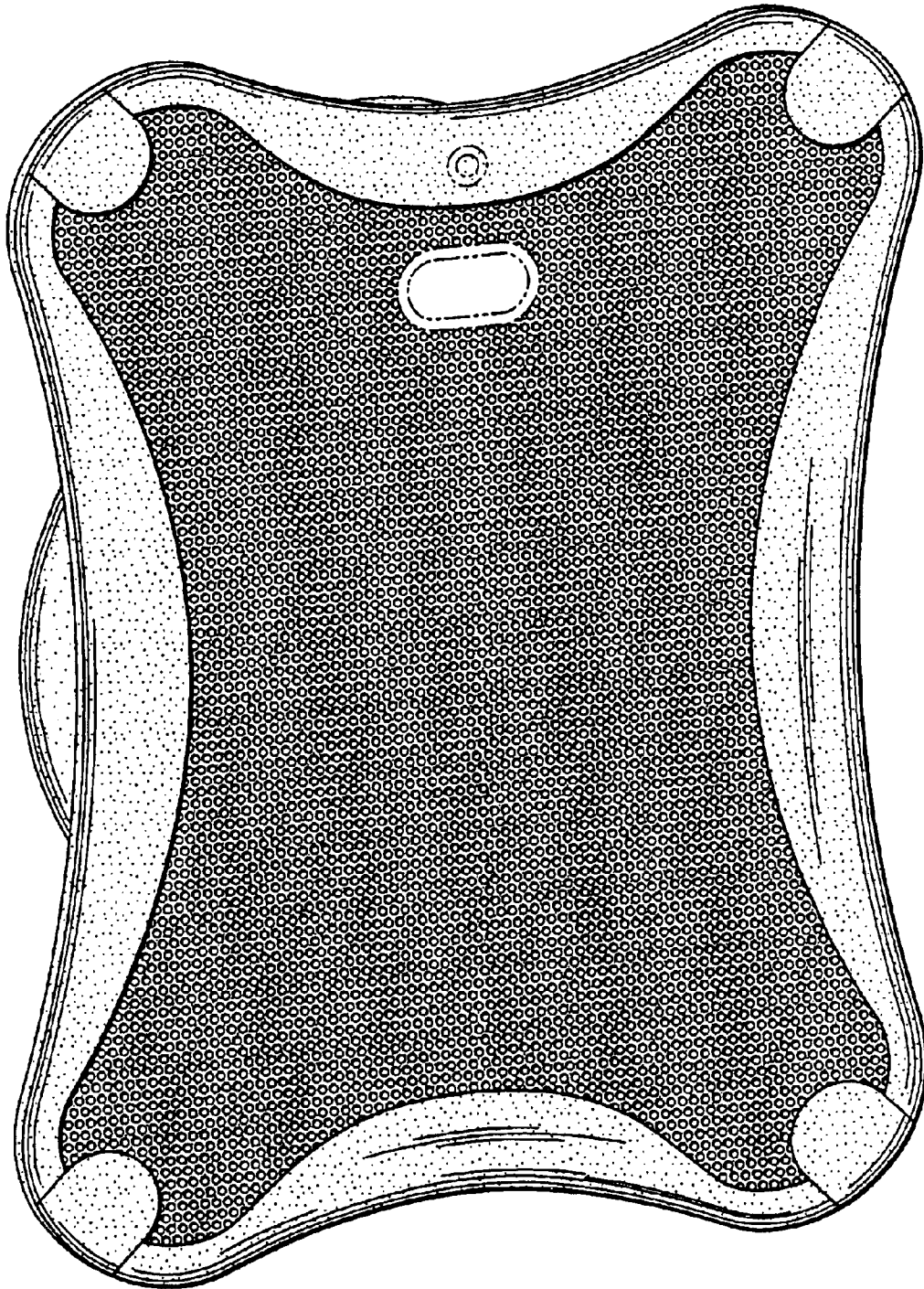


Fig. 1

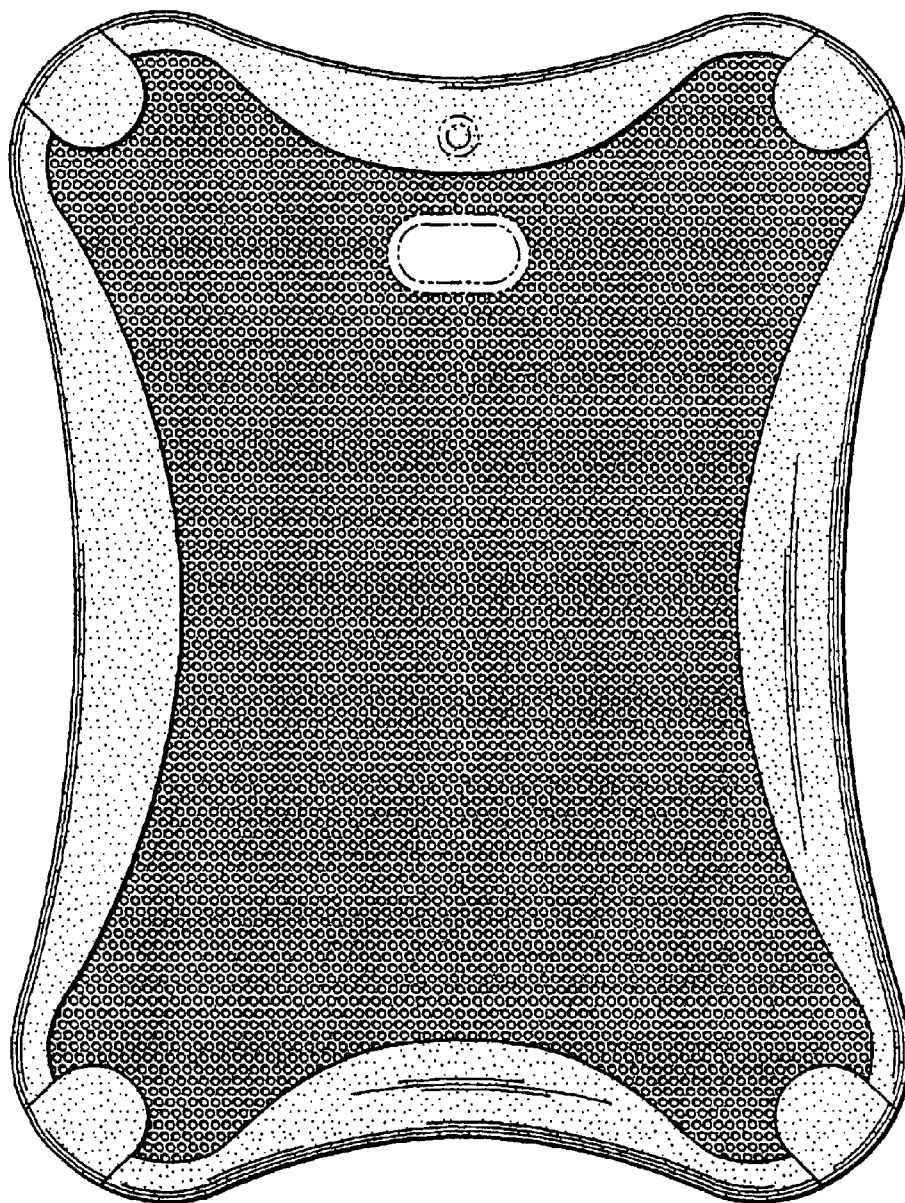


Fig. 2

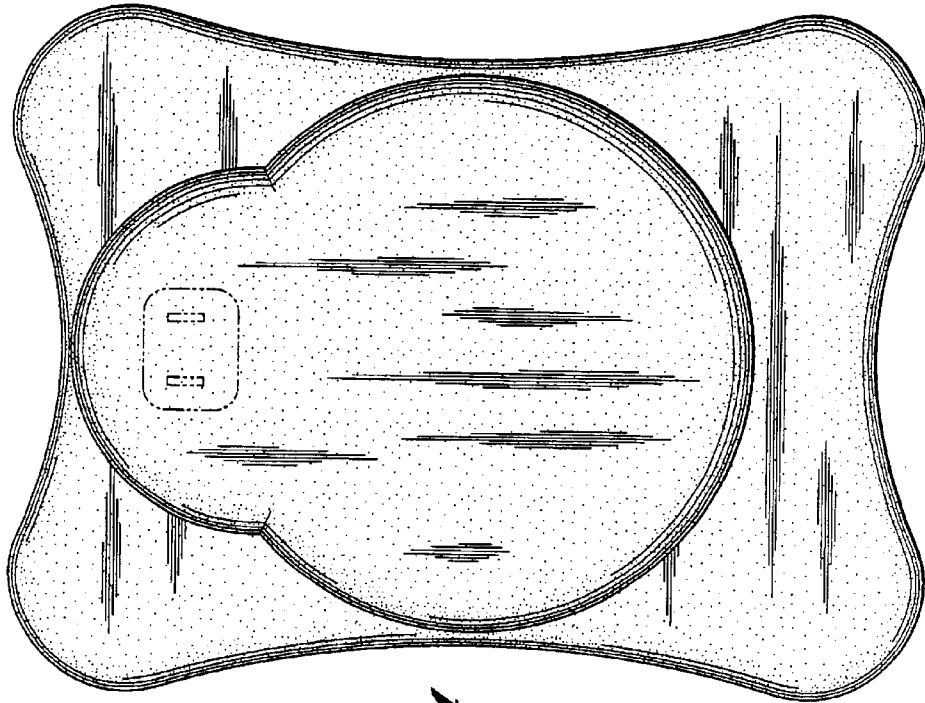


Fig. 4

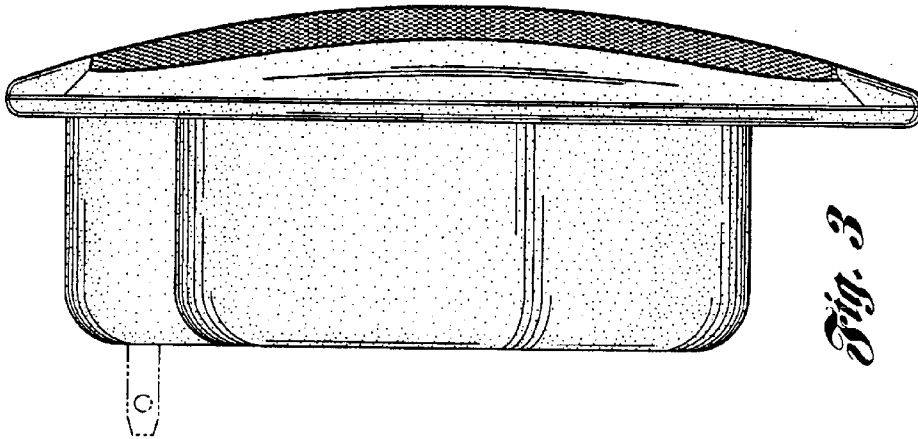


Fig. 3

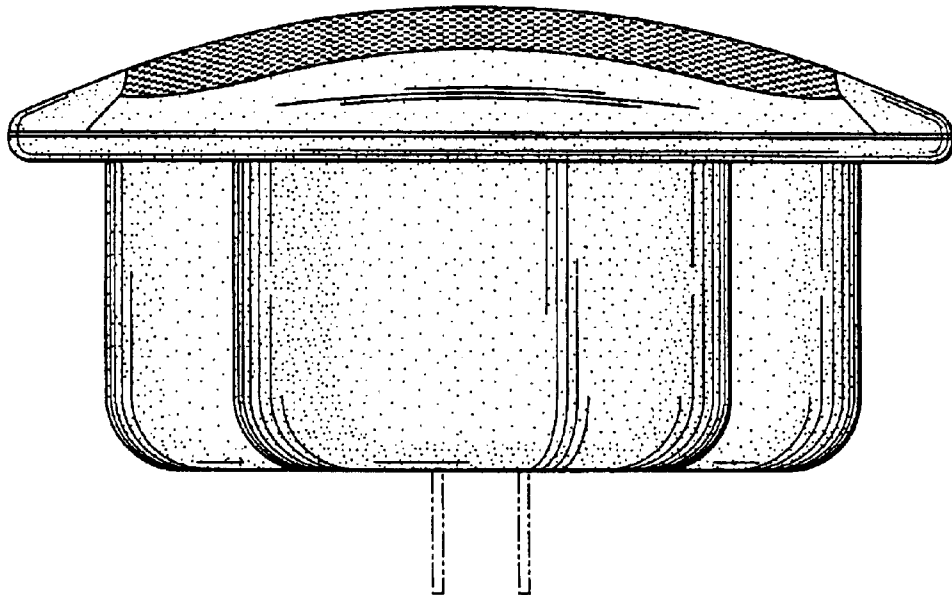


Fig. 5

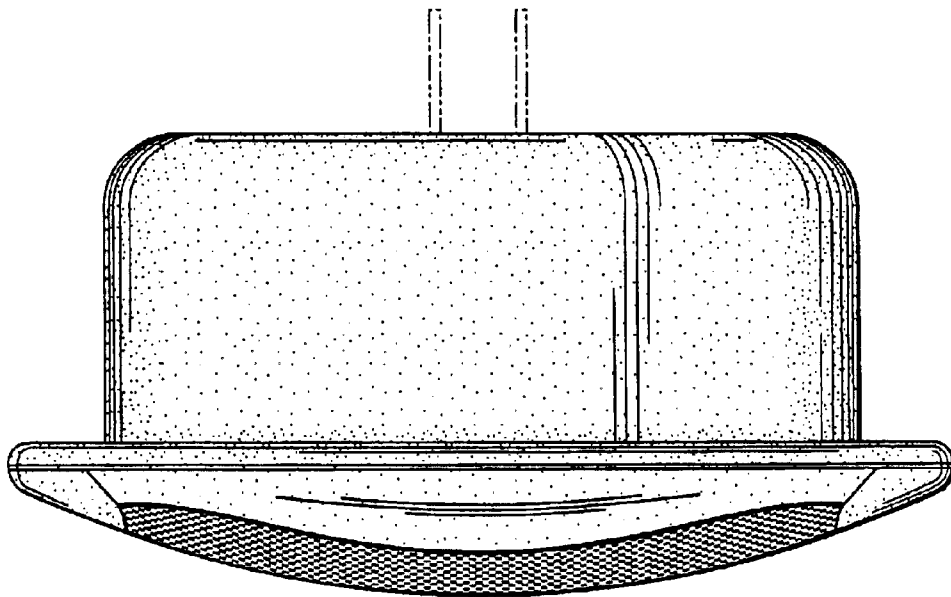


Fig. 6