



US0D1044360S

(12) **United States Design Patent** (10) **Patent No.:** **US D1,044,360 S**
Ashok et al. (45) **Date of Patent:** **** Oct. 1, 2024**

(54) **TABLE**
(71) Applicant: **Charcoal Technologies Private Limited**, Bangalore (IN)
(72) Inventors: **Arjun Ashok**, Bengaluru (IN); **Drishti Desai**, Bengaluru (IN); **Aniz Ali**, Navi Mumbai (IN); **Dinesh Thakur Hemnani**, Nagpur (IN)
(73) Assignee: **CHARCOAL TECHNOLOGIES PRIVATE LIMITED**, Bangalore (IN)
(**) Term: **15 Years**
(21) Appl. No.: **29/854,063**
(22) Filed: **Sep. 21, 2022**
(51) **LOC (14) Cl.** **06-03**
(52) **U.S. Cl.**
USPC **D6/656.17**
(58) **Field of Classification Search**
USPC D6/641, 642, 656, 656.6, 656.17, 685, D6/686, 690, 691, 691.1-691.9
CPC A47B 7/00; A47B 13/00; A47B 13/02; A47B 13/04; A47B 13/06; A47B 13/08; A47B 13/12; A47B 17/00; A47B 21/00; A47B 67/00; A47B 67/04; A47B 2200/0001; A47B 2200/0012; A47B 2200/002
See application file for complete search history.

2019/0328130 A1* 10/2019 Egger A47B 13/02
2020/0229588 A1* 7/2020 Chen A47B 9/04
2021/0052064 A1* 2/2021 Miller A47B 9/00
2023/0270246 A1* 8/2023 Lin A47B 9/04
108/50.02

OTHER PUBLICATIONS

Alle Height-adjustable Desk, by Staffan Holm—Hem <https://us.hem.com/products/alle-height-adjustable-desk> retrieved from the internet on Oct. 5, 2022.*

* cited by examiner

Primary Examiner — Mary Ann Calabrese

(57) **CLAIM**

The ornamental design for table, as shown and described.

DESCRIPTION

FIG. 1 is a front view of a table showing our new design; FIG. 2 is a back view thereof; FIG. 3 is a top view thereof; FIG. 4 is a bottom view thereof; FIG. 5 is a left-side view thereof; FIG. 6 is a right-side view thereof; and, FIG. 7 is a perspective view thereof.
Statement: The portions of the table shown in broken lines form no part of the claimed design.

1 Claim, 7 Drawing Sheets

(56) **References Cited**
U.S. PATENT DOCUMENTS
D950,986 S * 5/2022 Hu D6/656.16
2017/0251806 A1* 9/2017 Newman A47B 21/02

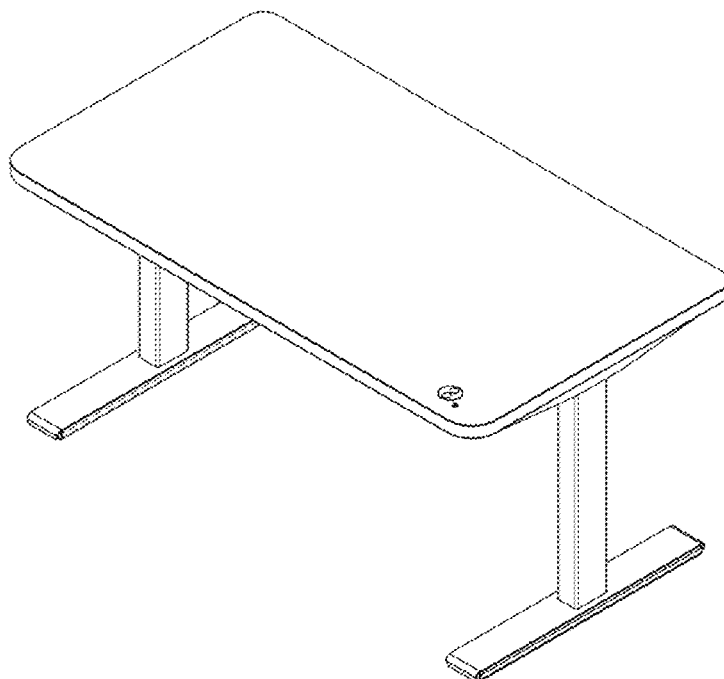




FIG. 1

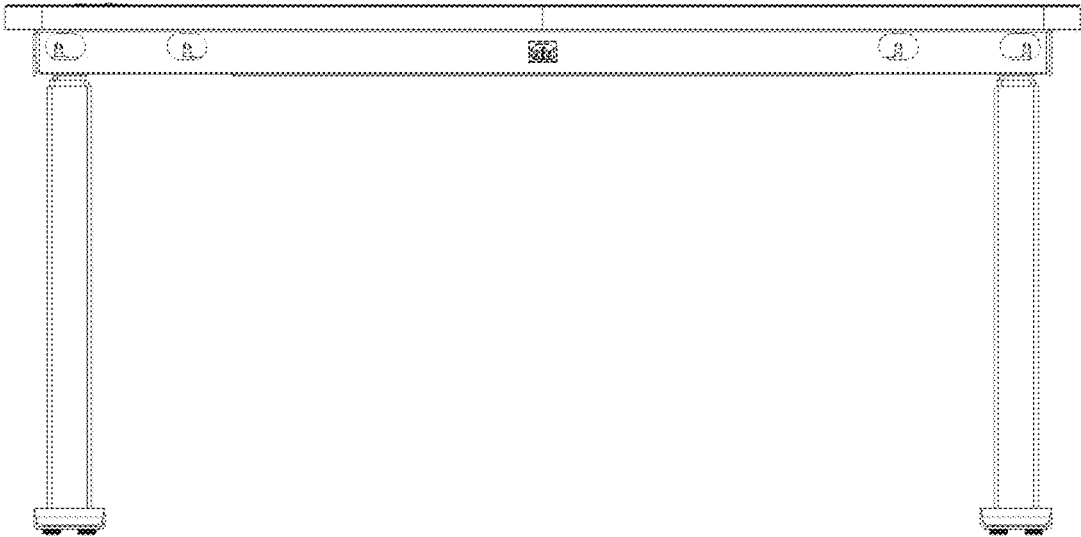


FIG. 2

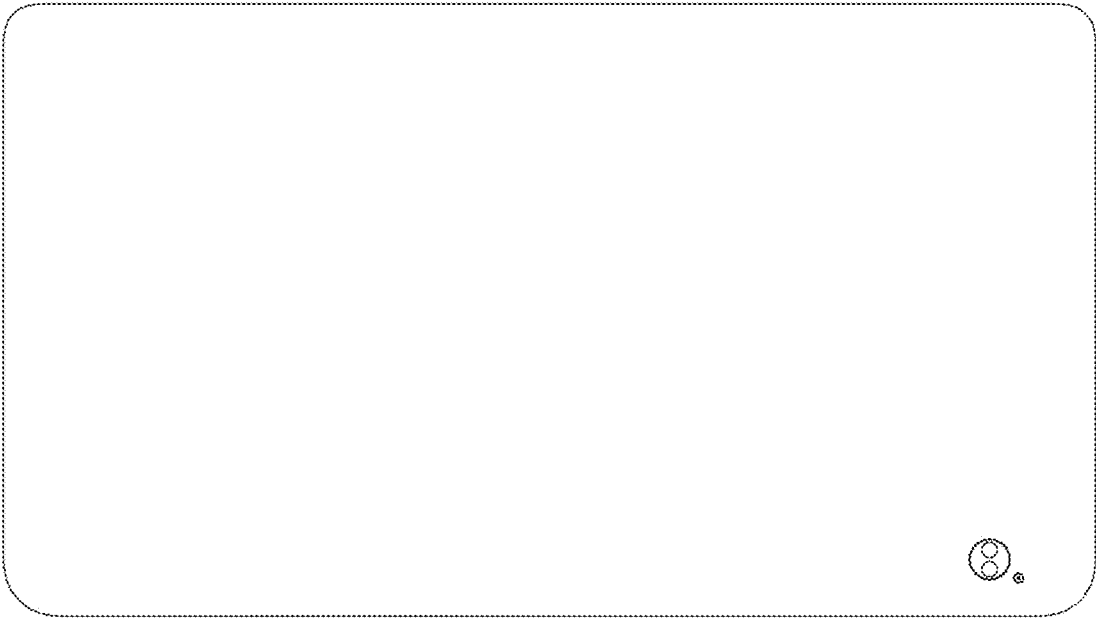


FIG. 3

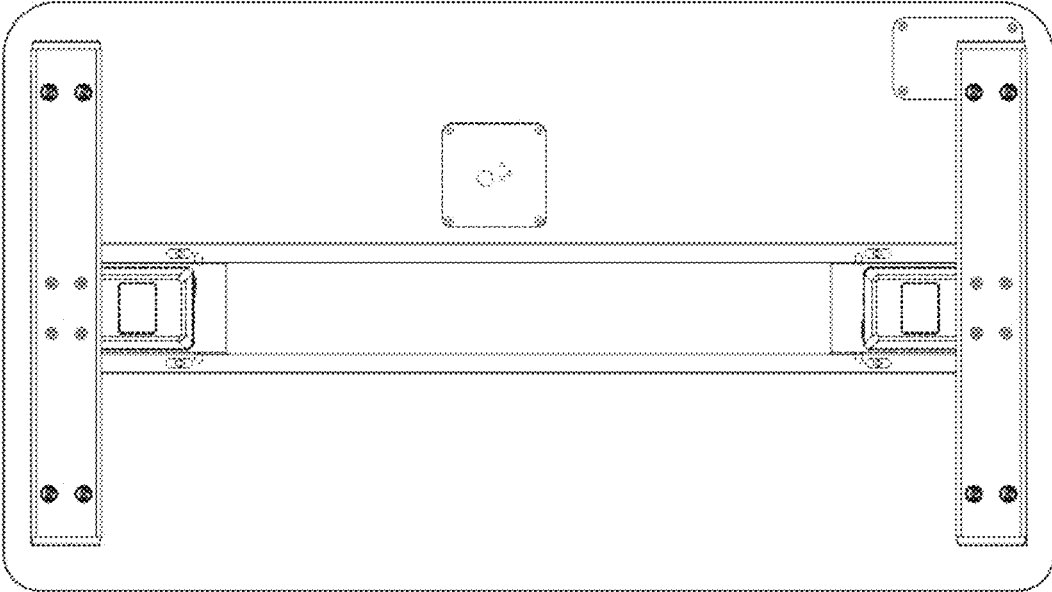


FIG. 4

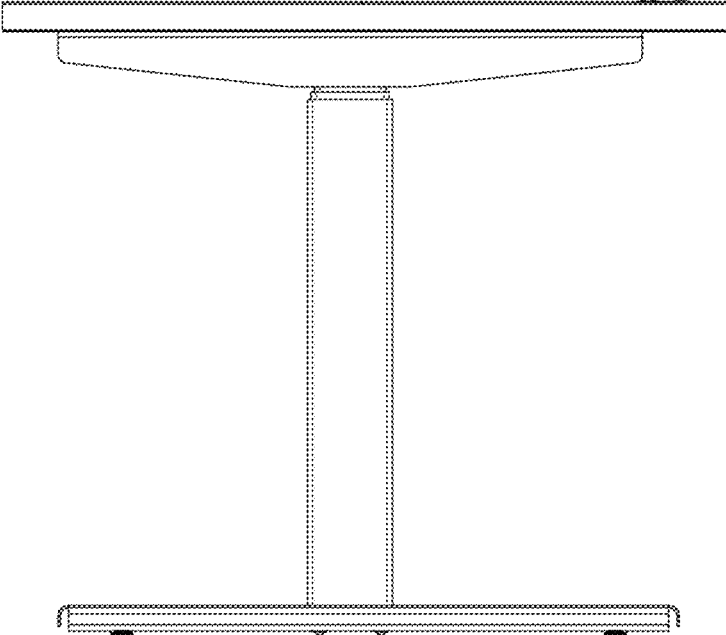


FIG. 5

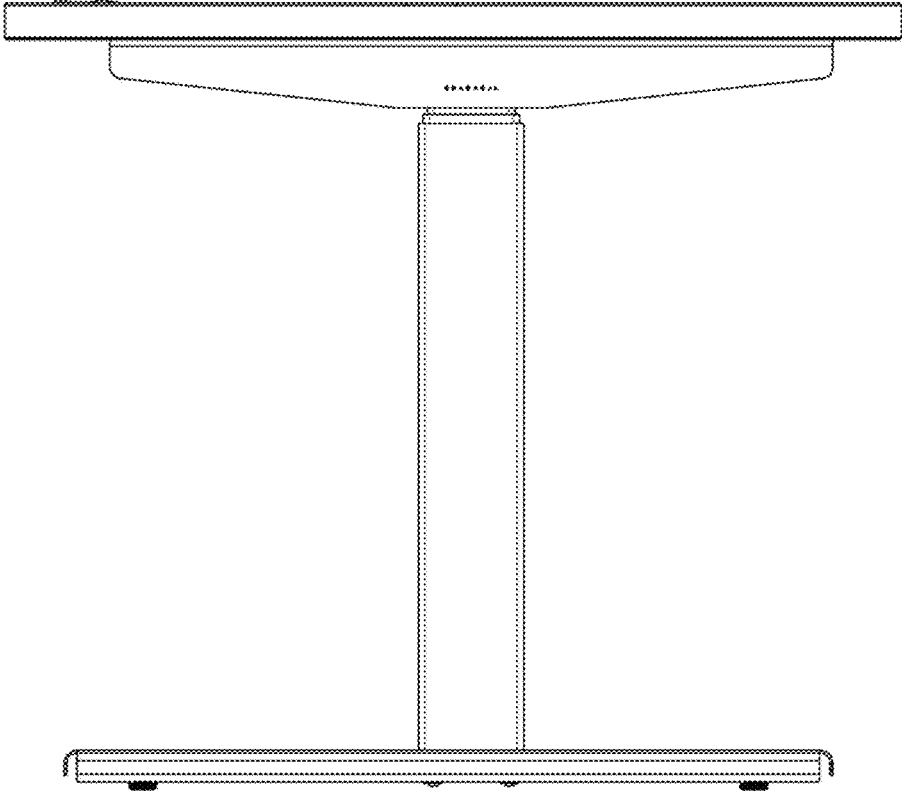


FIG. 6

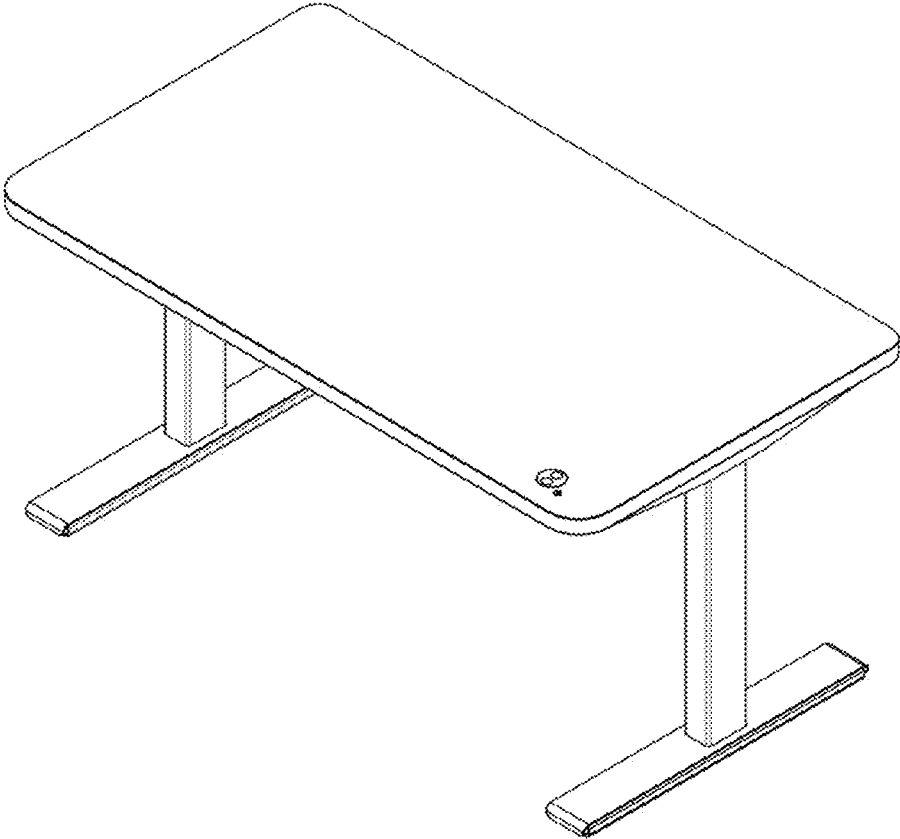


FIG. 7