



(12) **United States Design Patent**
Huang

(10) **Patent No.:** **US D998,565 S**
(45) **Date of Patent:** **** Sep. 12, 2023**

(54) **MAGNETIC FOLDING WIRELESS CHARGER**

(71) Applicant: **SCI MERCHANT LLC**, North Charleston, SC (US)

(72) Inventor: **Weitang Huang**, North Charleston, SC (US)

(73) Assignee: **SCI MERCHANT LLC**, North Charleston, SC (US)

(**) Term: **15 Years**

(21) Appl. No.: **29/870,209**

(22) Filed: **Jan. 18, 2023**

(51) **LOC (14) Cl.** **13-02**

(52) **U.S. Cl.**
USPC **D13/108**

(58) **Field of Classification Search**
USPC D13/103, 107, 108, 118, 119, 184, 199;
D14/251, 252, 432, 433, 434, 439, 447
CPC H02J 7/0044; H02J 7/0045; H04B 1/3877
See application file for complete search history.

(56) **References Cited**

U.S. PATENT DOCUMENTS

6,840,791 B2 *	1/2005	Hsiu	H01R 13/506 439/31
8,056,871 B2 *	11/2011	Matias	F16M 11/10 248/176.1
D693,296 S *	11/2013	Lin	D13/108
D887,973 S *	6/2020	Chen	D13/108
D934,169 S *	10/2021	Huang	D13/108
D957,408 S *	7/2022	Eun	D14/447
D963,571 S *	9/2022	Peng	D13/107
D968,323 S *	11/2022	Wang	D13/108
D968,324 S *	11/2022	Jiang	D13/108

D968,326 S *	11/2022	Luo	D13/108
D973,587 S	12/2022	Wang	
D976,206 S *	1/2023	Lu	D13/108
D976,207 S *	1/2023	Wu	D13/108
2020/0374380 A1 *	11/2020	Wang	H04M 1/04

OTHER PUBLICATIONS

"Nillkin Foldable Stand". Found online Jul. 26, 2022 at amazon.in. Reference dated Jan. 19, 2021. Retrieved from <https://www.amazon.in/Nillkin-Foldable-Tailored-Charging-Aluminium/dp/B08TCCRYLN>. (Year: 2021).*

(Continued)

Primary Examiner — Kendra Leslie Hamilton

Assistant Examiner — Amanda Christensen

(74) *Attorney, Agent, or Firm* — Nitin Kaushik

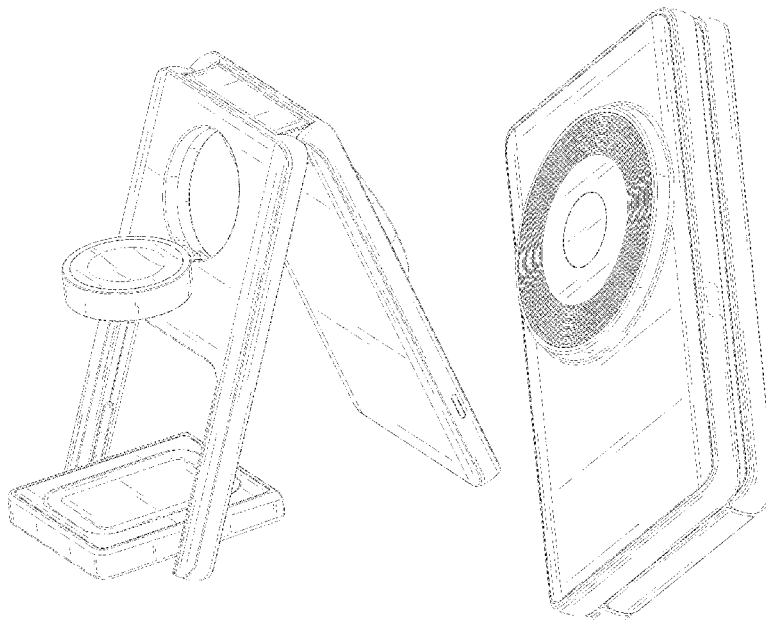
(57) **CLAIM**

The ornamental design for a magnetic folding wireless charger, as shown and described.

DESCRIPTION

FIG. 1 is a front perspective view of a magnetic folding wireless charger, showing my new design;
FIG. 2 is a rear perspective view thereof;
FIG. 3 is a front view thereof;
FIG. 4 is a rear view thereof;
FIG. 5 is a left side view thereof;
FIG. 6 is a right side view thereof;
FIG. 7 is a top view thereof;
FIG. 8 is a bottom view thereof;
FIG. 9 is a rear perspective view of the magnetic folding wireless charger, shown folded in a second configuration; and,
FIG. 10 is a front perspective view thereof.
The broken lines depict elements of the magnetic folding wireless charger that form no part of the claimed design.

1 Claim, 10 Drawing Sheets



(56)

References Cited

OTHER PUBLICATIONS

“Compact Wireless Charging Pad and Phone Stand”. Found online Apr. 7, 2021 at 4imprint.com. Reference dated Apr. 7, 2021. Retrieved from <https://www.4imprint.com/product/159375-24HR/Compact-Wireless-Charging-Pad-and-Phone-Stand-24-hr>. (Year: 2021).*

“Lamicall Adjustable Tablet Stand Holder”. Found online Apr. 6, 2021 at amazon.com. Reference dated Sep. 19, 2019. Retrieved from https://www.amazon.com/Lamicall-Adjustable-Tablet-Stand-Holder/dp/B07Y31XQNY/ref=sr_1_22. (Year: 2019).*

* cited by examiner

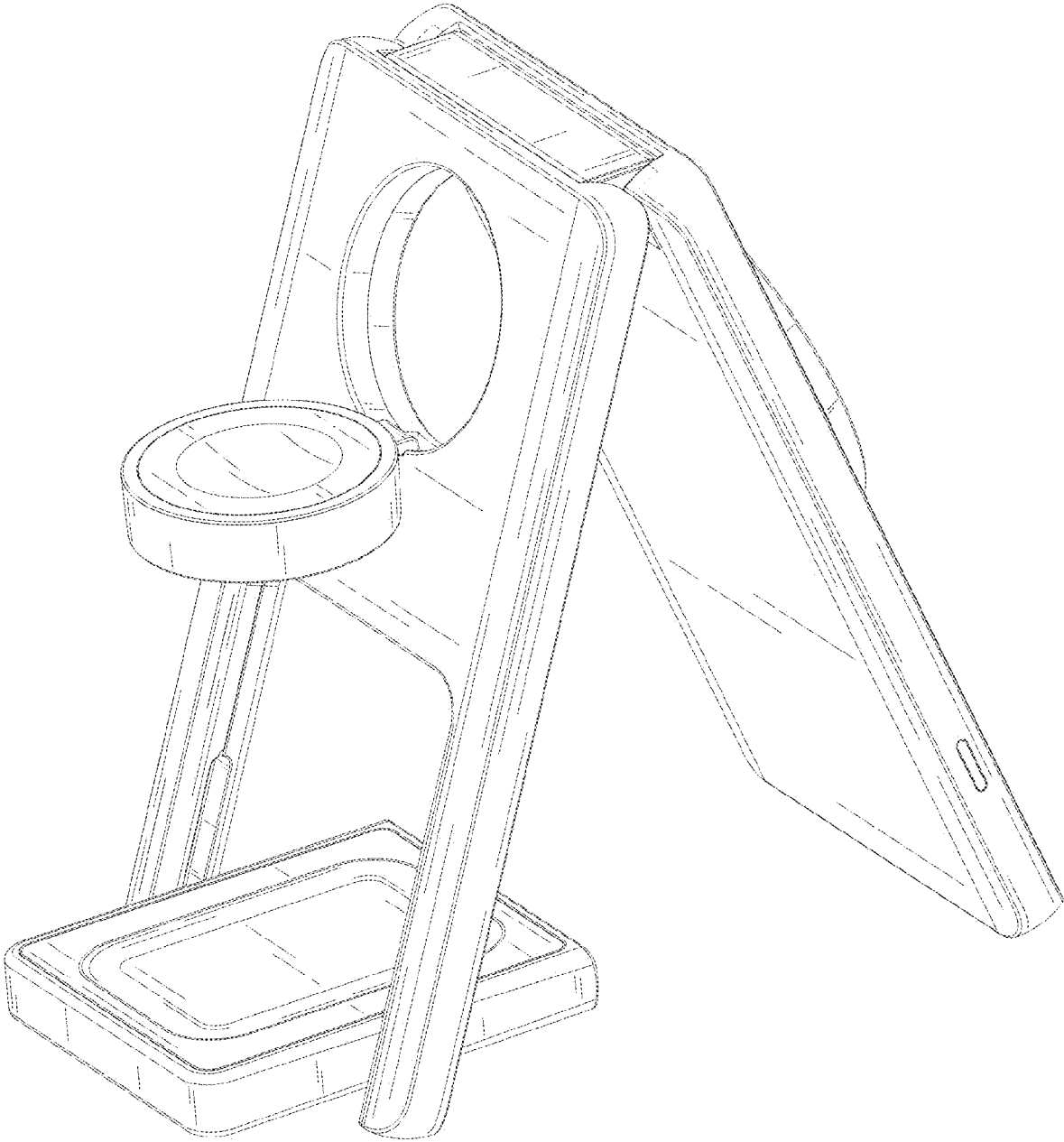


FIG. 1

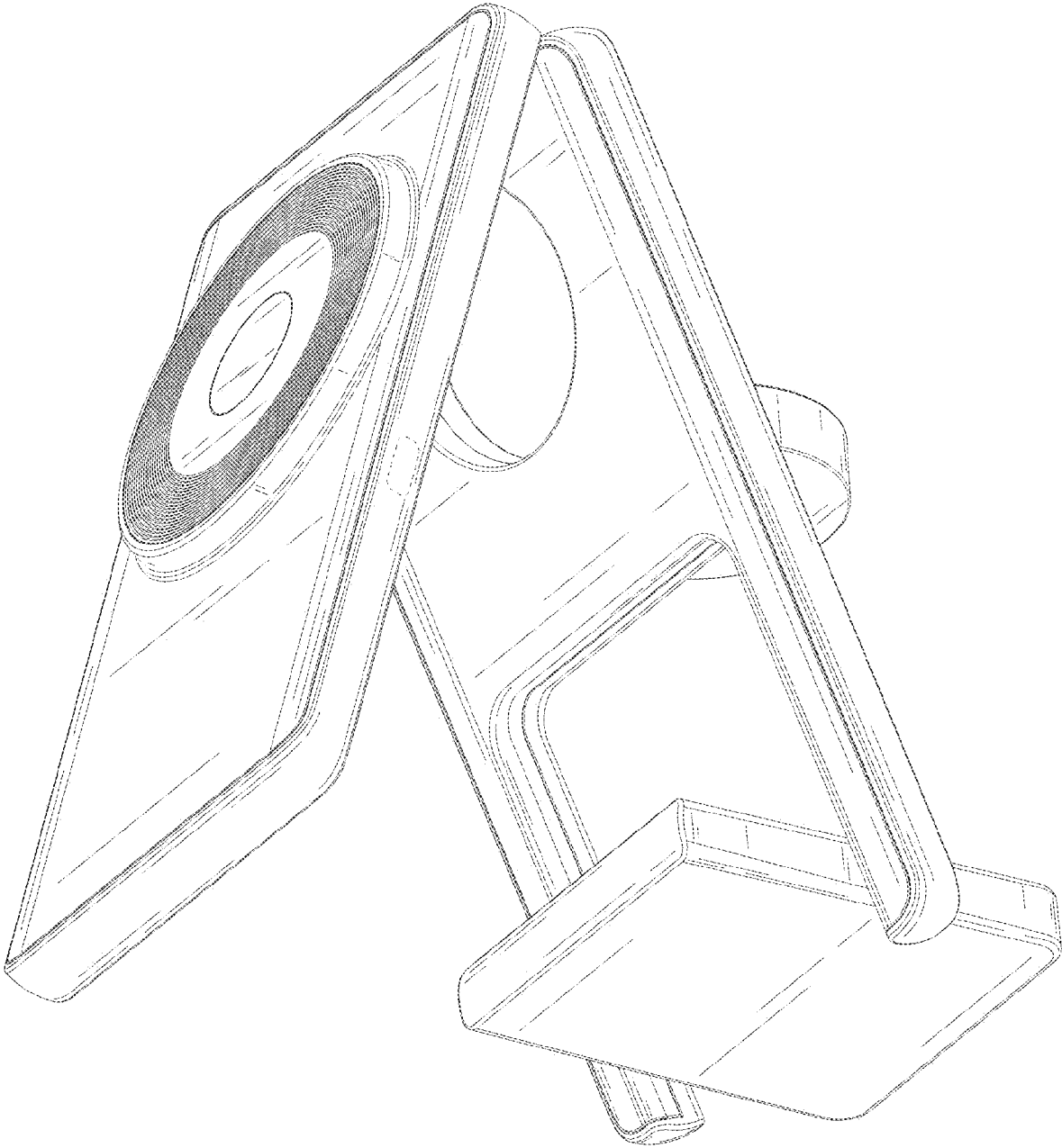


FIG. 2

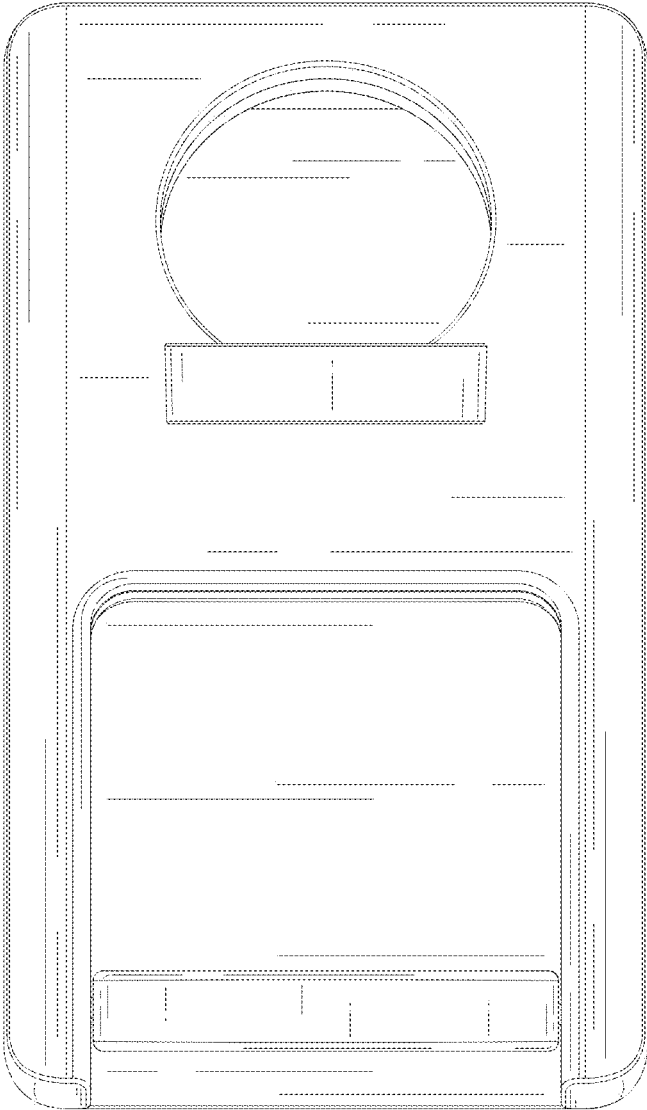


FIG. 3

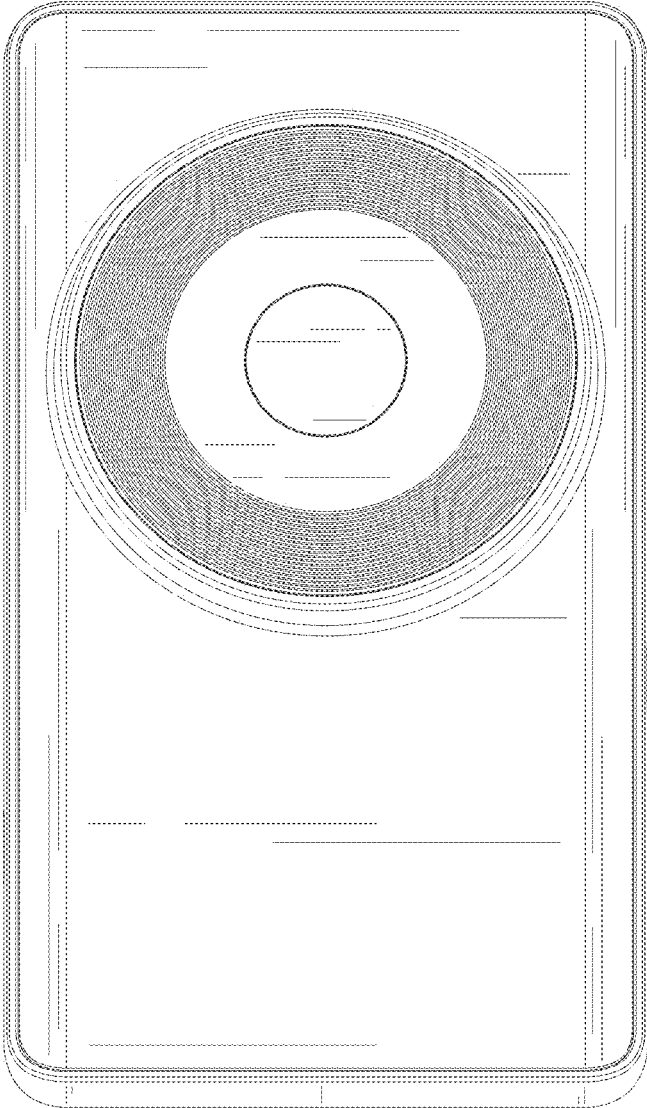


FIG. 4

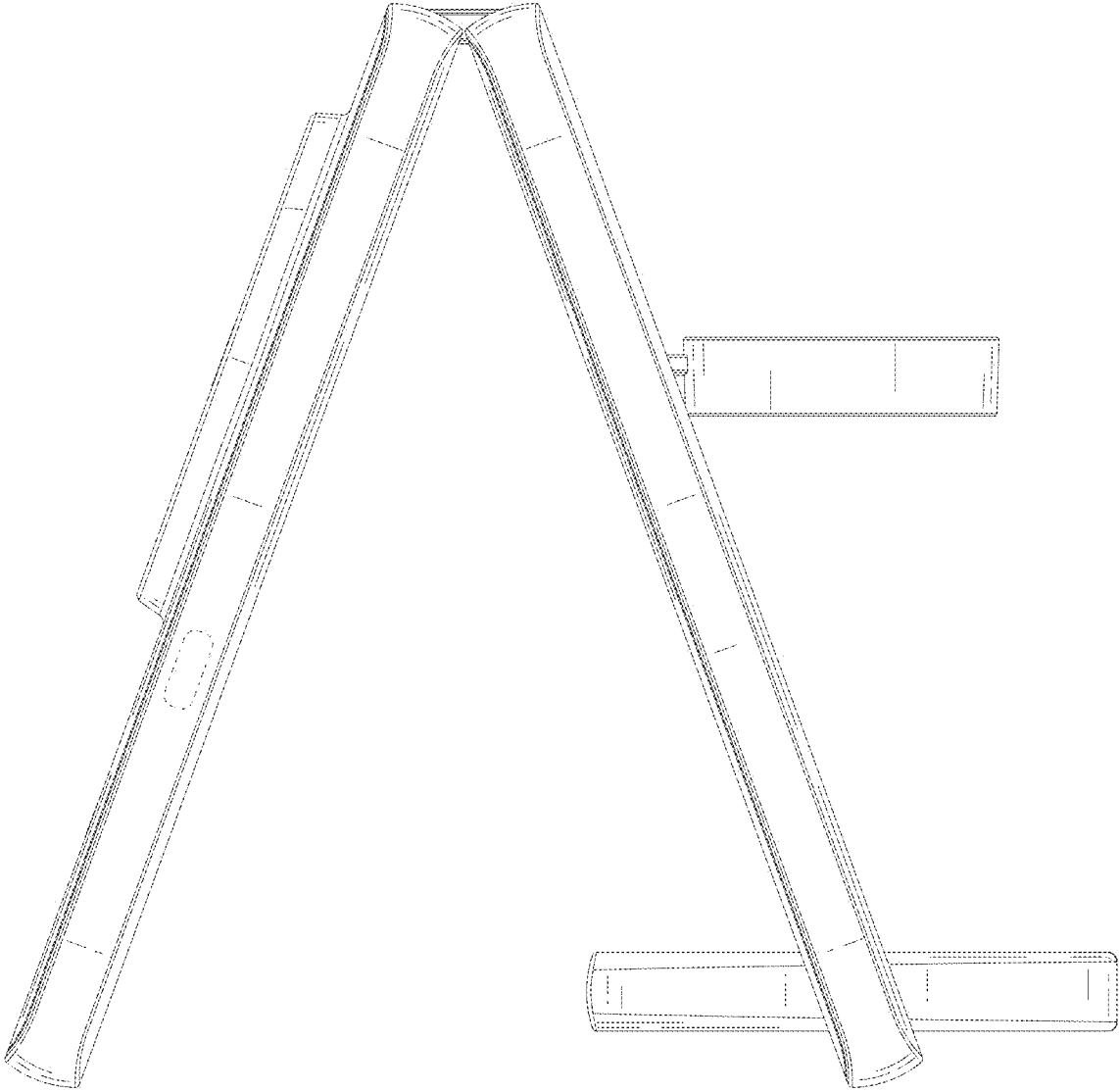


FIG. 5

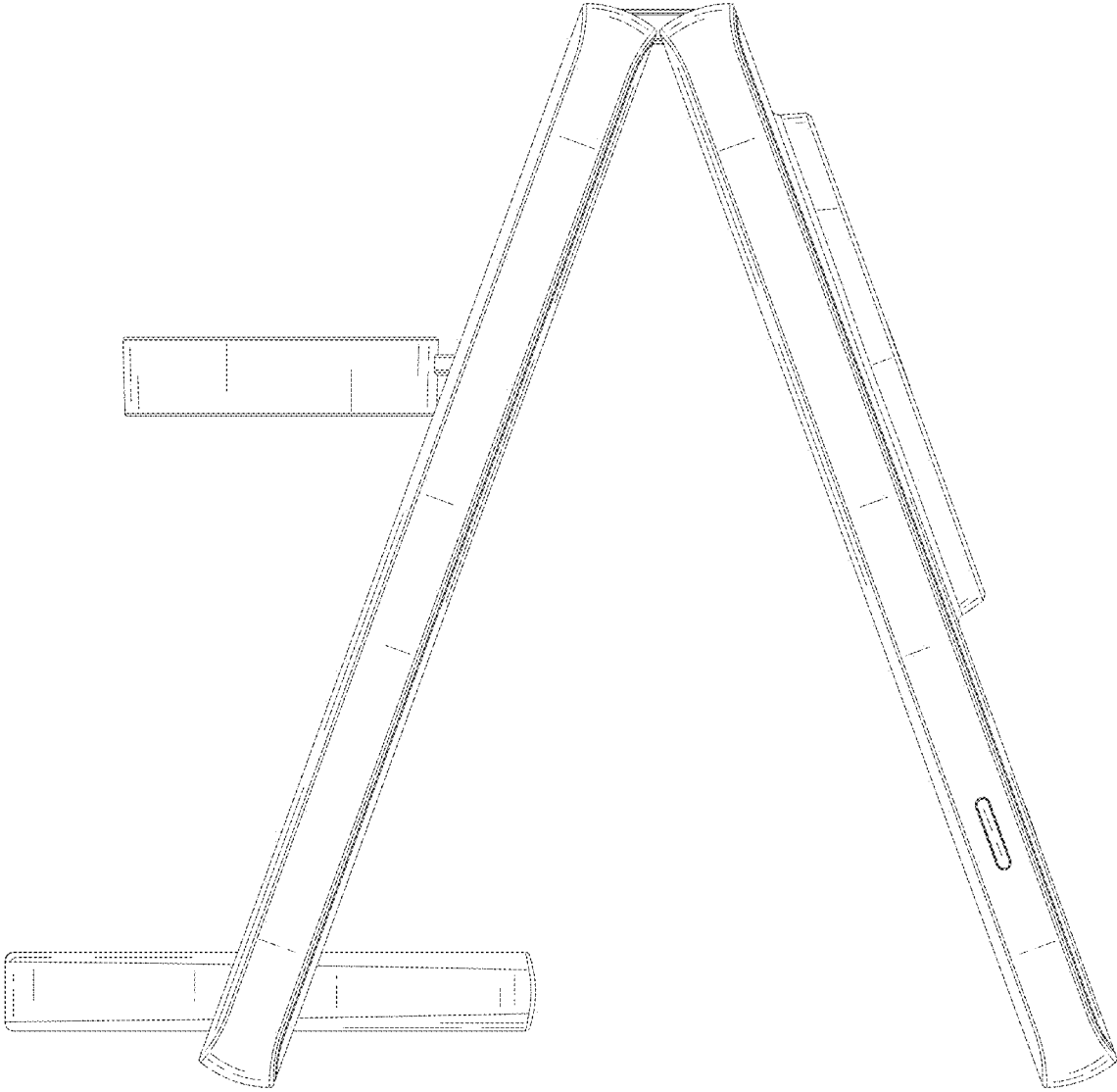


FIG. 6

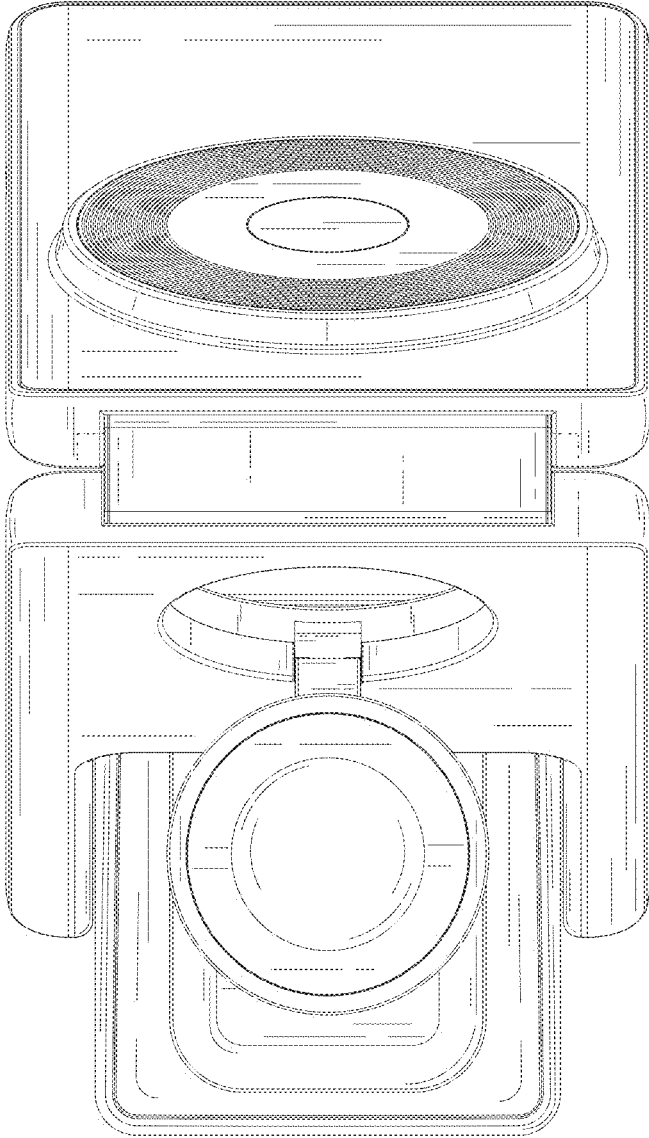


FIG. 7

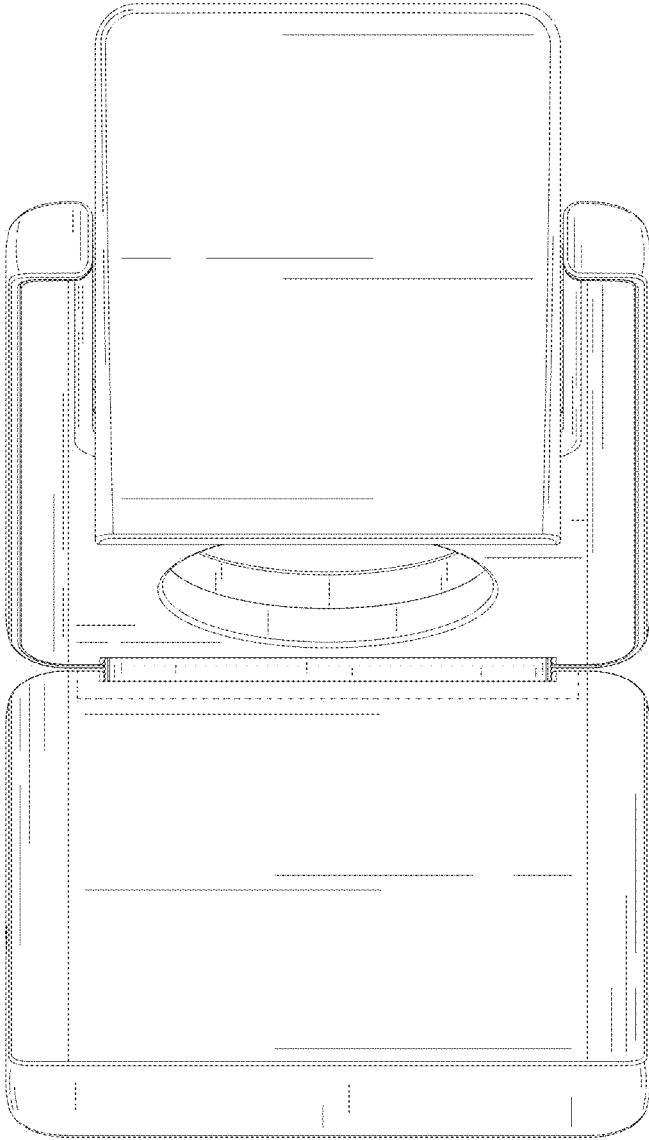


FIG. 8

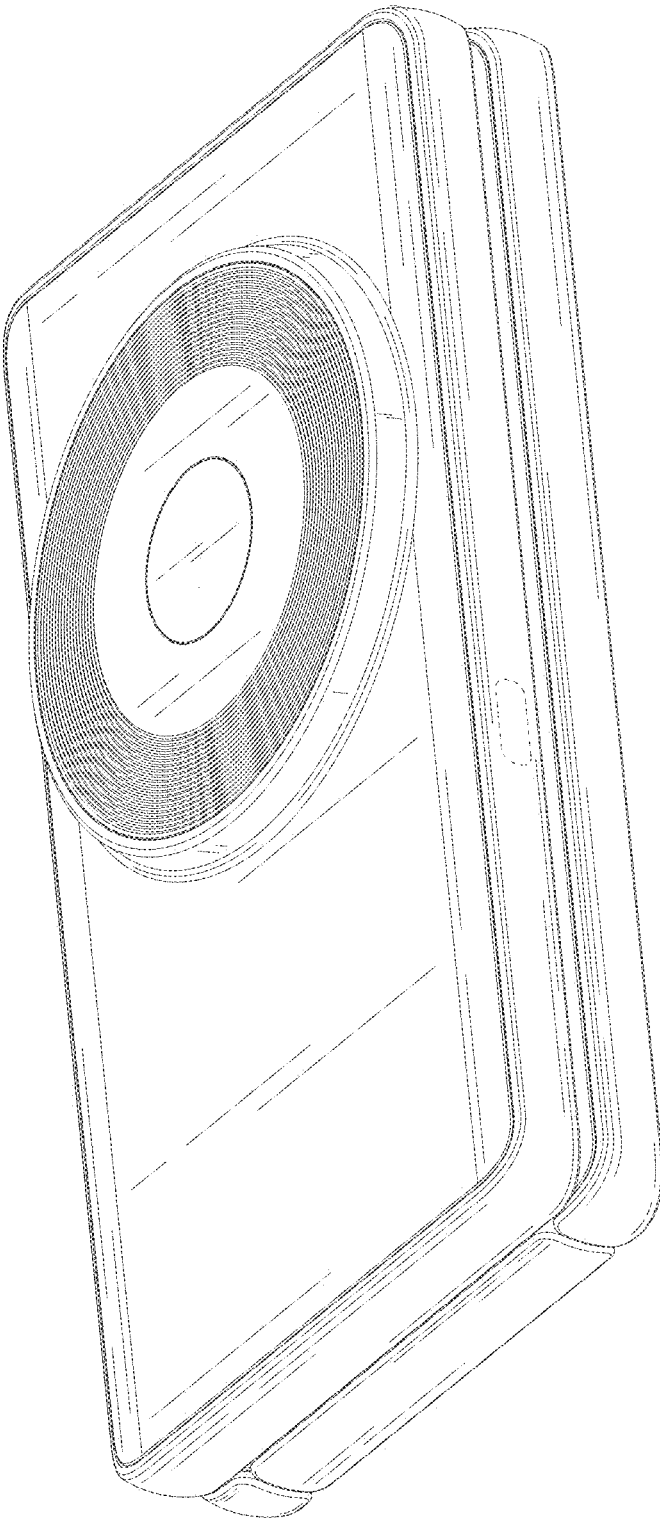


FIG. 9

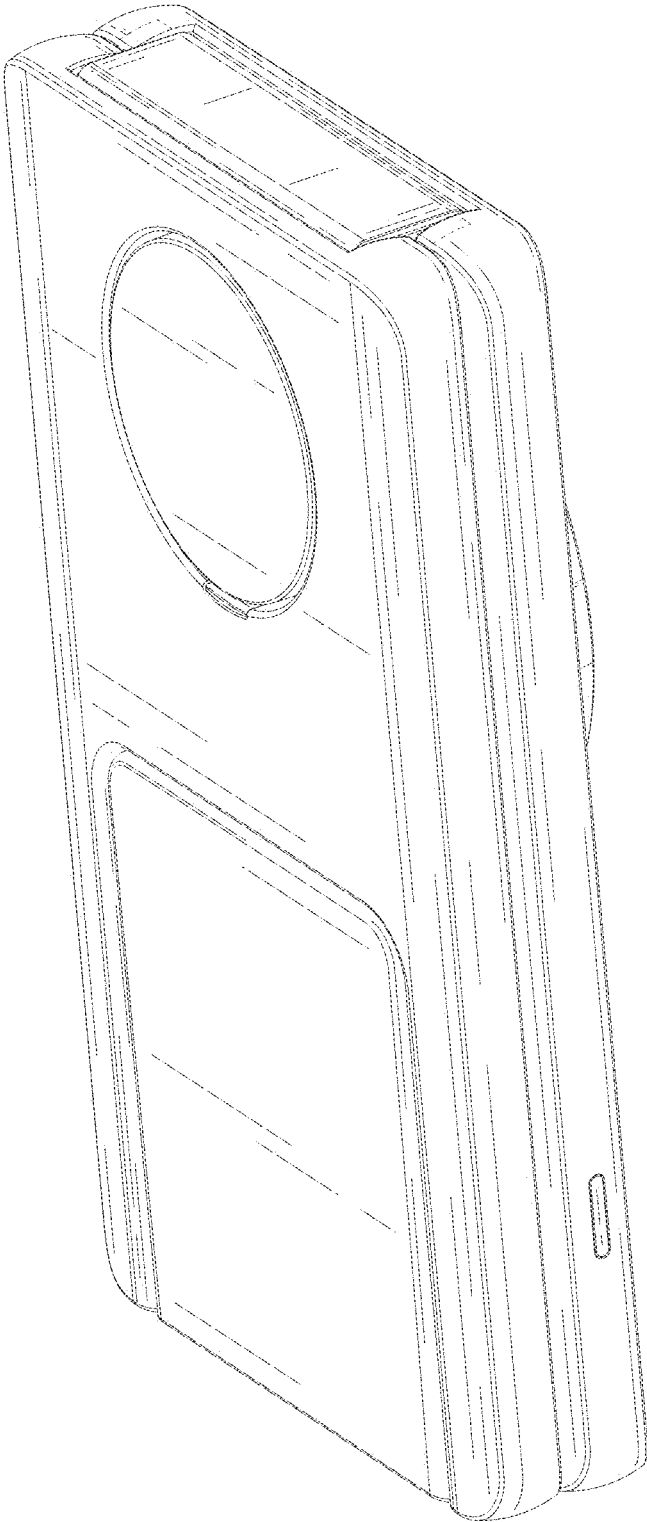


FIG. 10